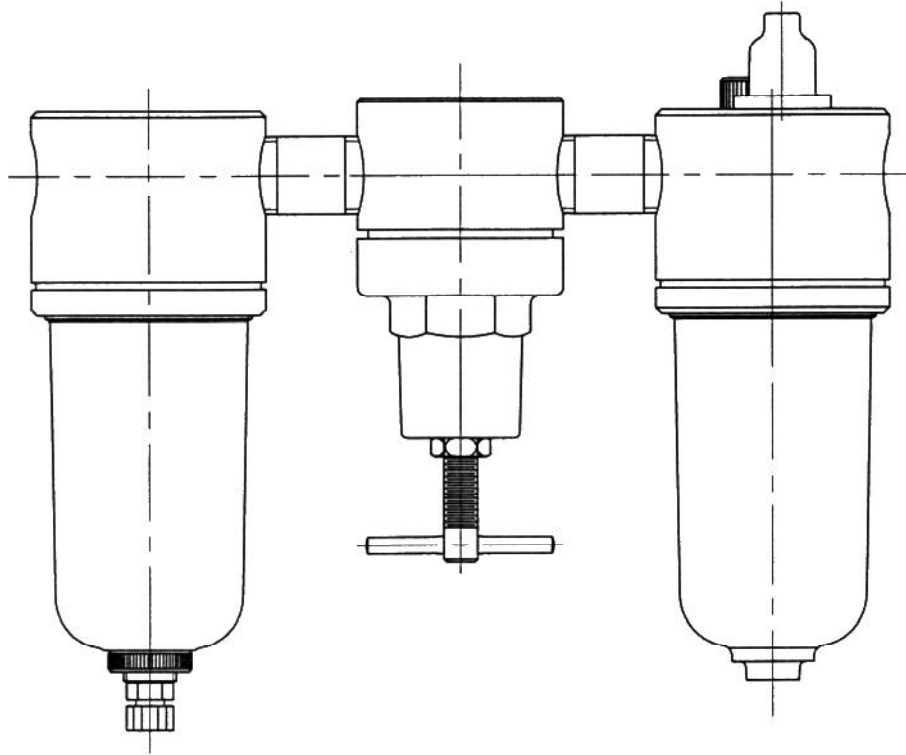


# airline COMBO

Where Custom Solutions Become Standard



## Application

To save valuable time and money, Monnier air preparation products can be assembled in several different standard combinations.

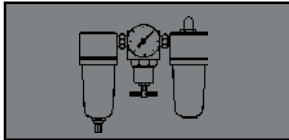
- Piggybacks containing integral filter/regulator combinations are ideal to cut down on the piping and fittings required to hook up a system.
- Duo-Combinations contain inline filters, regulators and/or lubricators and can be set up in a variety of combinations.
- Monnier Filters, Regulators and Lubricators are configured together in the Trio-Combinations.

## Function

Properly conditioned air consists of a series of operations – filtration, regulation and lubrication in most cases (in dry service, pneumatic components do not require lubrication). By preassembling Monnier air preparation products, the function and benefit of each component is realized in a myriad of customer specified arrangements. Installing the components together assures solid and liquid contaminants are removed, the air is regulated at the proper pressure and when necessary the proper ratio of oil to air will be maintained. Greater detail on the functionality of each individual component is supplied in the Filter, Regulator and Lubricator sections of the catalog.

## Benefits

- Reduced setup time
- Insures properly conditioned air
- New threaded bowl option on 8 oz bowls for easy maintenance

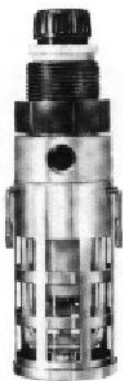


## INTEGRAL FILTER/REGULATORS

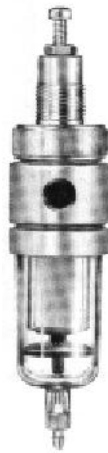
When the application requires mounting of air controls in a cabinet or reduced piping in a system, the Monnier Integral units are the ideal choice. Regulators are combined with either standard air filters or with oil-coalescing filters. There is no sacrifice in the performance of any part of these combinations when the piggybacks are utilized.

## MINIATURE FILTER/REGULATORS

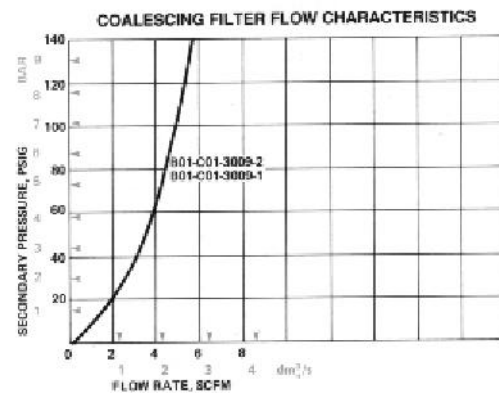
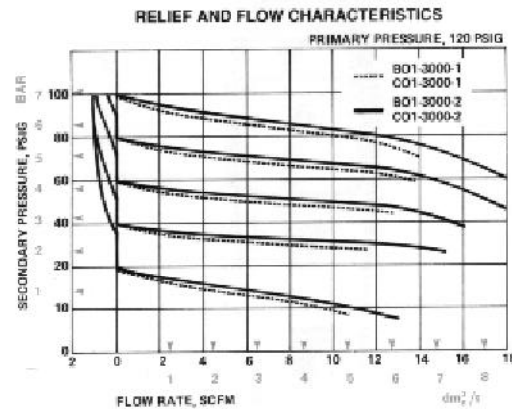
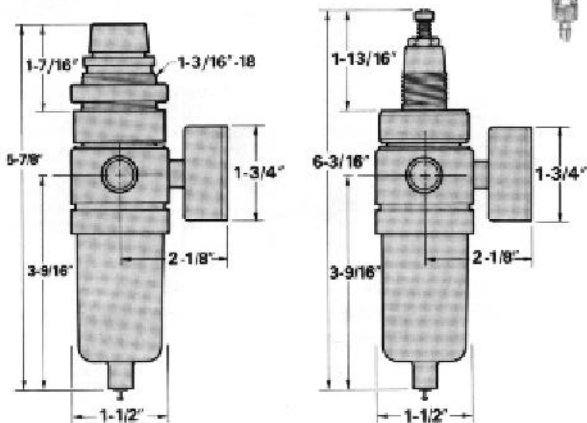
1-OUNCE CAPACITY  
 POLYCARBONATE OR METAL BONNET  
 POLYCARBONATE OR METAL BOWL  
 PIPE SIZE" 1/8" OR 1/4"



Miniature air filter/regulator with plastic bonnet and bowl



Miniature oil-coalescing filter/regulator with metal bonnet, plastic bowl and automatic drain



Maximum Recommended Flow Rates  
 (Saturated Element, 2 PSI Drop)

Micron Rating	Pipe Size	POLYCARBONATE BOWL			Replacement Elements
		With Guard (23,581)	Without Guard	METAL BOWL	
<b>Polycarbonate Bonnet with Air Filters</b>					
20 (Std)	1/8"	B01-3100-1	B01-3000-1	B01-3200-1	23,004
	1/4"	B01-3100-2	B01-3000-2	B01-3200-2	
10	1/8"	B01-3101-1	B01-3001-1	B01-3201-1	23,025
	1/4"	B01-3101-2	B01-3001-2	B01-3201-2	
3	1/8"	B01-3102-1	B01-3002-1	B01-3202-1	23,024
	1/4"	B01-3102-2	B01-3002-2	B01-3202-2	
<b>Polycarbonate Bonnet with Oil-Coalescing Filters</b>					
0.3	1/8"	B01-3109-1	B01-3009-1	B01-3209-1	23,543
	1/4"	B01-3109-2	B01-3009-2	B01-3209-2	
<b>Metal Bonnet with Air Filters</b>					
20 (Std)	1/8"	C01-3100-1	C01-3000-1	C01-3200-1	23,004
	1/4"	C01-3100-2	C01-3000-2	C01-3200-2	
10	1/8"	C01-3101-1	C01-3001-1	C01-3201-1	23,025
	1/4"	C01-3101-2	C01-3001-2	C01-3201-2	
3	1/8"	C01-3102-1	C01-3002-1	C01-3202-1	23,024
	1/4"	C01-3102-2	C01-3002-2	C01-3202-2	
<b>Metal Bonnet with Oil-Coalescing Filters</b>					
0.3	1/8"	C01-3109-1	C01-3009-1	C01-3209-1	23,543
	1/4"	C01-3109-2	C01-3009-2	C01-3209-2	



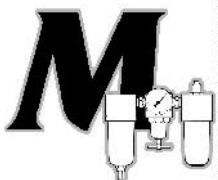
WARNING



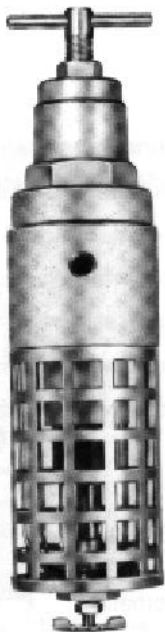
**POLYCARBONATE BOWLS CAN BE DAMAGED AND MAY FAIL IF THEY ARE EXPOSED TO, OR COME IN CONTACT WITH SOLVENTS, STRONG ALKALIES, FIRE RESISTANT AND/OR SYNTHETIC COMPRESSOR LUBRICANTS.**

**MAXIMUM PRESSURE AND TEMPERATURE IN POLYCARBONATE BOWL UNITS IS 150 PSI AND 120°F. METAL BOWL: 250 PSI, 200°F.**

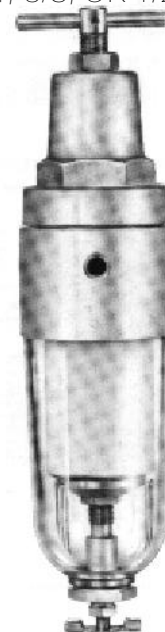
- To order with gauge, add suffix "G".
- To order any of the above with an impulse drain, add suffix "D".
- To order any of the above with adjustment knob, add suffix "K".



STANDARD AIR FILTER/REGULATOR  
5 AND 8-OUNCE CAPACITY  
POLYCARBONATE OR METAL BOWL  
PIPE SIZE: 1/4, 3/8, OR 1/2"



STANDARD OIL-COALESCING  
FILTER/REGULATOR  
5 AND 8-OUNCE CAPACITY  
POLYCARBONATE OR METAL BOWL  
PIPE SIZE: 1/4, 3/8, OR 1/2"



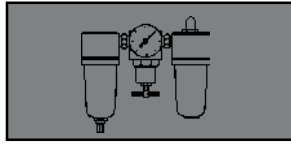
WARNING

**POLYCARBONATE BOWLS CAN BE DAMAGED AND MAY FAIL IF THEY ARE EXPOSED TO, OR COME IN CONTACT WITH SOLVENTS, STRONG ALKALIES, FIRE RESISTANT AND/OR SYNTHETIC COMPRESSOR LUBRICANTS.**

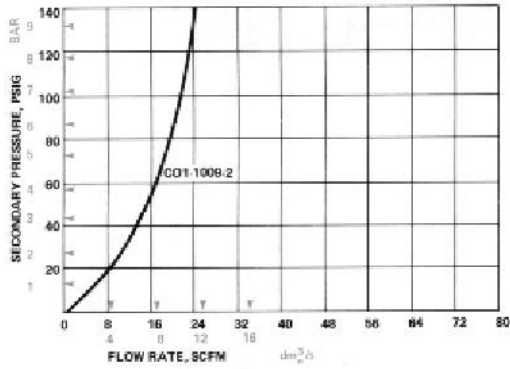
**MAXIMUM PRESSURE AND TEMPERATURE IN POLYCARBONATE BOWL UNITS IS 150 PSI AND 120°F. METAL BOWL: 250 PSI, 200°F.**

Micron Rating	Pipe Size	POLYCARBONATE BOWL		METAL BOWL		REPLACEMENT		
		With Bowl Guard	Without Bowl Guard	With Sight Level	Without Sight Level	Elements	Bowl Guard	Sight Level
<b>8 oz WITH AIR FILTERS</b>								
20 (Std)	1/4"	C01-1100-2	C01-1000-2	C01-1300-2	C01-1200-2	21,205	21,088	21,538
	3/8"	C01-1100-3	C01-1000-3	C01-1300-3	C01-1200-3			
	1/2"	C01-1100-4	C01-1000-4	C01-1300-4	C01-1200-4			
10	1/4"	C01-1101-2	C01-1001-2	C01-1301-2	C01-1201-2	21,036	21,088	21,538
	3/8"	C01-1101-3	C01-1001-3	C01-1301-3	C01-1201-3			
	1/2"	C01-1101-4	C01-1001-4	C01-1301-4	C01-1201-4			
3	1/4"	C01-1102-2	C01-1002-2	C01-1302-2	C01-1202-2	21,037	21,088	21,538
	3/8"	C01-1102-3	C01-1002-3	C01-1302-3	C01-1202-3			
	1/2"	C01-1102-4	C01-1002-4	C01-1302-4	C01-1202-4			
<b>5 oz WITH AIR FILTERS</b>								
20 (Std)	1/4"	C01-2100-2	C01-2000-2	C01-2300-2	C01-2200-2	22,205	22,089	21,538
	3/8"	C01-2100-3	C01-2000-3	C01-2300-3	C01-2200-3			
	1/2"	C01-2100-4	C01-2000-4	C01-2300-4	C01-2200-4			
10	1/4"	C01-2101-2	C01-2001-2	C01-2301-2	C01-2201-2	22,033	22,089	21,538
	3/8"	C01-2101-3	C01-2001-3	C01-2301-3	C01-2201-3			
	1/2"	C01-2101-4	C01-2001-4	C01-2301-4	C01-2201-4			
3	1/4"	C01-2102-2	C01-2002-2	C01-2302-2	C01-2202-2	22,032	22,089	21,538
	3/8"	C01-2102-3	C01-2002-3	C01-2302-3	C01-2202-3			
	1/2"	C01-2102-4	C01-2002-4	C01-2302-4	C01-2202-4			
<b>8 oz WITH OIL-COALESCING FILTERS</b>								
0.3	1/4"	C01-1109-2	C01-1009-2	C01-1309-2	C01-1209-2	21,545	21,088	21,538
	3/8"	C01-1109-3	C01-1009-3	C01-1309-3	C01-1209-3			
	1/2"	C01-1109-4	C01-1009-4	C01-1309-4	C01-1209-4			
<b>5 oz WITH OIL-COALESCING FILTERS</b>								
0.3	1/4"	C01-2109-2	C01-2009-2	C01-2309-2	C01-2209-2	21,545	22,089	21,538
	3/8"	C01-2109-3	C01-2009-3	C01-2309-3	C01-2209-3			
	1/2"	C01-2109-4	C01-2009-4	C01-2309-4	C01-2209-4			

To order with gauge add suffix "G". To order with automatic drain, add suffix "D". For impulse drain or suffix "F" for float drain. To order with adjustment knob, add suffix "K". To order with mounting bracket, add suffix "B". To order with panel mounting, add suffix "M" - Mounting threads 1-5/8-12, panel hole size 1-3/4"

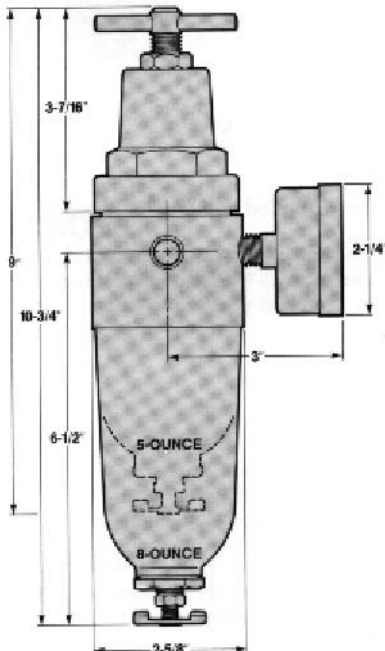
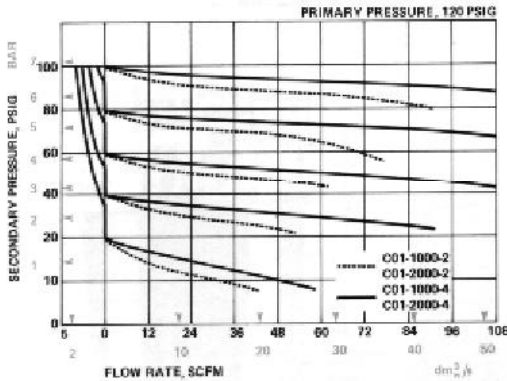


COALESCING FILTER FLOW CHARACTERISTICS



MAX RECOMMENDED FLOW RATE (With saturated element, 2 psi pressure drop)

RELIEF AND FLOW CHARACTERISTICS



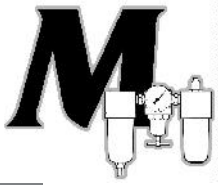
CHECK OUT THE LATEST FROM  
MONNIER, INC. ON OUR WEB SITE  
AT:

<http://www.monnier.com>

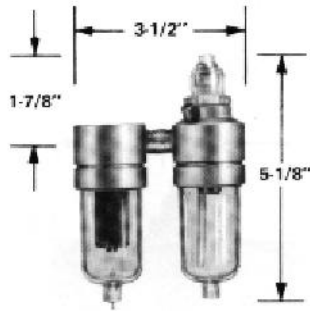
- What's New at Monnier
- New Product Catalog
- New Monnaie Modulares
- Distributors
- New AutoCAD Archives
- Application Form
- Employment Opportunities
- Email Monnier

**The site highlights the following areas:**

- **Product Catalog** - The complete M98 product catalog on the Internet.
- **What's New at Monnier** - A monthly update on what is going on at Monnier. Contains personnel, distributor, promotional information plus other items of interest.
- **Distributors** - A point and click map of the United States which allows the user to find their local Monnier distributor.
- **AutoCAD Archives** - Hundreds of AutoCAD files to download on Monnier Filters, Regulators, Lubricators, Combinations plus dozens of Assembly Drawings!
- **Application Form** - Typical application questions to answer for our Engineering Department.
- **Monnaie Modulares** - Highlights our new line of modular FRLs.
- **Employment Opportunities**
- **Email Monnier** - Sends an email to our Customer Service Department for a standard product or custom engineered air preparation solution.



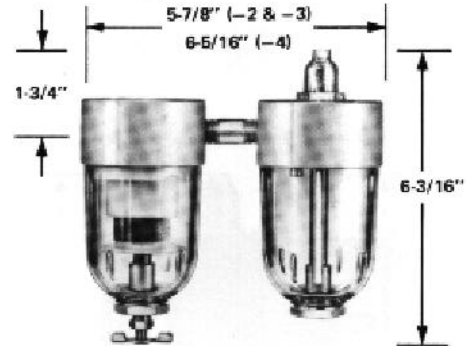
### MINIATURE 1-OUNCE CAPACITY



Pipe Size	POLYCARBONATE BOWL		METAL BOWL
	With Bowl Guard	Without Bowl Guard	
	<b>High-Flow</b>		
1/8"	23-3100-1	23-3000-1	23-3200-1
1/4"	23-3100-2	23-3000-2	23-3200-2
	<b>Low-Flow</b>		
1/8"	23-3150-1	23-3050-1	23-3250-1
1/4"	23-3150-2	23-3050-2	23-3250-2

To order with automatic drain, add suffix "D" for impulse drain.

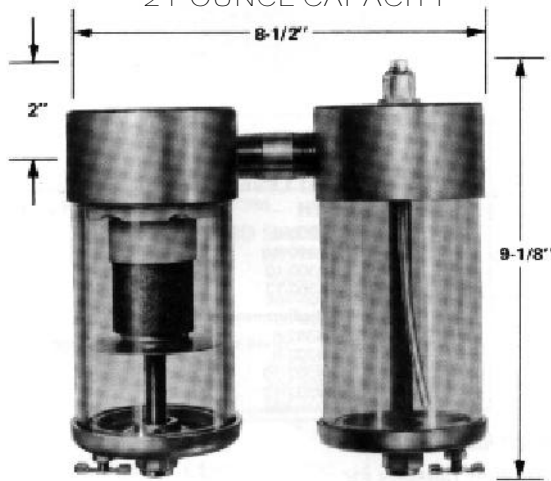
### COMPACT 5-OUNCE CAPACITY



Pipe Size	POLYCARBONATE BOWL		METAL BOWL	
	With Bowl Guard	Without Bowl Guard	With Sight Level	Without Sight Level
1/4"	23-2100-2	23-2000-2	23-2300-2	23-2200-2
3/8"	23-2100-3	23-2000-3	23-2300-3	23-2200-3
1/2"	23-2100-4	23-2000-4	23-2300-4	23-2200-4

To order with automatic drain, add suffix "D" for impulse drain or suffix "F" for float drain.

### STANDARD 21-OUNCE CAPACITY



WITH BOWL GUARD		WITHOUT BOWL GUARD	
Pipe Size	Model Number	Pipe Size	Model Number
3/4"	23-5100-6	3/4"	23-5000-6
1"	23-5100-8	1"	23-5000-8

To order with automatic drain, add suffix "D" for impulse drain or suffix "F" for float drain.

### STANDARD - ALL METAL 21-OUNCE CAPACITY



WITH SIGHT LEVEL		WITHOUT SIGHT LEVEL	
Pipe Size	Model Number	Pipe Size	Model Number
3/4"	23-5300-6	3/4"	23-5200-6
1"	23-5300-8	1"	23-5200-8

To order with automatic drain, add suffix "D" for impulse drain or suffix "F" for float drain.

**Specifications for all Duo-Combinations:** Filters have 20 micron elements. Lubricators have a tamper resistant device supplied.

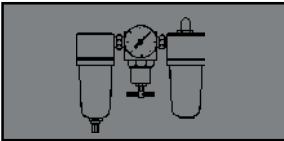


WARNING

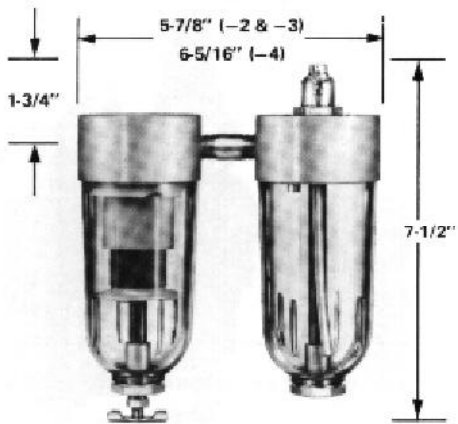


**MAXIMUM PRESSURE AND TEMPERATURE IN POLYCARBONATE BOWL UNITS IS 150 PSI AND 120°F. METAL BOWL: 250 PSI, 200°F.**

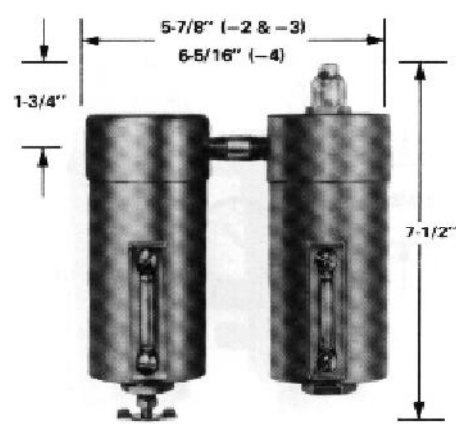
**POLYCARBONATE BOWLS CAN BE DAMAGED AND MAY FAIL IF THEY ARE EXPOSED TO, OR COME IN CONTACT WITH SOLVENTS, STRONG ALKALIES, FIRE RESISTANT AND/OR SYNTHETIC COMPRESSOR LUBRICANTS**



### STANDARD 8-OUNCE CAPACITY



### STANDARD - ALL METAL 8-OUNCE CAPACITY



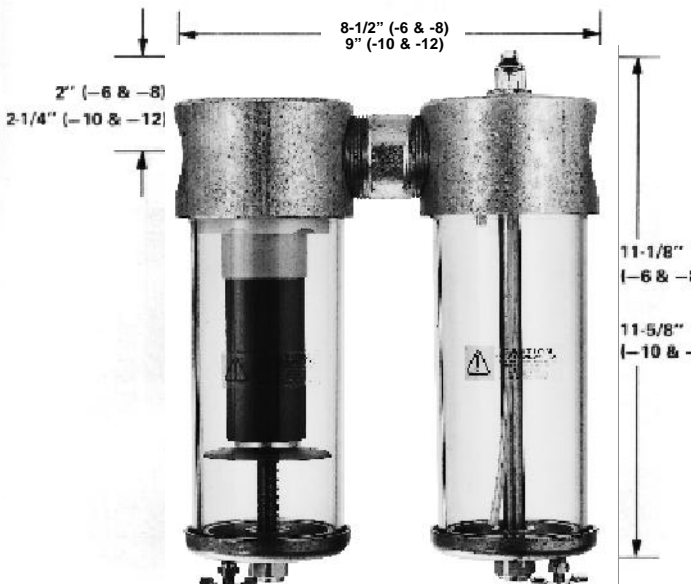
WITH BOWL GUARD		WITHOUT BOWL GUARD	
Pipe Size	Model Number	Pipe Size	Model Number
1/4"	23-1100-2	1/4"	23-1000-2
3/8"	23-1100-3	3/8"	23-1000-3
1/2"	23-1100-4	1/2"	23-1000-4

WITH SIGHT LEVEL		WITHOUT SIGHT LEVEL	
Pipe Size	Model Number	Pipe Size	Model Number
1/4"	23-1300-2	1/4"	23-1200-2
3/8"	23-1300-3	3/8"	23-1200-3
1/2"	23-1300-4	1/2"	23-1200-4

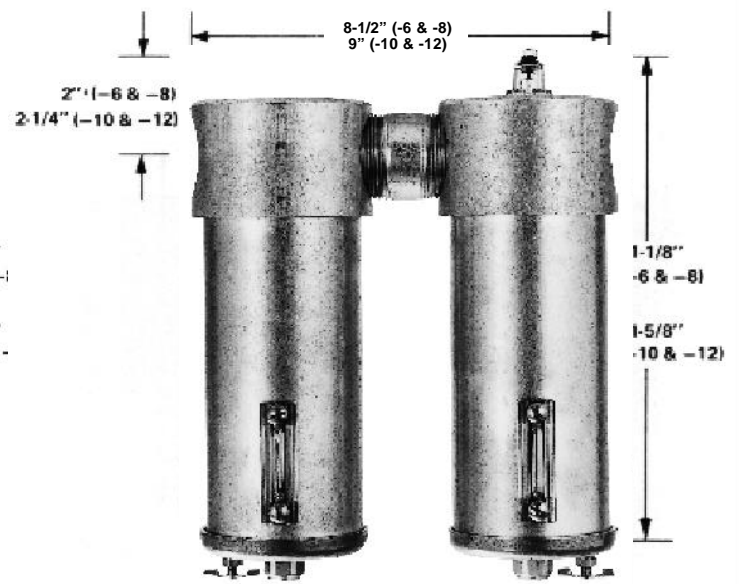
To order with automatic drain, add suffix "D" for impulse drain or suffix "F" for float drain.

To order with automatic drain, add suffix "D" for impulse drain or suffix "F" for float drain.

### HEAVY-DUTY 32-OUNCE CAPACITY



### HEAVY-DUTY - ALL METAL 32-OUNCE CAPACITY

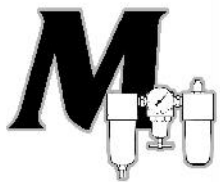


WITH BOWL GUARD		WITHOUT BOWL GUARD	
Pipe Size	Model Number	Pipe Size	Model Number
3/4"	23-4100-6	3/4"	23-4000-6
1"	23-4100-8	1"	23-4000-8
1-1/4"	23-4100-10	1-1/4"	23-4000-10
1-1/2"	23-4100-12	1-1/2"	23-4000-12

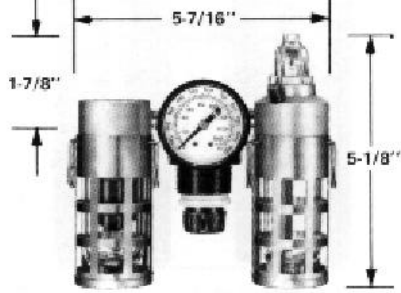
WITH SIGHT LEVEL		WITHOUT SIGHT LEVEL	
Pipe Size	Model Number	Pipe Size	Model Number
3/4"	23-4300-6	3/4"	23-4200-6
1"	23-4300-8	1"	23-4200-8
1-1/4"	23-4300-10	1-1/4"	23-4200-10
1-1/2"	23-4300-12	1-1/2"	23-4200-12

To order with automatic drain, add suffix "D" for impulse drain or suffix "F" for float drain.

To order with automatic drain, add suffix "D" for impulse drain or suffix "F" for float drain.



MINIATURE  
1-OUNCE CAPACITY



MINIATURE  
1-OUNCE CAPACITY



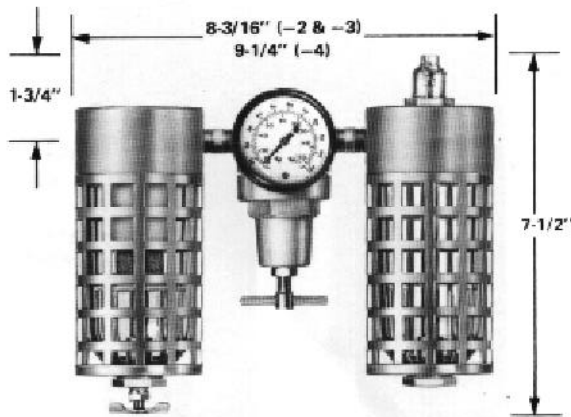
Pipe Size	POLYCARBONATE BOWL		METAL BOWL
	With Bowl Guard	Without Bowl Guard	
	<b>High-Flow</b>		
1/8"	213-3100-1	213-3000-1	213-3200-1
1/4"	213-3100-2	213-3000-2	213-3200-2
	<b>Low-Flow</b>		
1/8"	213-3150-1	213-3050-1	213-3250-1
1/4"	213-3150-2	213-3050-2	213-3250-2

- To order with automatic drain, add suffix "D" for impulse drain.

Pipe Size	POLYCARBONATE BOWL		METAL BOWL
	With Bowl Guard	Without Bowl Guard	
	<b>Polycarbonate Bonnet High-Flow</b>		
1/8"	B3-3100-1	B3-3000-1	B3-3200-1
1/4"	B3-3100-2	B3-3000-2	B3-3200-2
	<b>Metal Bonnet High-Flow</b>		
1/8"	C3-3100-1	C3-3000-1	C3-3200-1
1/4"	C3-3100-2	C3-3000-2	C3-3200-2
	<b>Polycarbonate Bonnet Low-Flow</b>		
1/8"	B3-3150-1	B3-3050-1	B3-3250-1
1/4"	B3-3150-2	B3-3050-2	B3-3250-2
	<b>Metal Bonnet Low-Flow</b>		
1/8"	C3-3150-1	C3-3050-1	C3-3250-1
1/4"	C3-3150-2	C3-3050-2	C3-3250-2

To order with automatic drain, add suffix "D".

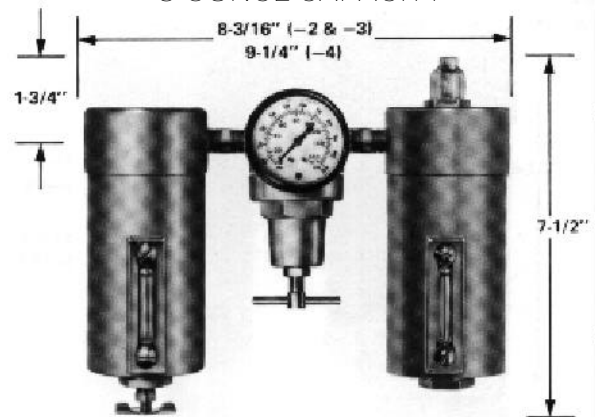
STANDARD



Pipe Size	WITH BOWL GUARDS		WITHOUT BOWL GUARDS	
	Model Number	Pipe Size	Model Number	Pipe Size
1/4"	213-1100-2	1/4"	213-1000-2	1/4"
3/8"	213-1100-3	3/8"	213-1000-3	3/8"
1/2"	213-1100-4	1/2"	213-1000-4	1/2"

To order with automatic drain, add suffix "D" for impulse drain or suffix "F" for float drain.

STANDARD - ALL METAL  
8-OUNCE CAPACITY



Pipe Size	WITH SIGHT LEVELS		WITHOUT SIGHT LEVELS	
	Model Number	Pipe Size	Model Number	Pipe Size
1/4"	213-1300-2	1/4"	213-1200-2	1/4"
3/8"	213-1300-3	3/8"	213-1200-3	3/8"
1/2"	213-1300-4	1/2"	213-1200-4	1/2"

To order with automatic drain, add suffix "D" for impulse drain or suffix "F" for float drain.

**Specifications for all Trio-Combinations:** Filters have 20 micron elements. Regulators are standard, relieving type, with an optimum secondary pressure range of 10 to 130 psi, with a 0 to 160 psi/metric gauge. Lubricators have a tamper resistant device supplied.

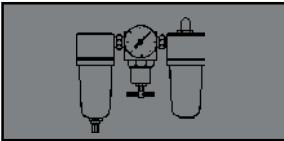


WARNING

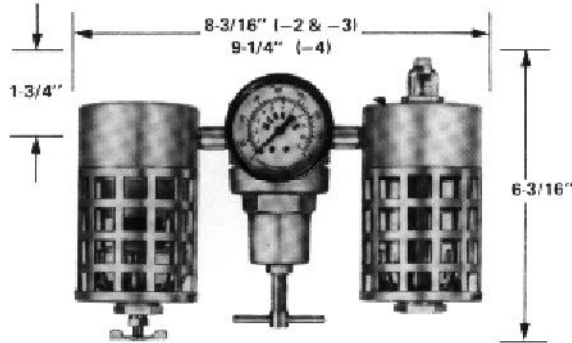


**MAXIMUM PRESSURE AND TEMPERATURE IN POLYCARBONATE BOWL UNITS IS 150 PSI AND 120°F. METAL BOWL: 250 PSI, 200°F.**

**POLYCARBONATE BOWLS CAN BE DAMAGED AND MAY FAIL IF THEY ARE EXPOSED TO, OR COME IN CONTACT WITH SOLVENTS, STRONG ALKALIES, FIRE RESISTANT AND/OR SYNTHETIC COMPRESSOR LUBRICANTS**



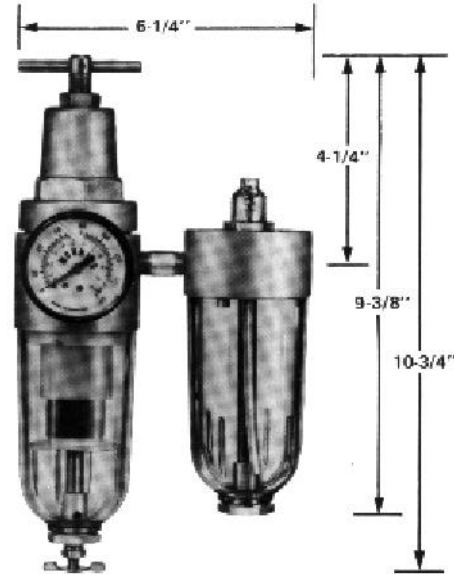
### COMPACT 5-OUNCE CAPACITY



Pipe Size	POLYCARBONATE BOWL		METAL BOWL	
	With Bowl Guard	Without Bowl Guard	With Sight Level	Without Sight Level
1/4"	213-2100-2	213-2000-2	213-2300-2	213-2200-2
3/8"	213-2100-3	213-2000-3	213-2300-3	213-2200-3
1/2"	213-2100-4	213-2000-4	213-2300-4	213-2200-4

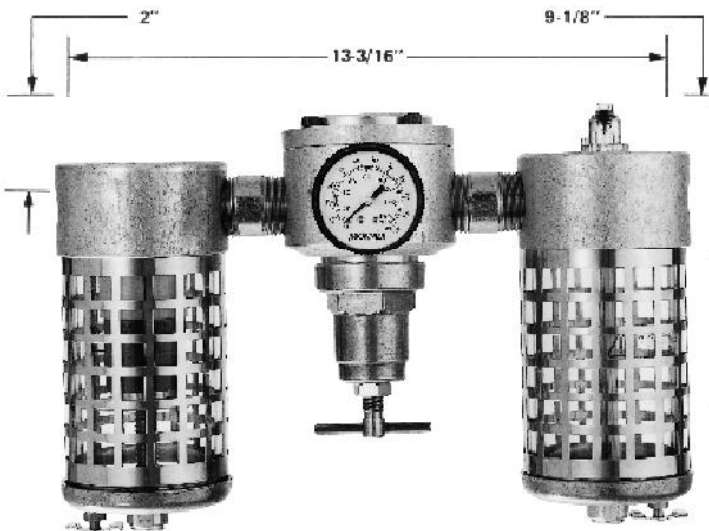
To order with automatic drain, add suffix "D" for impulse drain or suffix "F" for float drain.

### 5-OUNCE AND 8-OUNCE CAPACITY



Pipe Size	POLYCARBONATE BOWL		METAL BOWL	
	With Bowl Guard	Without Bowl Guard	With Sight Level	Without Sight Level
<b>1/2 - Pint</b>				
1/4"	C3-1100-2	C3-1000-2	C3-1300-2	C3-1200-2
3/8"	C3-1100-3	C3-1000-3	C3-1300-3	C3-1200-3
1/2"	C3-1100-4	C3-1000-4	C3-1300-4	C3-1200-4
<b>1/3 - Pint</b>				
1/4"	C3-2100-2	C3-2000-2	C3-2300-2	C3-2200-2
3/8"	C3-2100-3	C3-2000-3	C3-2300-3	C3-2200-3
1/2"	C3-2100-4	C3-2000-4	C3-2300-4	C3-2200-4

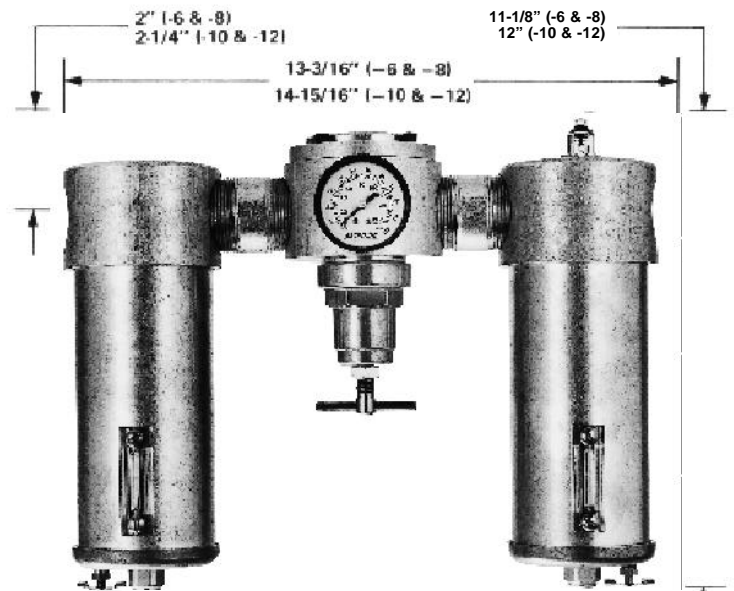
### STANDARD 21-OUNCE CAPACITY



Pipe Size	POLYCARBONATE BOWL		METAL BOWL	
	With Bowl Guard	Without Bowl Guard	With Sight Level	Without Sight Level
3/4"	213-5100-6	213-5000-6	213-5300-6	213-5200-6
1"	213-5100-8	213-5000-8	213-5300-8	213-5200-8

To order with automatic drain, add suffix "D" for impulse drain or suffix "F" for float drain.

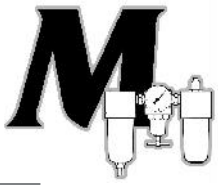
### HEAVY DUTY - ALL METAL 32-OUNCE CAPACITY



Pipe Size	POLYCARBONATE BOWL		METAL BOWL	
	With Bowl Guard	Without Bowl Guard	With Sight Level	Without Sight Level
3/4"	213-4100-6	213-4000-6	213-4300-6	213-4200-6
1"	213-4100-8	213-4000-8	213-4300-8	213-4200-8
1-1/4"	213-4100-10	213-4000-10	213-4300-10	213-4200-10
1-1/2"	213-4100-12	213-4000-12	213-4300-12	213-4200-12

To order with automatic drain, add suffix "D" for impulse drain or suffix "F" for float drain.

"Where Custom Solutions Become Standard"



## THREADED BOWLS

Introducing Monnier's New Threaded Bowls  
for our 8-Ounce Bowls on:

Filters  
Lubricators  
Duo-Combinations  
Trio-Combinations

*Now available with Polycarbonate Bowls with or without Bowl Guards,  
Metal Bowls with or without Sight Levels and Manual Drains and  
two Automatic Drain Options - Impulse or Float Drains.*



STANDARD  
THREADED BOWL  
8-OUNCE CAPACITY

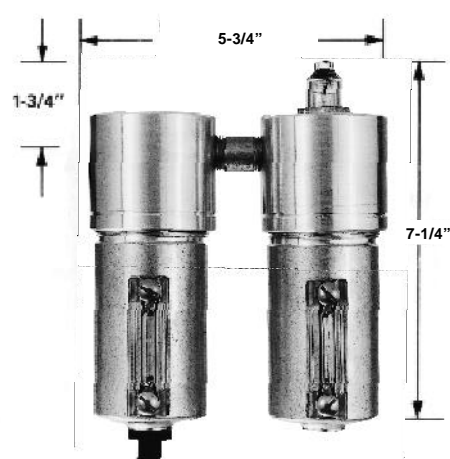


WITH BOWL GUARDS		WITHOUT BOWL GUARDS	
Pipe Size	Model Number	Pipe Size	Model Number
1/4"	FL-1100-2	1/4"	FL-1000-2
3/8"	FL-1100-3	3/8"	FL-1000-3
1/2"	FL-1100-4	1/2"	FL-1000-4

To order with automatic drain, add suffix "D" for impulse drain or suffix "F" for float drain.

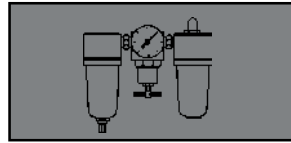


STANDARD - ALL METAL  
THREADED BOWL  
8-OUNCE CAPACITY

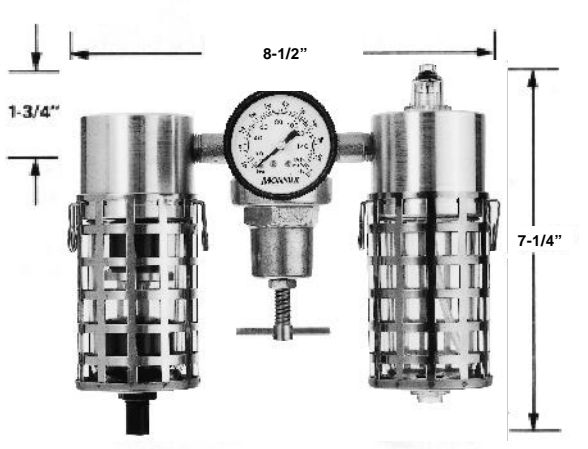


WITH SIGHT LEVELS		WITHOUT SIGHT LEVELS	
Pipe Size	Model Number	Pipe Size	Model Number
1/4"	FL-1300-2	1/4"	FL-1200-2
3/8"	FL-1300-3	3/8"	FL-1200-3
1/2"	FL-1300-4	1/2"	FL-1200-4

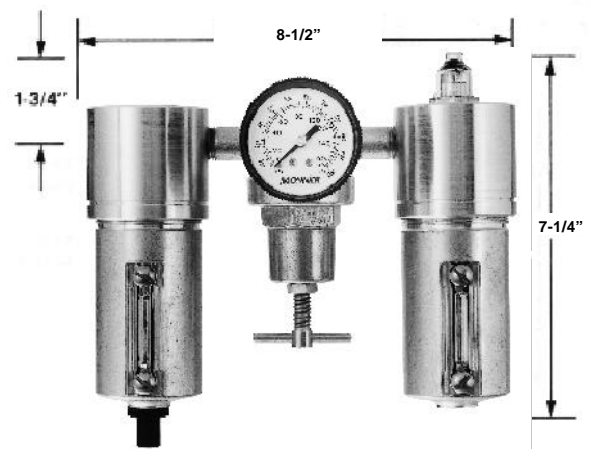
To order with automatic drain, add suffix "D" for impulse drain or suffix "F" for float drain.



**NEW** STANDARD  
THREADED BOWL  
8-OUNCE CAPACITY



**NEW** STANDARD - ALL METAL  
THREADED BOWL  
8-OUNCE CAPACITY



WITH BOWL GUARDS		WITHOUT BOWL GUARDS	
Pipe Size	Model Number	Pipe Size	Model Number
1/4"	FRL-1100-2	1/4"	FRL-1000-2
3/8"	FRL-1100-3	3/8"	FRL-1000-3
1/2"	FRL-1100-4	1/2"	FRL-1000-4

To order with automatic drain, add suffix "D" for impulse drain or suffix "F" for float drain.

WITH SIGHT LEVELS		WITHOUT SIGHT LEVELS	
Pipe Size	Model Number	Pipe Size	Model Number
1/4"	FRL-1300-2	1/4"	FRL-1200-2
3/8"	FRL-1300-3	3/8"	FRL-1200-3
1/2"	FRL-1300-4	1/2"	FRL-1200-4

To order with automatic drain, add suffix "D" for impulse drain or suffix "F" for float drain.

!
!

WARNING

POLYCARBONATE BOWLS CAN BE DAMAGED AND MAY FAIL IF THEY ARE EXPOSED TO, OR COME IN CONTACT WITH SOLVENTS, STRONG ALKALIES, FIRE RESISTANT AND/OR SYNTHETIC COMPRESSOR LUBRICANTS.

MAXIMUM PRESSURE AND TEMPERATURE IN POLYCARBONATE BOWL UNITS IS 150 PSI AND 120°F. METAL BOWL: 250 PSI, 200°F.

**Specifications for all Combinations:** **Filters** have 20 micron elements. **Regulators** are standard, relieving type, with an optimum secondary pressure range of 10 to 130 psi, with a 0 to 160 psi/metric gauge. **Lubricators** have a tamper resistant device supplied.