

NEW PRODUCTS

Monnier introduces two new families of products to augment the existing line of Monnier air preparation products. Reaffirming our position as a leader in the air preparation industry, Monnier's newest products have been designed with the user in mind: convenient pressure adjustment when desired; locked in pressure when needed.

108-1000 Regulators



The 108-1000 Regulators and the B05-1000 Integral Filter/Regulators are available in 1/4", 3/8" and 1/2" NPT or BSPP ports and offer:

- Convenient push to lock knob design. Push the knob down to lock in the desired pressure or pull the knob up to adjust.
- Knob and bonnet are constructed of heavy duty acetal and glass filled acetal.
- Black anodized aluminum components standard. Other colors available.
- Sleeker appearance due to the contours of the regulator and filter/regulator bodies.
- Two pressure ranges 0-50 PSIG and 0-150 PSIG.
- Mounting nut comes standard on all units for ease of installation.
- The B05-1000 is available with polycarbonate bowls (with or without bowl guards) or aluminum bowls (with or without sight levels) and with elements of three different micron ratings, 20, 10 and 3 μm .

For technical specifications and ordering information, please refer to the following pages.

B05-1000 Filter/Regulators



Where Custom Solutions Become Standard.

108-1000 Regulators

**NEW
SERIES**



Features

- Convenient push to lock knob design
- Acetal bonnet and knob
- Mounting nut comes standard
- Diaphragm design for minimal hysteresis and greater responsiveness
- Black anodizing standard (other colors available)
- Machined aluminum body
- Can be ordered with gauge

Operating Specifications

Gauge Ports: 1/4" NPT
Maximum Inlet Pressure: 250 PSIG
Temperature Rating: 0-175°F
Weight: 1.1 lbs.

Accessories & Kits

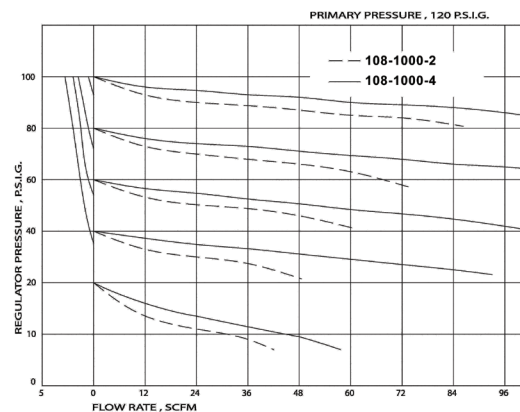
Mounting Bracket: 11430

REGULATOR KITS	0-50 PSI	0-150 PSI
Relieving (1/4 & 3/8):	11472	11470
Non-Relieving (1/4 & 3/8):	11473	11471
REGULATOR KITS	0-50 PSI	0-150 PSI
Relieving (1/2):	11482	11480
Non-Relieving (1/2):	11483	11481

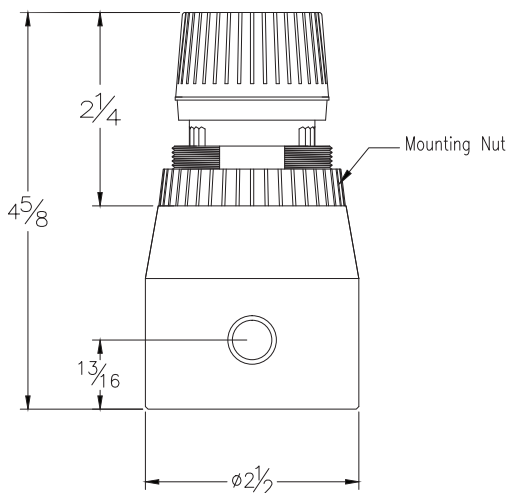
Materials of Construction

Body: Machined Aluminum
Bonnet: Glass Filled Acetal
Knob, Adjuster & Mounting Nut: Acetal
Diaphragm Gasket: Acetal
Springs: Music Wire
Spring Guide: Machined Aluminum
Seat: Brass
Poppet Assembly: Brass
Seals: Buna-N (Fluorocarbon available)

Relief & Flow Characteristics



Dimensions:



Mounting Threads: M48 X 1.5
Panel Hole Size: 1-57/64" (48mm)

Ordering Information

108-1000-4

Pressure Range	
0-150 Relieving	0
0-150 Non-Relieving	1
0-50 Relieving	2
0-50 Non-Relieving	3

OPTIONS	
Anodizing	
Black	Blank
Blue	A1
Clear	A3
Green	A4
Red	A5
Yellow	A6
Gold	A7
Purple	A8
Preset	P
Attachment Parts	
Gauge	G
Bracket	B
Seals	
Buna-N (Standard)	Blank
Fluorocarbon	V

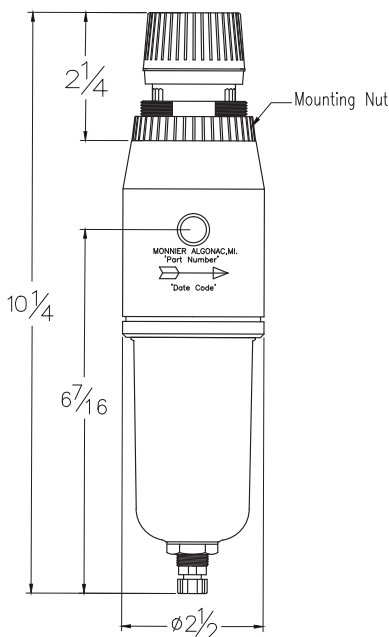
Pipe Size	
1/4	-2
3/8	-3
1/2	-4

B05-1000 Particulate Filter/Regulators

**NEW
SERIES**



Dimensions:



Mounting Threads: M48 X 1.5
Panel Hole Size: 1-57/64" (48mm)

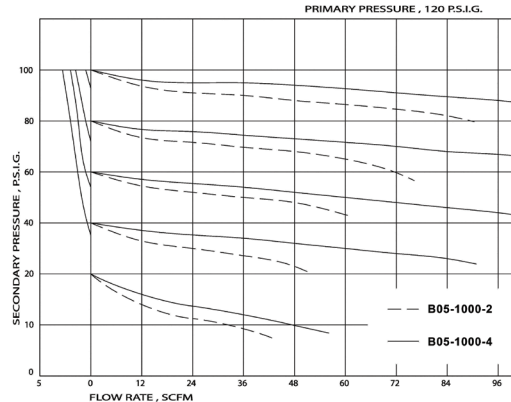
Features

- Convenient push to lock knob design
- Acetal bonnet and knob
- Mounting nut comes standard
- Diaphragm design for minimal hysteresis and greater responsiveness
- Black anodizing standard (other colors available)
- Machined aluminum body
- Manual, float or impulse drains available
- Aluminum or polycarbonate bowls available
- Can be ordered with gauge

Operating Specifications

Gauge Ports: 1/4" NPT
Maximum Inlet Pressure: 250 PSIG
Temperature Rating:
Polycarbonate Bowls: 0-120°F
Metal Bowls: 0-175°F
Weight: 2 lbs.

Relief & Flow Characteristics



Materials of Construction

Body: Machined Aluminum
Bonnet: Glass Filled Acetal
Knob, Adjuster & Mounting Nut: Acetal
Diaphragm Gasket: Acetal
Springs: Music Wire
Spring Guide: Machined Aluminum
Seat: Brass
Poppet Assembly: Brass
Seals: Buna-N (Fluorocarbon available)
Whirl Disc: Aluminum
Element: Phenolic Impregnated Acrylic Fiber
Stud: Zinc Plated Steel
Manual Drain: Polycarbonate
Float Drain: Acetal and Stainless Steel
Impulse Drain: Machined Aluminum, Brass and Buna-N (Fluorocarbon available)

Accessories & Kits

ELEMENTS:

20 Micron: 21205
10 Micron: 21036
3 Micron: 21037

Mounting Bracket: 11430

REGULATOR KITS: 0-50 PSI 0-150 PSI
Relieving: 11472 11470
Non-Relieving: 11473 11471

BOWL KITS:

Polycarbonate Bowl Kit: 21567
Polycarbonate Bowl Kit w/ Float Drain: 21572
Metal Bowl Kit w/ Float Drain: 21582
Metal Bowl Kit: 21580
Metal Bowl with Sight Level Kit (Polycarbonate/Trogamid): 21581P or 21581T
Metal Bowl Kit w/ Float Drain & Sight Level: 21583P or 21583T

Ordering Information

B05-1000-2

Bowl Type	
Polycarbonate	0
Polycarbonate w/ Guard	1
Metal	2
Metal w/ Sight Level	3

Pressure Range	
0-150 Relieving	0
0-150 Non-Relieving	1
0-50 Relieving	2
0-50 Non-Relieving	3

Elements	
20 Micron	0
10 Micron	1
3 Micron	2

Pipe Size	
1/4	-2
3/8	-3
1/2	-4

OPTIONS

Anodizing	
Black	Blank
Blue	A1
Clear	A3
Green	A4
Red	A5
Yellow	A6
Gold	A7
Purple	A8
Preset	P
Attachment Parts	
Gauge	G
Bracket	B
Seals	
Buna-N (Standard)	Blank
Fluorocarbon	V
Drain	
Manual	Blank
Float (Internal)	F
Impulse (External)	D

M0811A



108-1000
Regulators



B05-1000
Filter/Regulators

Monnier is known as the manufacturer
"Where Custom Solutions Become Standard."
Our expertise at developing application
specific, custom product is unparalleled
in the fluid power industry.

**For more information on our standard
products or custom development
capabilities please call or email us.**

