



Lubricators

Many pneumatic components require oil lubrication for proper operation and long service life. The proper use of a lubricator can greatly extend the life of expensive downstream pneumatic machinery. Monnier lubricators are used to maintain the proper ratio of oil and air in order to maximize the performance of pneumatic machinery.

Monnier lubricators are available in pipe sizes between 1/8 and 1 1/2" NPT and bowls between 1 and 32 ounces.

Optional Components

Tamperproof Capability: Each Monnier lubricator is supplied with a 3/16" diameter ball that may be pressed into the top of the sight dome adjustment area after the oil rate is set. This prevents any further adjustment by unauthorized personnel.

Quick Fill Option: A quick fill fitting may replace the fill plug to allow the user to pump lubricant into the bowl.

Anodizing: Units can be anodized any of 8 colors (Colors available: blue, black, clear, green, red, yellow, gold and purple).

Mounting Holes: Mounting holes are options that can be incorporated into any of the lubricators.

Bowl Options: Polycarbonate bowls, aluminum bowls, sight levels, and bowl guards are available depending on the product family.

Knurled Adjustment Knob: To add a knurled adjustment knob on any lubricator, change the seventh number from "0" to "2".

Ex: 304-1002-2.

Specifications

Maximum Pressure:

Polycarbonate Bowls: 150 PSI

Metal Bowls: 250 PSI

Maximum Temperature:

Polycarbonate Bowls: 120°F

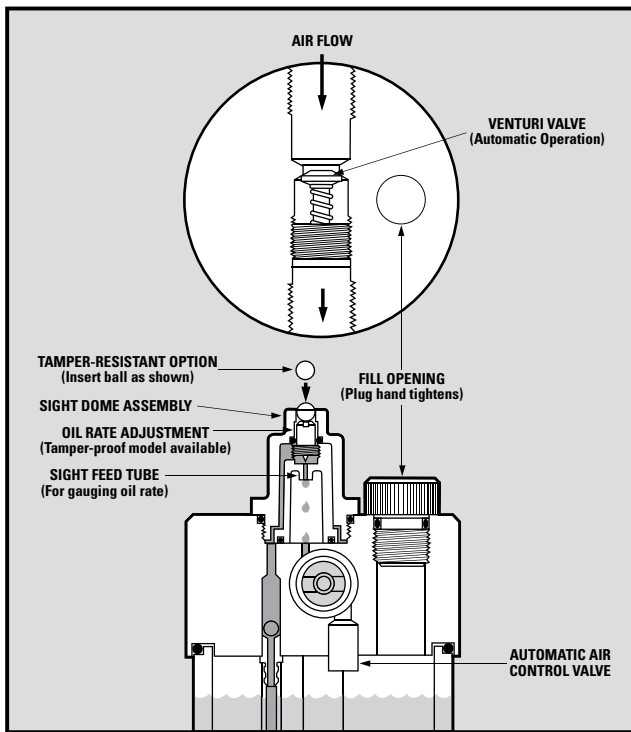
Metal Bowls: 200°F

Pipe Size:

1/8"-1-1/2" NPT

TABLE OF CONTENTS

3000 Miniature Series	1/8 & 1/4	3
2000 Compact Series	1/4, 3/8 & 1/2	4
305-1000 Standard Series	1/4, 3/8 & 1/2	5
304-1000 Standard Series	1/4, 3/8 & 1/2	6
304-4000 Large Capacity Series	1/4, 3/8 & 1/2	7
303-5000 Large Capacity Series	3/4 & 1	8
303-4000 Large Capacity Series	3/4, 1, 1 1/4 & 1 1/2	9



Caution

Bowl guards are recommended on all polycarbonate bowl filters! All bowl guards are made of heavy-duty stainless steel.

Warning

Polycarbonate bowls can be damaged and may fail if they are exposed to or come in contact with solvents, strong alkalies, fire resistant and/or synthetic compressor lubricants.

WARRANTY: Monnier, Inc. warrants each product against defects in material and workmanship for a period of one year from the date of manufacture providing its use was in accordance with Monnier, Inc. recommendations. If the product fails to perform as warranted, Monnier, Inc. will, at its option, repair or replace the product free of charge. The company will not be liable for incidental or consequential damages. We make no other warranty, expressed or implied, including warranties of merchantability or fitness for a particular purpose.

LUBRICATORS: 305-3000 Miniature Series



Features

- Standard and low flow options available
- Stainless steel ball supplied with every lubricator to provide tamperproof capability
- Polycarbonate bowl or metal bowls available
- Bowl guard available with polycarbonate bowl

Operating Specifications

- Bowl Capacity:** 1 oz.
Maximum Pressure Ratings:
 - Metal Bowl: 250 PSI
 - Polycarbonate Bowl: 150 PSI
Temperature Ratings:
 - Metal Bowl: 0-200°F
 - Polycarbonate Bowl: 0-120°F
Weight: 136 g

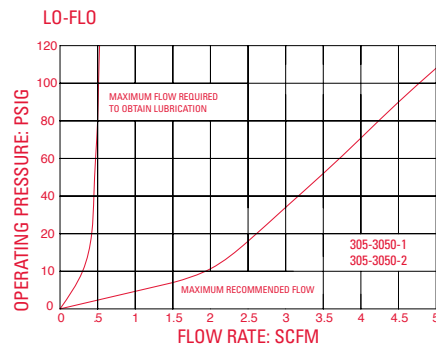
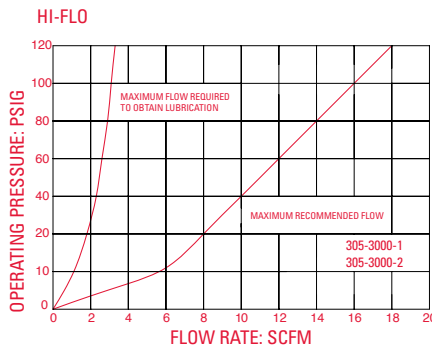
Materials of Construction

- Lubricator Head:** Machined Aluminum
Bowl: Polycarbonate or Machined Aluminum
Capacity Valve: Acetal
Capacity Valve Spring: Stainless Steel
Retainer: Zinc Dichromate Plated Steel
Adaptor Tube: Brass
Stem Relief Tube: Brass
Tamperproof Ball: Stainless Steel
Sight Dome: Polycarbonate or Trogamid
Oil Pick-Up Tube: Polyethylene
Bowl Guard: Stainless Steel
Oil Fill Plug: Machined Aluminum
Seals: Buna-N (Fluorocarbon Available)

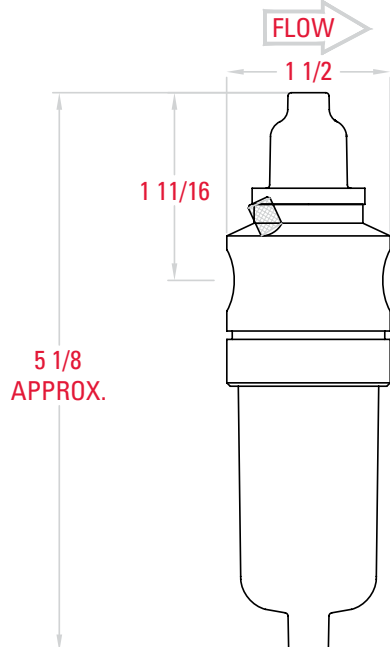
Accessories & Kits

- Bowl Kits:** Polycarbonate: 33509
 Metal: 33540
Sight Dome Kit: 31535 (Polycarbonate)
 31537 (Trogamid)

Flow Characteristics



Dimensions



Ordering Information

305-3000-1

Bowl Type	
Polycarbonate	0
Polycarbonate w/ Bowl Guard	1
Metal	2

Flow	
Standard	0
Low-Flow	5

Adjustment	
Slotted Screw	0
Knurled Knob	2

Pipe Size	
1/8"	1
1/4"	2

OPTIONS

Anodizing	
No Anodizing	Blank
Blue	A1
Black	A2
Clear	A3
Green	A4
Red	A5
Yellow	A6
Gold	A7
Purple	A8

Drain	
Manual	MD

Seals	
Buna-N	Blank
Fluorocarbon	V

Mounting Hole	
Two 1/4-20 mounting holes on top surface	MH
1/4 NPT mounting hole on side	MS

Sight Level and Dome	
Polycarbonate	Blank
Trogamid	T

LUBRICATORS: 304-2000 Compact Series



Features

- Automatic air control valve allows lubricator to be filled while in operation
- Compact size with five ounce bowl
- Stainless steel ball supplied with every lubricator to make any slotted screw adjusting lubricator tamperproof
- Quick fill option via a "Q" fitting in the lubricator head or base of the bowl
- Polycarbonate bowl or metal bowl available
- Bowl guard available with polycarbonate bowl
- Sight level available with metal bowl
- Tie-rod construction

Operating Specifications

- Bowl Capacity:** 5 oz.
- Maximum Pressure Ratings:**
- Metal Bowl: 250 PSI
 - Polycarbonate Bowl: 150 PSI
- Temperature Ratings:**
- Metal Bowl: 0-200°F
 - Polycarbonate Bowl: 0-120°F

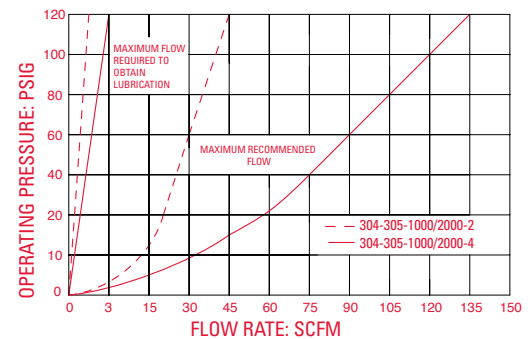
Accessories & Kits

- Bowl Kits:**
- Polycarbonate: 22520
 - Metal: 22537
 - Metal with Sight Level: 22521 (Polycarbonate) or 22521 (Trogamid)
- Sight Dome:**
- 31535 (Polycarbonate) or 31537 (Trogamid)

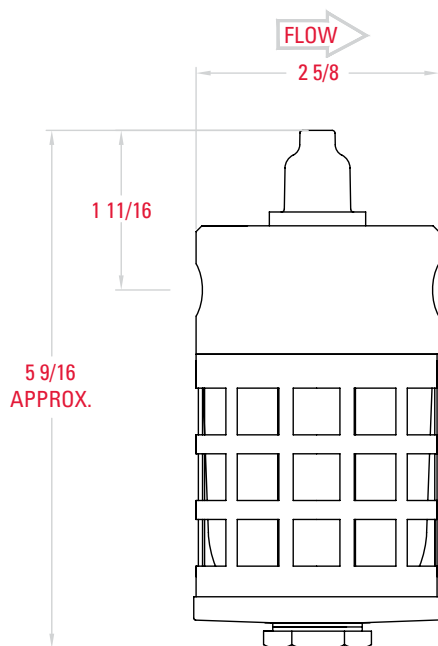
Materials of Construction

- Lubricator Head:** Machined Aluminum
- Bowl:** Polycarbonate or Machined Aluminum
- Capacity Valve:** Acetal
- Spring:** Stainless Steel
- Oil Adaptor:** Brass
- Ferrule:** Machined Aluminum
- Seals:** Buna-N (Fluorocarbon Available)
- Tamperproof Ball:** Stainless Steel
- Sight Level and Sight Dome:** Polycarbonate or Trogamid
- Oil Pick-Up Tube:** Polyethylene
- Bowl Guard:** Stainless Steel
- Oil Fill Plug:** Machined Aluminum

Flow Characteristics



Dimensions



Ordering Information

304-2000-4

Bowl Type	
Polycarbonate	0
Polycarbonate w/ Bowl Guard	1
Metal	2
Metal w/Sight Level	3

Adjustment	
Slotted Screw	0
Knurled Knob	2

Pipe Size	
1/4"	2
3/8"	3
1/2"	4

OPTIONS

Anodizing	
No Anodizing	Blank
Blue	A1
Black	A2
Clear	A3
Green	A4
Red	A5
Yellow	A6
Gold	A7
Purple	A8
Drain	
No Drain	Blank
Twist	MD
Seals	
Buna-N	Blank
Fluorocarbon	V
Mounting Hole	
Two 1/4-20 mounting holes on top surface	MH
1/4 NPT mounting hole on side	MS
Sight Level and Dome	
Polycarbonate	Blank
Trogamid	T
Fill/Drain Options	
Q Fitting on Head	QT
Q Fitting on Base of Bowl	QB

LUBRICATORS: 305-1000 Standard Series



Features

- Automatic air control valve allows lubricator to be filled while in operation
- Threaded bowl for ease of maintenance
- Quick fill option via a "Q" fitting in the lubricator head
- Stainless steel ball supplied with every lubricator to make any slotted screw adjusting lubricator tamperproof
- Polycarbonate or metal bowl available
- Bowl guard available with polycarbonate bowl
- Sight level available with metal bowl

Operating Specifications

- Bowl Capacity:** 8 oz.
Maximum Pressure Ratings:
 - Metal Bowl: 250 PSI
 - Polycarbonate Bowl: 150 PSI
Temperature Ratings:
 - Metal Bowl: 0-200°F
 - Polycarbonate Bowl: 0-120°F

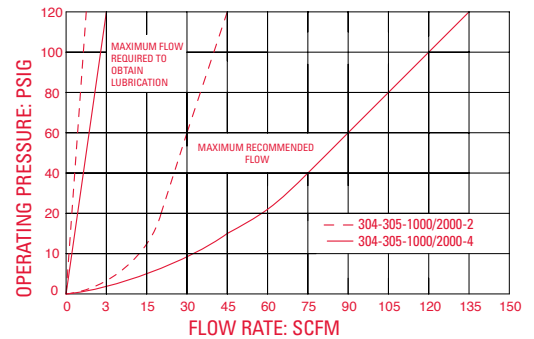
Accessories & Kits

- Bowl Kits:**
 Polycarbonate: 31046
 Metal: 31047
 Metal w/Sight Levels:
 31317 (Polycarbonate) or 31317 (Trogamid)
Sight Dome Kit:
 31535 (Polycarbonate) 31537 (Trogamid)

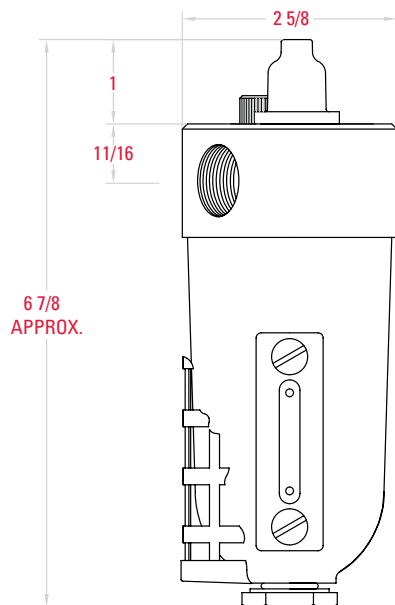
Materials of Construction

- Lubricator Head:** Machined Aluminum
Bowl: Polycarbonate or Machined Aluminum
Capacity Valve: Acetal
Spring: Stainless Steel
Oil Adaptor: Brass
Ferrule: Machined Aluminum
Tamperproof Ball: Stainless Steel
Sight Levels and Sight Dome: Polycarbonate or Trogamid
Oil Pick-Up Tube: Polyethylene
Bowl Guard: Stainless Steel
Oil Fill Plug: Machined Aluminum
Seals: Buna-N (Fluorocarbon Available)

Flow Characteristics



Dimensions



Ordering Information

305-1000-4

Bowl Type	
Polycarbonate	0
Polycarbonate w/ Bowl Guard	1
Metal	2
Metal w/Sight Level	3

Adjustment	
Slotted Screw	0
Knurled Knob	2

Pipe Size	
1/4"	2
3/8"	3
1/2"	4

OPTIONS

Anodizing	
No Anodizing	Blank
Blue	A1
Black	A2
Clear	A3
Green	A4
Red	A5
Yellow	A6
Gold	A7
Purple	A8
Drain	
No Drain	Blank
Seals	
Buna-N	Blank
Fluorocarbon	V
Mounting Hole	
Two 1/4-20 mounting holes on top surface	MH
1/4 NPT mounting hole on side	MS
Sight Level and Dome	
Polycarbonate	Blank
Trogamid	T
Fill/Drain Options	
Q Fitting on Head	QT

LUBRICATORS: 304-1000 Standard Series



Features

- Automatic air control valve allows lubricator to be filled while in operation
- Stainless steel ball supplied with every lubricator to make any slotted screw adjusting lubricator tamperproof
- Quick fill option via a "Q" fitting in the lubricator head or base of the bowl
- Polycarbonate bowl or metal bowl available
- Bowl guard available with polycarbonate bowl
- Sight level available with metal bowl
- Tie-rod construction

Operating Specifications

- Bowl Capacity:** 8 oz.
Maximum Pressure Ratings:
 - Metal Bowl: 250 PSI
 - Polycarbonate Bowl: 150 PSI
Temperature Ratings:
 - Metal Bowl: 0-200°F
 - Polycarbonate Bowl: 0-120°F

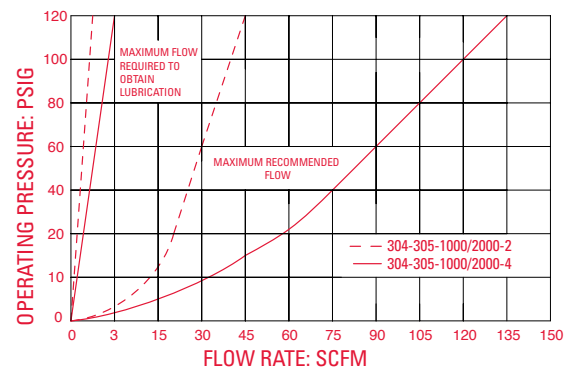
Accessories & Kits

- Bowl Kits:**
 Polycarbonate: 21557
 Metal: 21558
 Metal with Sight Level:
 21559 (Polycarbonate) or 21559 (Trogamid)
Sight Dome:
 31535 (Polycarbonate) or 31537 (Trogamid)

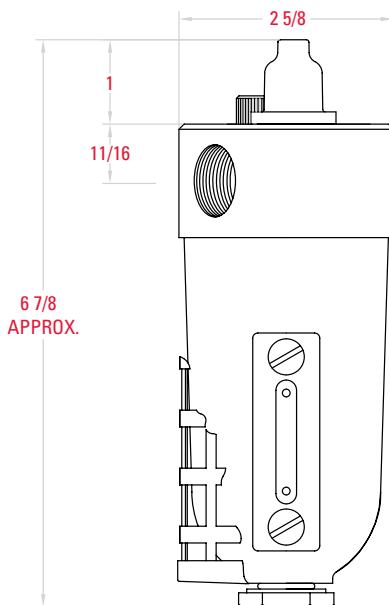
Materials of Construction

- Lubricator Head:** Machined Aluminum
Bowl: Polycarbonate or Machined Aluminum
Capacity Valve: Acetal
Spring: Stainless Steel
Oil Adaptor: Brass
Ferrule: Machined Aluminum
Seals: Buna-N (Fluorocarbon Available)
Tamperproof Ball: Stainless Steel
Sight Level and Sight Dome: Polycarbonate or Trogamid
Oil Pick-Up Tube: Polyethylene
Bowl Guard: Stainless Steel
Oil Fill Plug: Machined Aluminum

Flow Characteristics



Dimensions



Ordering Information

304-1000-4

Bowl Type	
Polycarbonate	0
Polycarbonate w/ Bowl Guard	1
Metal	2
Metal w/Sight Level	3

Adjustment	
Slotted Screw	0
Knurled Knob	2

Pipe Size	
1/4"	2
3/8"	3
1/2"	4

OPTIONS

Anodizing	
No Anodizing	Blank
Blue	A1
Black	A2
Clear	A3
Green	A4
Red	A5
Yellow	A6
Gold	A7
Purple	A8
Drain	
No Drain	Blank
Twist	MD
Seals	
Buna-N	Blank
Fluorocarbon	V
Mounting Hole	
Two 1/4-20 mounting holes on top surface	MH
1/4 NPT mounting hole on side	MS
Sight Level and Dome	
Polycarbonate	Blank
Trogamid	T
Fill/Drain Options	
Q Fitting on Head	QT
Q Fitting on Base of Bowl	QB

LUBRICATORS: 304-4000 Large Capacity Series



Features

- Automatic air control valve allows lubricator to be filled while in operation
- High flow capability with extended bowl
- Stainless steel ball supplied with every lubricator to make any slotted screw adjusting lubricator tamperproof
- Quick fill option via a "Q" fitting in the lubricator head or base of the bowl
- Polycarbonate bowl or metal bowl available
- Bowl guard available with polycarbonate bowl
- Sight level available with metal bowl
- Tie-rod construction

Operating Specifications

Bowl Capacity: 32 oz.

Maximum Pressure Ratings:

- Metal Bowl: 250 PSI
- Polycarbonate Bowl: 150 PSI

Temperature Ratings:

- Metal Bowl: 0-200°F
- Polycarbonate Bowl: 0-120°F

Accessories & Kits

Bowl Kits:

Polycarbonate: 24555

Metal: 24558

Metal with Sight Level:
24559 (Polycarbonate) or 24559 (Trogamid)

Sight Dome:

31535 (Polycarbonate) or 31537 (Trogamid)

Materials of Construction

Lubricator Head: Machined Aluminum

Bowl: Polycarbonate or Machined Aluminum

Capacity Valve: Acetal

Spring: Stainless Steel

Oil Adaptor: Brass

Ferrule: Machined Aluminum

Seals: Buna-N (Fluorocarbon Available)

Tamperproof Ball: Stainless Steel

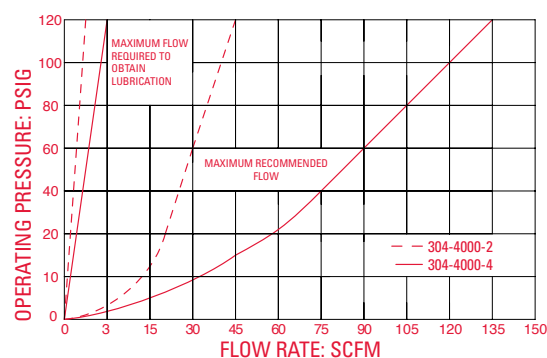
Sight Level and Sight Dome: Polycarbonate or Trogamid

Oil Pick-Up Tube: Polyethylene

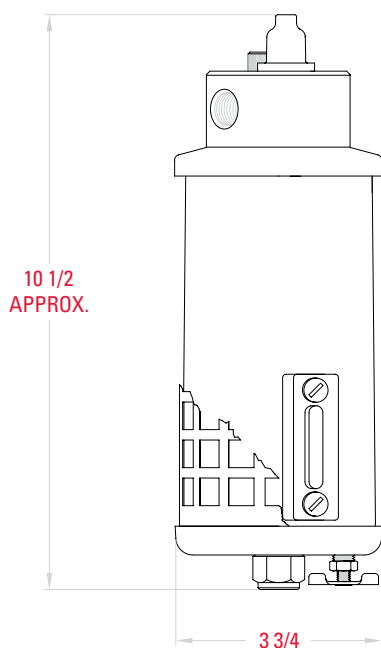
Bowl Guard: Stainless Steel

Oil Fill Plug: Machined Aluminum

Flow Characteristics



Dimensions



Ordering Information

304-4000-4

Bowl Type	
Polycarbonate	0
Polycarbonate w/ Bowl Guard	1
Metal	2
Metal w/Sight Level	3

Adjustment	
Slotted Screw	0
Knurled Knob	2

Pipe Size	
1/4"	2
3/8"	3
1/2"	4

OPTIONS

Anodizing	
No Anodizing	Blank
Blue	A1
Black	A2
Clear	A3
Green	A4
Red	A5
Yellow	A6
Gold	A7
Purple	A8
Drain	
No Drain	Blank
Twist	MD
Seals	
Buna-N	Blank
Fluorocarbon	V
Mounting Hole	
Two 1/4-20 mounting holes on top surface	MH
1/4 NPT mounting hole on side	MS
Sight Level and Dome	
Polycarbonate	Blank
Trogamid	T
Fill/Drain Options	
Q Fitting on Head	QT
Q Fitting on Base of Bowl	QB

LUBRICATORS: 303-5000 Large Capacity Series



Features

- Automatic air control valve allows lubricator to be filled while in operation
- High flow capability with extended bowl
- Stainless steel ball supplied with every lubricator to make any slotted screw adjusting lubricator tamperproof
- Quick fill option via a "Q" fitting in the lubricator head or base of the bowl
- Polycarbonate bowl or metal bowl available
- Bowl guard available with polycarbonate bowl
- Sight level available with metal bowl
- Tie-rod construction

Operating Specifications

- Bowl Capacity:** 21 oz.
Maximum Pressure Ratings:
 - Metal Bowl: 250 PSI
 - Polycarbonate Bowl: 150 PSI
Temperature Ratings:
 - Metal Bowl: 0-200°F
 - Polycarbonate Bowl: 0-120°F

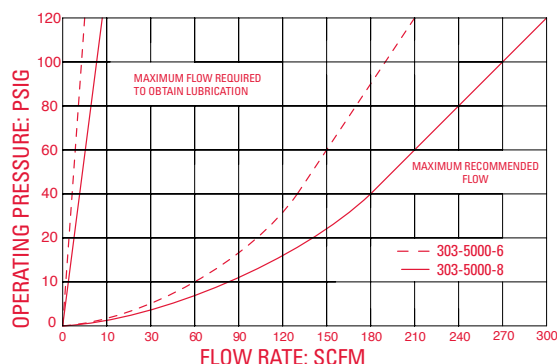
Accessories & Kits

- Bowl Kits:**
 Polycarbonate: 25557 - Metal: 25558
 Metal with Sight Level: 25559 (Polycarbonate) or 25559 (Trogamid)
Seal Kit: 24560
Sight Dome:
 31535 (Polycarbonate) or 31537 (Trogamid)

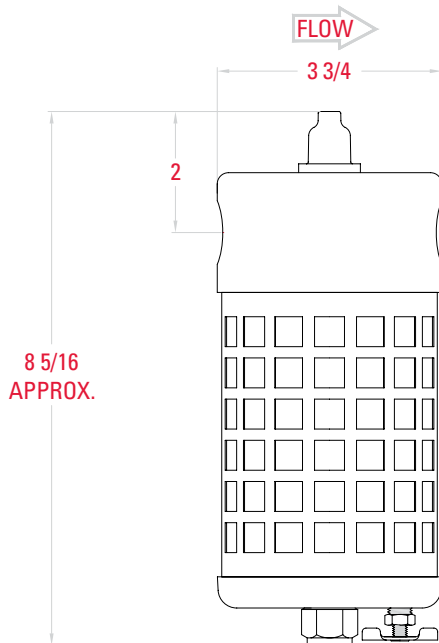
Materials of Construction

- Lubricator Head:** Machined Aluminum
Bowl: Polycarbonate or Machined Aluminum
Bowl Guard: Stainless Steel
Capacity Valve: Acetal
Cap Valve Spring: Bronze
Cap Valve Core: Brass
Check Valve Ball: Chrome Plated Steel
Ferrule: Machined Aluminum
Spring Pin: Steel
Tamperproof Ball: Stainless Steel
Sight Level and Sight Dome: Polycarbonate or Trogamid
Oil Pick-Up Tube: Polyethylene
Oil Fill Plug: Machined Aluminum
Seals: Buna-N (Fluorocarbon Available)

Flow Characteristics



Dimensions



Ordering Information

303-5000-6

Bowl Type	
Polycarbonate	0
Polycarbonate w/ Bowl Guard	1
Metal	2
Metal w/Sight Level	3

Adjustment	
Slotted Screw	0
Knurled Knob	2

Pipe Size	
3/4"	6
1"	8

OPTIONS

Anodizing	
No Anodizing	Blank
Blue	A1
Black	A2
Clear	A3
Green	A4
Red	A5
Yellow	A6
Gold	A7
Purple	A8
Drain	
No Drain	Blank
Twist	MD
Seals	
Buna-N	Blank
Fluorocarbon	V
Mounting Hole	
Two 1/4-20 mounting holes on top surface	MH
1/4 NPT mounting hole on side	MS
Sight Level and Dome	
Polycarbonate	Blank
Trogamid	T
Fill/Drain Options	
Q Fitting on Head	QT
Q Fitting on Base of Bowl	QB

LUBRICATORS: 303-4000 Large Capacity Series



Features

- Automatic air control valve allows lubricator to be filled while in operation
- High flow capability with 32 oz. bowl
- Stainless steel ball supplied with every lubricator to make any slotted screw adjusting lubricator tamperproof
- Quick fill option via a "Q" fitting in the lubricator head or base of the bowl
- Polycarbonate bowl or metal bowl available
- Bowl guard available with polycarbonate bowl
- Sight level available with metal bowl
- Tie-rod construction

Operating Specifications

- Bowl Capacity:** 32oz.
Maximum Pressure Ratings:
 - Metal Bowl: 250 PSI
 - Polycarbonate Bowl: 150 PSI
Temperature Ratings:
 - Metal Bowl: 0-200°F
 - Polycarbonate Bowl: 0-120°F

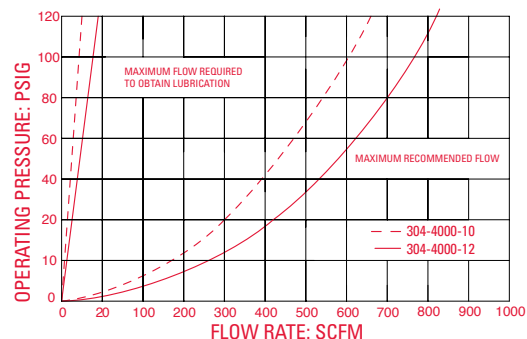
Accessories & Kits

- Bowl Kits:**
 - Polycarbonate: 24557 - Metal: 24558
 - Metal with Sight Level:
 24559 (Polycarbonate) or 24559 (Trogamid)
Seal Kit: 24560
Sight Dome:
 31535 (Polycarbonate) or 31537 (Trogamid)

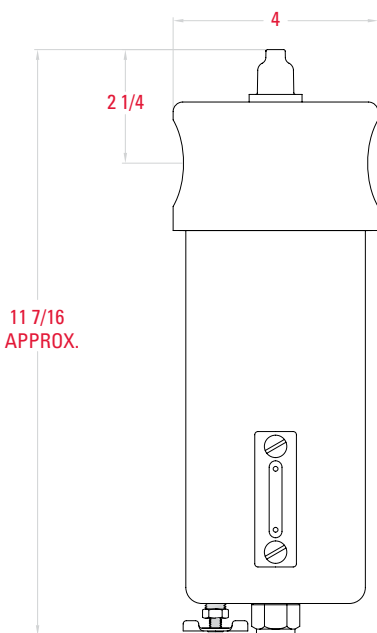
Materials of Construction

- Lubricator Head:** Machined Aluminum
Bowl: Polycarbonate or Machined Aluminum
Capacity Valve: Acetal
Cap Valve Spring: Bronze
Cap Valve Core: Brass
Ferrule: Machined Aluminum
Spring Pin: Zinc Plated Steel
Tamperproof Ball: Stainless Steel
Sight Levels and Sight Dome: Polycarbonate or Trogamid
Oil Pick-Up Tube: Polyethylene
Bowl Guard: Stainless Steel
Oil Fill Plug: Machined Aluminum
Seals: Buna-N (Fluorocarbon Available)

Flow Characteristics



Dimensions



Ordering Information

303-4000-6

Bowl Type	
Polycarbonate	0
Polycarbonate w/ Bowl Guard	1
Metal	2
Metal w/Sight Level	3

Adjustment	
Slotted Screw	0
Knurled Knob	2

Pipe Size	
3/4"	6
1"	8
1 1/4"	10
1 1/2"	12

OPTIONS

Anodizing	
No Anodizing	Blank
Blue	A1
Black	A2
Clear	A3
Green	A4
Red	A5
Yellow	A6
Gold	A7
Purple	A8
Drain	
No Drain	Blank
Twist	MD
Seals	
Buna-N	Blank
Fluorocarbon	V
Mounting Hole	
Two 1/4-20 mounting holes on top surface	MH
1/4 NPT mounting hole on side	MS
Sight Level and Dome	
Polycarbonate	Blank
Trogamid	T
Fill/Drain Options	
Q Fitting on Head	QT
Q Fitting on Base of Bowl	QB