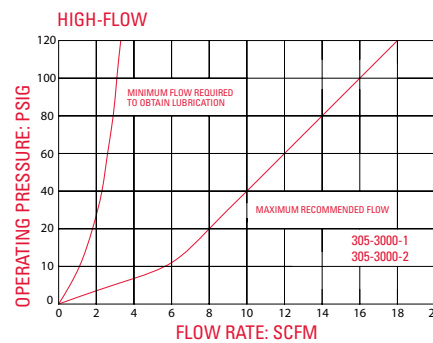
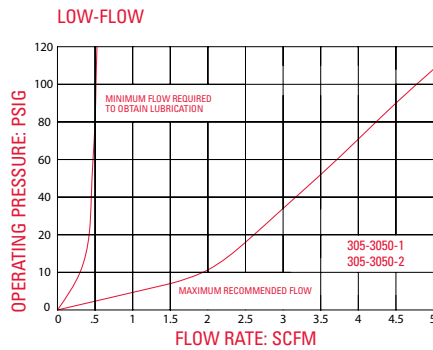




Features

- Standard and low flow options available
- Stainless steel ball supplied with every lubricator to provide tamperproof capability
- Polycarbonate bowl or metal bowls available
- Bowl guard available with polycarbonate bowl

Flow Characteristics



Materials of Construction

- Lubricator Head:** Machined Aluminum
- Bowl:** Polycarbonate or Machined Aluminum
- Capacity Valve:** Acetal
- Capacity Valve Spring:** Stainless Steel
- Retainer:** Zinc Dichromate Plated Steel
- Adaptor Tube:** Brass
- Stem Relief Tube:** Brass
- Tamperproof Ball:** Stainless Steel
- Sight Dome:** Trogamid
- Oil Pick-Up Tube:** Polyethylene
- Bowl Guard:** Stainless Steel
- Oil Fill Plug:** Machined Aluminum
- Seals:** Buna-N (fluorocarbon available)

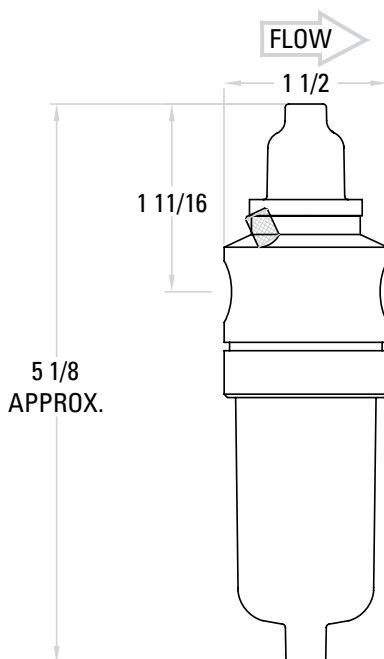
Accessories & Kits

- Bowl Kits:** Polycarbonate: 33509
Metal: 33540
- Sight Dome Kit:** 31535 (Polycarbonate)
31537 (Trogamid)

Operating Specifications

- Bowl Capacity:** 1 oz.
- Maximum Pressure Ratings:**
 - Metal Bowl: 250 PSI
 - Polycarbonate Bowl: 150 PSI
- Temperature Ratings:**
 - Metal Bowl: 0-200°F
 - Polycarbonate Bowl: 0-120°F
- Weight:** 136 g

Dimensions



Ordering Information

305-3000-4

Bowl Type	
Polycarbonate	0
Polycarbonate w/ Bowl Guard	1
Metal	2
Metal w/Sight Level	3

Adjustment	
Slotted Screw	0
Knurled Knob	2

Pipe Size	
1/8"	1
1/4"	2

OPTIONS

Anodizing	
No Anodizing (Standard)	Blank
Blue	A1
Black	A2
Clear	A3
Green	A4
Red	A5
Yellow	A6
Gold	A7
Purple	A8
Drain	
No Drain (Standard)	Blank
Twist	MD
Seals	
Buna-N (Standard)	Blank
Fluorocarbon	V
Mounting Hole	
Two 1/4-20 mounting holes on top surface	MH
1/4 NPT mounting hole on side	MS
Sight Dome	
Trogamid	T
Fill/Drain Options	
Q Fitting on Head	QT
Q Fitting on Base of Bowl	QB