

Monnier filter/regulators are available in a variety of sizes and are designed to reduce the footprint of the air preparation assembly.

Particulate and coalescing flow paths and elements are available. Care must be taken when selecting the appropriate filter type.

All filter/regulators have the same options as the corresponding individual filters and regulators.

Specifications

Maximum Pressure:

Polycarbonate Bowls: 150 PSI
Metal Bowls: 250 PSI

Optional Components

Drains: Manual drains are standard. Impulse drains ("D") or float drains ("F") available, depending on product family.

Anodizing: Units can be anodized any of eight colors. (Colors available: blue, black, clear, green, red, yellow, gold and purple).

Pipe Size: 1/8" - 1/2" NPT

Bowl Options: Polycarbonate bowls, aluminum bowls, sight levels and bowl guards available depending on the product family.

Dense Pack Element Design

Our unique element design provides multiple points of impaction throughout the cross section of the element. This guarantees that the maximum amount of particulate is captured while also ensuring minimal pressure drop over the long life of the element.

3000 Miniature Series	3
3009 Miniature Series	4
C01-1000/2000 Series	5
C01-1009 Standard Series	6
B05-1000 Standard Series	7
C05-1000 Standard Series	8
C05-1009 Standard Series	9

Caution

Bowl guards are recommended on all polycarbonate bowl filters!
All bowl guards are made of heavy-duty stainless steel.

Warning

Polycarbonate bowls can be damaged and may fail if they are exposed to or come in contact with solvents, strong alkalis, fire resistant and/or synthetic compressor lubricants.

WARRANTY: Monnier warrants each product against defects in material and workmanship for a period of one year from the date of manufacture providing its use was in accordance with Monnier recommendations. If the product fails to perform as warranted, Monnier will, at its option, repair or replace the product free of charge. The company will not be liable for incidental or consequential damages. We make no other warranty, expressed or implied, including warranties of merchantability or fitness for a particular purpose.



Features

- Filter and regulator consolidated into one assembly
- Reduces footprint of air prep assembly
- Polycarbonate or aluminum bonnets available
- Polycarbonate or aluminum bowls available
- Manual or impulse drains available
- Preset and tamperproof options

Operating Specifications

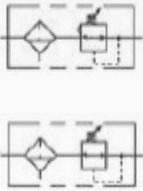
- Bowl Capacity:** 1 oz.
- Maximum Pressure Ratings:**
- Metal Bowl: 250 PSI
 - Polycarbonate Bowl: 150 PSI
- Temperature Ratings:**
- Metal Bowl: 0-200°F
 - Polycarbonate Bowl: 0-120°F

Materials of Construction

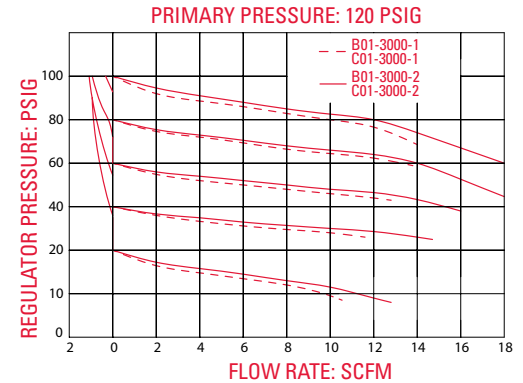
- Body:** Machined Aluminum
Bonnet: Aluminum or Polycarbonate
Bowl: Polycarbonate or Machined Aluminum
Seat: Nylon
Poppet Spring: Stainless Steel
Whirl Disc: Aluminum
Element (20 and 10 Micron): Phenolic Impregnated Cellulose
Element (5 Micron): Polypropylene
Element Retainer: Celanese
Poppet Valve: Buna-N (fluorocarbon available)
Seat: Nylon **Locking Nut:** Zinc Plated Steel
Compression Spring: Spring Steel
Adjustment Screw: Zinc Plated Steel
Diaphragm Assembly: Steel, Brass, Buna-N (fluorocarbon available)
Drain: • Manual: Brass and Plated Steel
 • Impulse: Machined Aluminum, Zinc Plated Steel, and Buna-N (fluorocarbon available)

Accessories & Kits

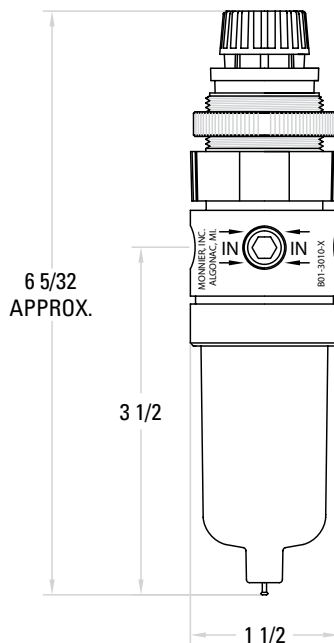
- Elements:** 20 Micron: 23004 - 10 Micron: 23025 - 5 Micron: 23040
- Regulator Repair Kits:**
- Relieving: 13532 - Non-Relieving: 13533
- Bowl Kit w/ Manual Drain:**
- Polycarbonate: 23520 - Aluminum: 23533
- Bowl Kit w/ Impulse Drain:**
- Polycarbonate: 23521 - Aluminum: 23534
- Bracket Kit:** - Polycarbonate Bonnet: 13536 - Aluminum Bonnet: 13534
- Mounting Nut Only:** - Polycarbonate Bonnet: 13133 - Aluminum Bonnet: 13025



Flow Characteristics



Dimensions



Ordering Information

B01-3000-2

Bonnet	
Polycarbonate	B
Aluminum	C

Bowl Type	
Polycarbonate	0
Polycarbonate w/ Bowl Guard	1
Metal	2

Pressure	
10-130 Relieving	0
10-130 Non-Relieving	1
5-60 Relieving	2
5-60 Non-Relieving	3
3-30 Relieving	4
3-30 Non-Relieving	5
20-250 Relieving	6
20-250 Non-Relieving	7
1-10 Relieving	8
1-10 Non-Relieving	9

Elements	
20 Micron	0
10 Micron	1
5 Micron	2

Pipe Size	
1/8"	1
1/4"	2

OPTIONS

Anodizing	
No Anodizing (Standard)	Blank
Blue	A1
Black	A2
Clear	A3
Green	A4
Red	A5
Yellow	A6
Gold	A7
Purple	A8
Drain	
Manual (Standard)	Blank
Impulse	D
Seals	
Buna-N (Standard)	Blank
Fluorocarbon	V
Tamperproof	
Bracket	B
Gauge	G
Knob	K
Attachment Parts	
Tamperproof	T
Preset	P
Preset and Tamperproof B01	PT
Preset and Tamperproof C01	PTS



Features

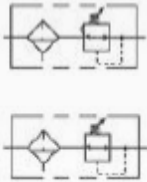
- Coalescing filter and regulator consolidated into one assembly
- Reduces footprint of air prep assembly
- Polycarbonate or aluminum bonnets available
- Polycarbonate or aluminum bowls available
- Manual or Impulse drains available
- Preset and Tamperproof options
- Gauges available
- Available w/ 0.3 or 0.01 Micron elements
- Body cones green anodized as standard (other colors available)

Operating Specifications

- Bowl Capacity:** 1 oz.
- Maximum Pressure Ratings:**
 - Metal Bowl: 250 PSI
 - Polycarbonate Bowl: 150 PSI
- Temperature Ratings:** - Metal Bowl: 0-200°F
- Polycarbonate Bowl: 0-120°F

Accessories & Kits

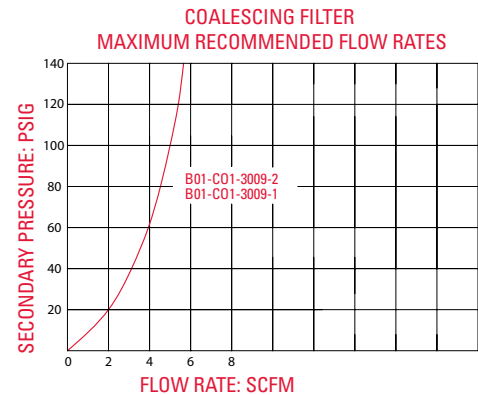
- Elements:** - 0.3 Micron: 23543 - 0.01 Micron: 23592
- Regulator Repair Kits:**
 - Relieving: 13532 - Non-Relieving: 13533
- Bowl Kit w/ Manual Drain:**
 - Polycarbonate: 23520 - Aluminum: 23533
- Bowl Kit w/ Impulse Drain:**
 - Polycarbonate: 23521 - Aluminum: 23534
- Bracket Kit:** - Polycarbonate Bonnet: 13536
- Aluminum Bonnet: 13534
- Mounting Nut Only:** - Polycarbonate Bonnet: 13133
- Aluminum Bonnet: 13025



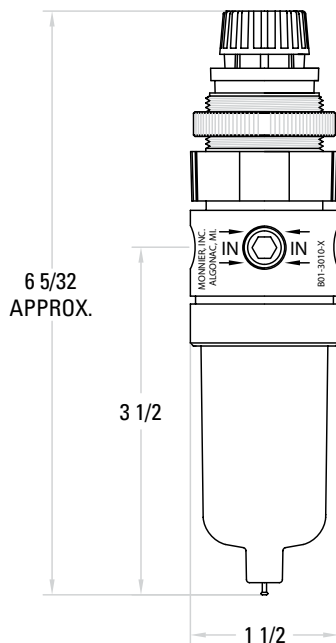
Materials of Construction

- Body:** Anodized Machined Aluminum
- Bonnet:** Machined Aluminum or Polycarbonate
- Spring:** Stainless Steel
- Diaphragm Gasket:** Stainless Steel
- Valve Seat:** Brass
- Poppet Valve:** Buna-N (fluorocarbon available)
- Element (0.3 and 0.01 Micron):** Borosilicate Glass Fiber
- Element Retainer:** Celanese
- Element Shield:** Polycarbonate
- Adaptor Outlet:** Machined Aluminum (Impulse Drain)
- Seat:** Nylon
- Piston Spring:** Stainless Steel
- Valve Seat:** Buna-N (fluorocarbon available)
- Drain:**
 - Manual: Zinc Plated Brass
 - Impulse: Machined Aluminum and Zinc Plated Steel

Flow Characteristics



Dimensions



Ordering Information

B01-3009-2

BONNET		ELEMENTS		PIPE SIZE		OPTIONS																																																	
Polycarbonate	B	0.3 Micron	9	1/8"	1	<table border="1"> <thead> <tr> <th colspan="2">Anodizing</th> </tr> </thead> <tbody> <tr><td>Green (Standard)</td><td>Blank</td></tr> <tr><td>Blue</td><td>A1</td></tr> <tr><td>Black</td><td>A2</td></tr> <tr><td>Clear</td><td>A3</td></tr> <tr><td>Red</td><td>A5</td></tr> <tr><td>Yellow</td><td>A6</td></tr> <tr><td>Gold</td><td>A7</td></tr> <tr><td>Purple</td><td>A8</td></tr> </tbody> </table> <table border="1"> <thead> <tr> <th colspan="2">Drain</th> </tr> </thead> <tbody> <tr><td>Manua (Standard)</td><td>Blank</td></tr> <tr><td>Impulse</td><td>D</td></tr> </tbody> </table> <table border="1"> <thead> <tr> <th colspan="2">Seals</th> </tr> </thead> <tbody> <tr><td>Buna-N (Standard)</td><td>Blank</td></tr> <tr><td>Fluorocarbon</td><td>V</td></tr> </tbody> </table> <table border="1"> <thead> <tr> <th colspan="2">Tamperproof</th> </tr> </thead> <tbody> <tr><td>Tamperproof</td><td>T</td></tr> <tr><td>Preset</td><td>P</td></tr> <tr><td>Preset and Tamperproof B01</td><td>PT</td></tr> <tr><td>Preset and Tamperproof C01</td><td>PTS</td></tr> </tbody> </table> <table border="1"> <thead> <tr> <th colspan="2">Attachment Parts</th> </tr> </thead> <tbody> <tr><td>Bracket</td><td>B</td></tr> <tr><td>Gauge</td><td>G</td></tr> <tr><td>Knob</td><td>K</td></tr> </tbody> </table>		Anodizing		Green (Standard)	Blank	Blue	A1	Black	A2	Clear	A3	Red	A5	Yellow	A6	Gold	A7	Purple	A8	Drain		Manua (Standard)	Blank	Impulse	D	Seals		Buna-N (Standard)	Blank	Fluorocarbon	V	Tamperproof		Tamperproof	T	Preset	P	Preset and Tamperproof B01	PT	Preset and Tamperproof C01	PTS	Attachment Parts		Bracket	B	Gauge	G	Knob	K
Anodizing																																																							
Green (Standard)	Blank																																																						
Blue	A1																																																						
Black	A2																																																						
Clear	A3																																																						
Red	A5																																																						
Yellow	A6																																																						
Gold	A7																																																						
Purple	A8																																																						
Drain																																																							
Manua (Standard)	Blank																																																						
Impulse	D																																																						
Seals																																																							
Buna-N (Standard)	Blank																																																						
Fluorocarbon	V																																																						
Tamperproof																																																							
Tamperproof	T																																																						
Preset	P																																																						
Preset and Tamperproof B01	PT																																																						
Preset and Tamperproof C01	PTS																																																						
Attachment Parts																																																							
Bracket	B																																																						
Gauge	G																																																						
Knob	K																																																						
Aluminum	C	0.01 Micron	8	1/4"	2																																																		
Bowl Type																																																							
Polycarbonate	0																																																						
Polycarbonate w/ Bowl Guard	1																																																						
Metal	2																																																						
Pressure																																																							
10-130 Relieving	0																																																						
10-130 Non-Relieving	1																																																						
5-60 Relieving	2																																																						
5-60 Non-Relieving	3																																																						
3-30 Relieving	4																																																						
3-30 Non-Relieving	5																																																						
20-250 Relieving (Aluminum Bonnet Only)	6																																																						
20-250 Non-Relieving (Aluminum Bonnet Only)	7																																																						
1-10 Relieving	8																																																						
1-10 Non-Relieving	9																																																						



Features

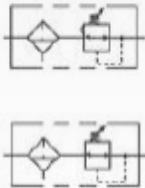
- Filter and regulator consolidated into one assembly
- Reduces footprint of air prep assembly
- Tie-rod construction for maximum stability
- Polycarbonate or aluminum bowls available
- Manual, float or impulse drains available
- Preset and tamperproof options
- 1000 Series has a greater bowl capacity to accommodate a larger sump area
- 2000 Series has a compact design for applications where space is at a premium

Operating Specifications

- Bowl Capacity:** 5 oz. or 8 oz.
Maximum Pressure Ratings:
 - Metal Bowl: 250 PSI
 - Polycarbonate Bowl: 150 PSI
Temperature Ratings:
 - Metal Bowl: 0-200°F
 - Polycarbonate Bowl: 0-120°F

Accessories & Kits

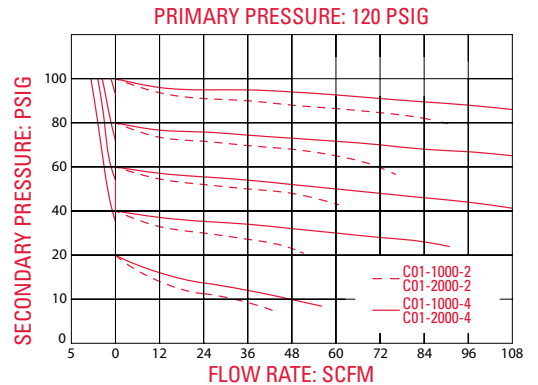
- (2000 Series)** 20 Micron: 22205 - 10 Micron: 22033
 - 3 Micron: 22032
(1000 Series) 20 Micron: 21205 - 10 Micron: 21036
 - 3 Micron: 21037
Regulator Kits: Relieving: 11531 Relieving (20-250): 11538
 Non-Relieving: 11532 Non-Relieving (20-250): 11539
Bowl Kits:
- | | Poly. | Alum. | Alum. w/Sight Level |
|-------------|-------|-------|---------------------|
| 2000 Series | 22520 | 22537 | 22521-P OR 22521-T |
| 1000 Series | 21557 | 21558 | 21559-P OR 21559-T |



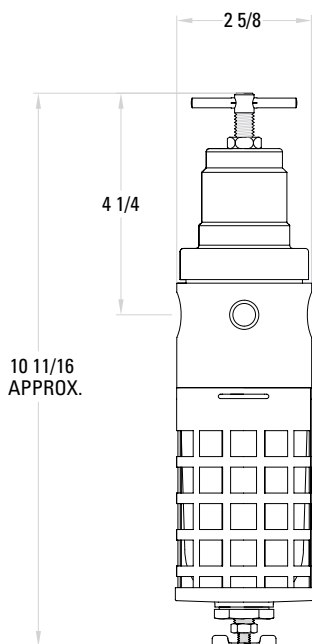
Materials of Construction

- Body:** Machined Aluminum
Bonnet: Aluminum
Spring Guide: Zinc Plated Steel
Compression Spring: Spring Steel
Diaphragm Gasket: Stainless Steel
Valve Seat: Brass
Poppet Valve Spring: Stainless Steel
Seals: Buna-N (fluorocarbon available)
Whirl Disc: Acetal
Element (20, 10, 3 Micron): Phenolic Impregnated Acrylic Fibers
Stud: Zinc Plated Steel
Baffle Plate: Acetal
Base Nut: Aluminum
Drain: Brass and Zinc Plated Steel
Bowl: Polycarbonate or Machined Aluminum
Bowl Guard: Stainless Steel
Drain: - Manual: Brass and Plated Steel
 - Float: Anodized Aluminum w/ Acetal and Stainless Steel Float Mechanism
 - Impulse: Machined Aluminum, Brass, and Buna-N

Flow Characteristics



Dimensions



Ordering Information

C01-1000-2

Bowl Size		Bowl Type		Pressure		Elements		Pipe Size		OPTIONS	
5 oz.	2	Polycarbonate	0	10-130 Relieving	0	20 Micron	0	1/4"	2	Anodizing	
8 oz.	1	Polycarbonate w/ Guard	1	10-130 Non-Relieving	1	10 Micron	1	3/8"	3	No Anodizing (Standard)	Blank
		Metal	2	5-60 Relieving	2	3 Micron	2	1/2"	4	Blue	A1
		Metal w/ Sight Level	3	5-60 Non-Relieving	3					Black	A2
				3-30 Relieving	4					Clear	A3
				3-30 Non-Relieving	5					Green	A4
				20-250 Relieving	6					Red	A5
				20-250 Non-Relieving	7					Yellow	A6
										Gold	A7
										Purple	A8
										Drain	
										Manual (Standard)	Blank
										Impulse	D
										Seals	
										Buna-N (Standard)	Blank
										Fluorocarbon	V
										Tamperproof	
										Tamperproof	T
										Preset	P
										Preset and Tamperproof	PT
										Attachment Parts	
										Bracket	B
										Gauge	G
										Knob	K



Features

- Coalescing filter and regulator consolidated into one assembly
- Reduces footprint of air prep assembly
- Polycarbonate or Aluminum Bowls available
- Manual, Float or Impulse drains available
- Preset and Tamperproof options
- Gauges available
- Body comes green anodized as standard (other colors available)
- 0.3 and 0.01 Micron Elements available

Operating Specifications

Bowl Capacity: 8 oz.

Maximum Pressure Ratings:

- Metal Bowl: 250 PSI
- Polycarbonate Bowl: 150 PSI

Temperature Ratings:

- Metal Bowl: 0-200°F
- Polycarbonate Bowl: 0-120°F

Accessories & Kits

Elements: - 0.3 Micron: 21545 - 0.01 Micron: 21751

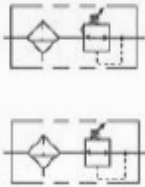
Regulator Repair Kits:

- Relieving: 11531 Relieving(20-250): 11538
- Non-Relieving: 11532 Relieving (20-250): 11539

Bowl Kits: Polycarbonate Bowl: 21557

Aluminum Bowl: 21558

Aluminum Bowl w/ sight level: 21559-P (Polycarbonate) or 21559-T (Trogamid)



Materials of Construction

Body: Anodized Machined Aluminum

Bonnet: Aluminum

Spring Guide: Mild Steel

Compression Spring: Spring Steel

Diaphragm Gasket: Stainless Steel

Valve Seat: Brass

Poppet Valve Spring: Stainless Steel

Seals: Buna-N (fluorocarbon available)

Whirl Disc: Copolymer Acetal

Element: Borosilicate glass fibers

Stud: Zinc Plated Steel

Baffle Plate: Acetal

Base Nut: Aluminum

Bowl: Polycarbonate or Aluminum

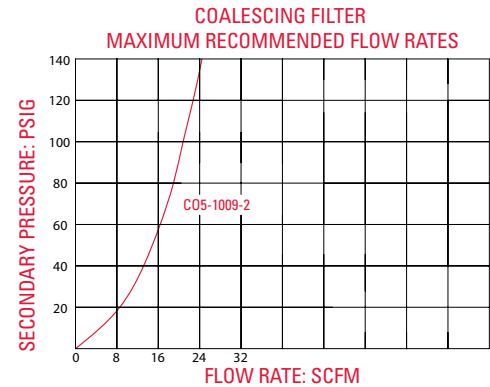
Bowl Guard: Stainless Steel

Drain: - Manual: Brass and Plated Steel

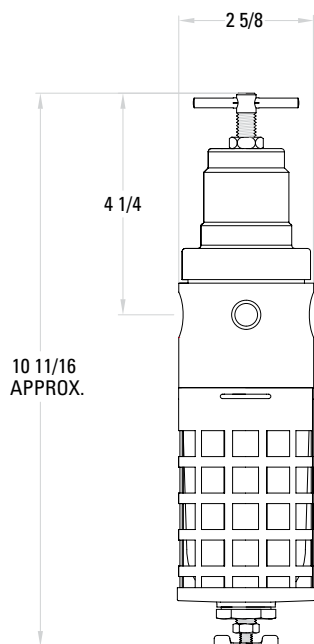
- Float: Anodized Aluminum w/ Acetal and Stainless Steel Float Mechanism

- Impulse: Machined Aluminum, Brass, and Buna-N

Flow Characteristics



Dimensions



Ordering Information

C01-1009-2

Bowl Type	
Polycarbonate	0
Polycarbonate w/ Guard	1
Metal	2
Metal w/ Sight Level	3

Pressure	
10-130 Relieving	0
10-130 Non-Relieving	1
5-60 Relieving	2
5-60 Non-Relieving	3
3-30 Relieving	4
3-30 Non-Relieving	5
20-250 Relieving	6
20-250 Non-Relieving	7

Elements	
0.3 Micron	9
0.01 Micron	8

Pipe Size	
1/4"	2
3/8"	3
1/2"	4

OPTIONS

Anodizing	
Green (Standard)	Blank
Blue	A1
Black	A2
Clear	A3
Red	A5
Yellow	A6
Gold	A7
Purple	A8

Drain	
Manual (Standard)	Blank
Impulse (External)	D
Float (External)	F

Seals	
Buna-N (Standard)	Blank
Fluorocarbon	V

Tamperproof	
Tamperproof	T
Preset	P
Preset and Tamperproof	PT

Attachment Parts	
Bracket	B
Gauge	G
Knob	K



Features

- Convenient push to lock knob design
- Acetal bonnet and knob
- Mounting nut comes standard
- Diaphragm design for minimal hysteresis and greater responsiveness
- Black anodizing standard (other colors available)
- Machined aluminum body
- Manual, float or impulse drains available
- Aluminum or polycarbonate bowls available
- Can be ordered with gauge

Operating Specifications

Bowl Capacity: 8 oz. **Gauge Ports:** 1/4" NPT
Maximum Inlet Pressure: 250 PSIG
Temperature Rating:
 Polycarbonate Bowls: 0-120°F
 Metal Bowls: 0-175°F **Weight:** 2 lbs.

Accessories & Kits

Mounting Bracket: 11430
 1/2" 1/4" - 3/8"

REGULATOR KITS: 0-50 PSI 0-150 PSI 0-50 PSI 0-150 PSI

Relieving: 11482 11480 11472 11470
Non-Relieving: 11483 11480 11473 11471

Bowl Kits: - Polycarbonate Bowl Kit: 21567
 - Polycarbonate Bowl Kit w/ Float Drain: 21572
 - Metal Bowl Kit w/ Float Drain: 21582

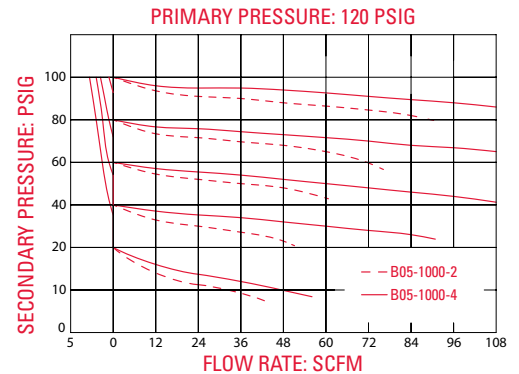
Metal Bowl Kit: 21580
Metal Bowl with Sight Level Kit (Polycarbonate/ Trogamid): 21581-P or 21581-T
Metal Bowl with Float Drain and Sight Level Kit (Polycarbonate/ Trogamid): 21583-P or 21583-T

Elements:
 20 Micron: 21205
 10 Micron: 21036
 3 Micron: 21037

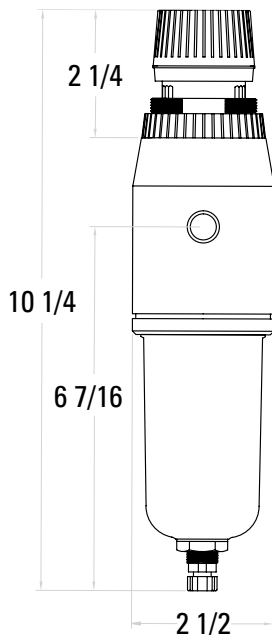
Materials of Construction

Body: Machined Aluminum
Bonnet: Glass Filled Acetal
Knob, Adjuster & Mounting Nut: Acetal
Diaphragm Gasket: Acetal
Springs: Music Wire
Spring Guide: Machined Aluminum
Seat: Brass
Poppet Assembly: Brass
Seals: Buna-N (fluorocarbon available)
Whirl Disc: Aluminum
Element: Phenolic Impregnated Acrylic Fiber
Stud: Zinc Plated Steel
Drain: - Manual: Plastic
 - Float: Acetal and Stainless Steel
 - Impulse: Machined Aluminum, Brass, and Buna-N (fluorocarbon available)
Bowl: Polycarbonate or Aluminum
Bowl Guard: Stainless Steel

Flow Characteristics



Dimensions



Ordering Information

B05-1000-2

Bowl Type	
Polycarbonate	0
Polycarbonate w/ Guard	1
Metal	2
Metal w/ Sight Level	3

Pressure Range	
0-150 Relieving	0
0-150 Non-Relieving	1
0-50 Relieving	2
0-50 Non-Relieving	3

Elements	
20 Micron	0
10 Micron	1
3 Micron	2

Pipe Size	
1/4"	2
3/8"	3
1/2"	4

OPTIONS

Anodizing	
Black (Standard)	Blank
Blue	A1
Clear	A3
Green	A4
Red	A5
Yellow	A6
Gold	A7
Purple	A8
Preset	P

Attachment Parts	
Gauge	G
Bracket	B

Seals	
Buna-N (Standard)	Blank
Fluorocarbon	V

Drain	
Manual (Standard)	Blank



Features

- Threaded bowl for ease of maintenance
- Polycarbonate or aluminum bowls available
- Filter and regulator consolidated into one assembly
- Reduces footprint of air prep assembly
- Manual, float or impulse drains available
- Preset and tamperproof options

Operating Specifications

Bowl Capacity: 8 oz.

Maximum Pressure Ratings:

- Metal Bowl: 250 PSI
- Polycarbonate Bowl: 150 PSI

Temperature Ratings:

- Metal Bowl: 0-200°F
- Polycarbonate Bowl: 0-120°F

Accessories & Kits

Elements: 20 Micron: 21205 - 10 Micron: 21036 - 3 Micron: 21037

REGULATOR KITS: 20-250 PSI Outside 20-250 PSI

Relieving: 11538 11531

Non-Relieving: 11539 11532

Bowl Kits: - Polycarbonate Bowl Kit: 21557

- Polycarbonate Bowl Kit w/ Float Drain: 21572

- Metal Bowl Kit w/ Float Drain: 21583

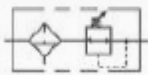
Metal Bowl Kit: 21580

Metal Bowl with Sight Level Kit

(Polycarbonate/Trogamid): 21581-P or 21581-T

Metal Bowl with Float Drain and Sight Level Kit

(Polycarbonate/Trogamid): 21583-P or 21583-T



Materials of Construction

Body: Machined Aluminum

Bonnet: Machined Aluminum or Polycarbonate

Spring Guide: Zinc Plated Steel

Diaphragm Gasket: Stainless Steel

Valve Seat: Brass

Poppet Valve Spring: Stainless Steel

Seals: Buna-N (fluorocarbon available)

Whirl Disc: Aluminum

Element (20, 10, 3 Micron):

Phenolic Impregnated Acrylic Fibers

Stud: Zinc Plated Steel

Drain: - Manual: Plastic

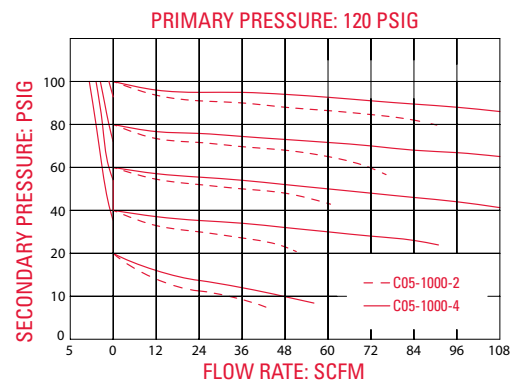
- Float: Acetal and Stainless Steel

- Impulse: Machined Aluminum, Brass, and Buna-N (fluorocarbon available)

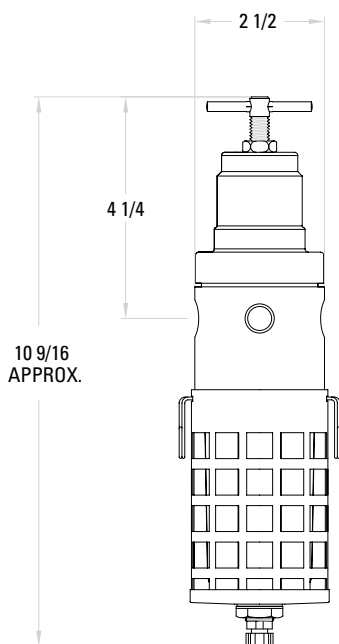
Bowl: Polycarbonate or Aluminum

Bowl Guard: Stainless Steel

Flow Characteristics



Dimensions



Ordering Information

C05-1000-2

Bowl Type	
Polycarbonate	0
Polycarbonate w/ Guard	1
Metal	2
Metal w/ Sight Level	3

Pressure	
10-130 Relieving	0
10-130 Non-Relieving	1
5-60 Relieving	2
5-60 Non-Relieving	3
3-30 Relieving	4
3-30 Non-Relieving	5
20-250 Relieving	6
20-250 Non-Relieving	7

Elements	
20 Micron	0
10 Micron	1
3 Micron	2

Pipe Size	
1/4"	2
3/8"	3
1/2"	4

OPTIONS

Anodizing

Blue	A1
Black	A2
Clear	A3
Green	A4
Red	A5
Yellow	A6
Gold	A7
Purple	A8

Attachment Parts

Gauge	G
Bracket	B
Knob	K

Seals

Buna-N (Standard)	Blank
Fluorocarbon	V

Drain

Manual (Standard)	Blank
Float (Internal)	F
Impulse (External)	D

Tamperproof

Tamperproof	T
Preset	P
Preset and Tamperproof	PT
Panel Mounting	M



Features

- Coalescing filter and regulator consolidated into one assembly
- Reduces footprint of air prep assembly
- Polycarbonate or aluminum bowls available
- Manual, float or impulse drains available
- Preset and tamperproof options
- Gauges available
- 0.3 and 0.01 Micron elements available
- Green anodized body standard, other colors available

Operating Specifications

Bowl Capacity: 8 oz.

Maximum Pressure Ratings:

- Metal Bowl: 250 PSI
- Polycarbonate Bowl: 150 PSI

Temperature Ratings:

- Metal Bowl: 0-200°F
- Polycarbonate Bowl: 0-120°F

Accessories & Kits

Elements: 0.3 Micron: 21720 - 0.01 Micron: 21762

REGULATOR KITS: 20-250 PSI Outside 20-250 PSI

Relieving: 11538 11531

Non-Relieving: 11539 11532

Bowl Kits: - Polycarbonate Bowl Kit: 21557

- Polycarbonate Bowl Kit w/ Float Drain: 21572

- Metal Bowl Kit w/ Float Drain: 21583

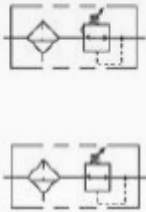
Metal Bowl Kit: 21580

Metal Bowl with Sight Level Kit

(Polycarbonate/ Trogamid): 21581-P or 21581-T

Metal Bowl with Float Drain and Sight Level Kit

(Polycarbonate/ Trogamid): 21583-P or 21583-T



Materials of Construction

Body: Machined Aluminum

Bonnet: Machined Aluminum or Polycarbonate

Spring Guide: Zinc Plated Steel

Diaphragm Gasket: Stainless Steel

Valve Seat: Brass

Poppet Valve Spring: Stainless Steel

Seals: Buna-N (fluorocarbon available)

Whirl Disc: Aluminum

Stud: Zinc Plated Steel

Drain:

Manual: Plastic

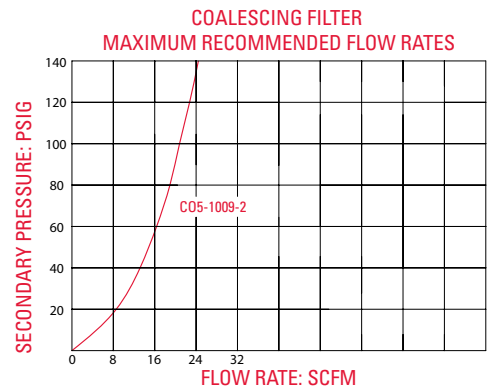
Float: Acetal and Stainless Steel

Impulse: Machined Aluminum, Brass, and Buna-N (fluorocarbon available)

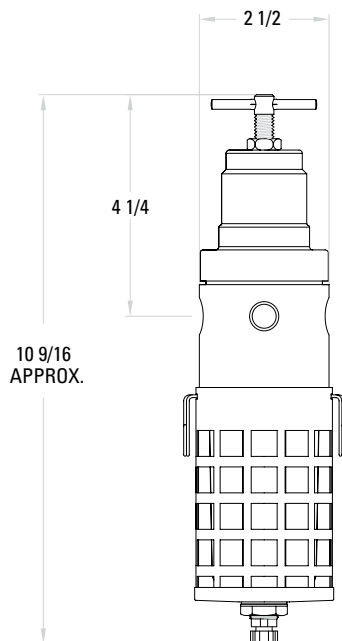
Bowl: Polycarbonate or Aluminum

Bowl Guard: Stainless Steel

Flow Characteristics



Dimensions



Ordering Information

C05-1009-2

Bowl Type	
Polycarbonate	0
Polycarbonate w/ Guard	1
Metal	2
Metal w/ Sight Level	3

Pressure	
10-130 Relieving	0
10-130 Non-Relieving	1
5-60 Relieving	2
5-60 Non-Relieving	3
3-30 Relieving	4
3-30 Non-Relieving	5
20-250 Relieving	6
20-250 Non-Relieving	7

Elements	
0.3 Micron	9
0.01 Micron	8

Pipe Size	
1/4"	2
3/8"	3
1/2"	4

OPTIONS

Anodizing

Green (Standard)	Blank
Blue	A1
Black	A2
Clear	A3
Red	A5
Yellow	A6
Gold	A7
Purple	A8

Attachment Parts

Gauge	G
Bracket	B
Knob	K

Seals

Buna-N (Standard)	Blank
Fluorocarbon	V

Drain

Manual (Standard)	Blank
Float (Internal)	F
Impulse (External)	D

Tamperproof

Tamperproof	T
Preset	P
Preset and Tamperproof	PT