



Manual Drain



Automatic Drain

Features

- Removes liquid and sub-micron solids
- 0.3 micron element removes 99.97% of all moisture and dirt from the air
- 0.01 micron element removes 99.995% of all moisture and dirt from the air
- Manual drain standard; impulse drain available
- Threaded components for ease of maintenance
- Green standard anodized housing (other colors available)

Operating Specifications

Bowl Capacity: 1 oz.

Maximum Pressure Ratings:

- Aluminum Bowl: 250 PSIG
- Polycarbonate Bowl: 150 PSIG

Temperature Ratings:

- Aluminum Bowl: 0-200°F
- Polycarbonate Bowl: 0-120°F

Accessories & Kits

Polycarbonate Bowl Kit w/ Standard Drain: 23520

Aluminum Bowl Kit w/ Manual Drain: 23533

Polycarbonate Bowl Kit w/ Impulse Drain: 23521

Aluminum Bowl Kit w/ Impulse Drain: 23534

Elements:

0.3 Micron: 23543

0.01 Micron: 23592

Materials of Construction

Head: Anodized Machined Aluminum

Bowl: Polycarbonate or Machined Aluminum

Element Shield: Polycarbonate

Element Retainer: Celonese

(Polypropylene available)

Element: Borosilicate Glass Fiber

Seals: Buna-N (fluorocarbon available)

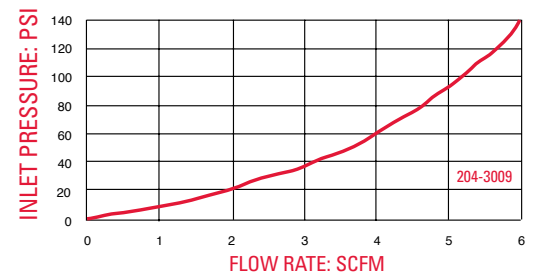
Drain:

- Manual: Nickel Plated Brass

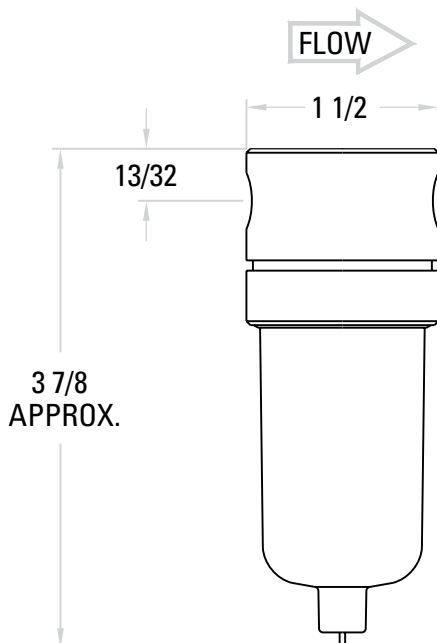
- Impulse: Machined Aluminum and Brass

Bowl Guard: Stainless Steel

Flow Characteristics



Dimensions



Ordering Information

204-3009-2

Bowl Type	
Polycarbonate	0
Polycarbonate w/ Bowl Guard	1
Metal	2

Elements	
0.3 Micron	9
0.01 Micron	8

Pipe Size	
1/8"	1
1/4"	2

OPTIONS

Anodizing	
Green (Standard)	Blank
Blue	A1
Black	A2
Clear	A3
Red	A5
Yellow	A6
Gold	A7
Purple	A8
Drain	
Manual (Standard)	Blank
Impulse	D
Seals	
Buna-N (Standard)	Blank
Fluorocarbon (Viton)	V
Mounting Hole	
Two 1/4-20 mounting holes on top surface	MH
1/4 NPT mounting hole on side	MS