



## Features

- Automatic air control valve allows lubricator to be filled while in operation
- High flow capacity with extended bowl
- Stainless steel ball supplied with every lubricator to make any slotted screw adjusting lubricator tamper-proof
- Quick fill option via a "Q" fitting in the lubricator head or base of the bowl
  - Polycarbonate bowl or metal bowl available
  - Bowl guard available with polycarbonate bowl
  - Sight level available with metal bowl
- Tie-rod construction

## Operating Specifications

**Bowl Capacity:** 21oz.

**Maximum Pressure Ratings:**

- Metal Bowl: 250 PSI
- Polycarbonate Bowl: 150 PSI

**Temperature Ratings:**

- Metal Bowl: 0-200°F
- Polycarbonate Bowl: 0-120°F

## Accessories & Kits

**Bowl Kits:**

- Polycarbonate: 25557
- Metal: 25558
- Metal with Sight Level: 25559-T (Trogamid)

**Sight Dome:**

- 31537 (Trogamid)

## Materials of Construction

**Lubricator Head:** Machined Aluminum

**Bowl:** Polycarbonate or Machined Aluminum

**Capacity Valve:** Acetal

**Cap Valve Spring:** Stainless Steel

**Oil Adaptor:** Brass

**Ferrule:** Machined Aluminum

**Spring Pin:** Zinc Plated Steel

**Tamper-Proof Ball:** Stainless Steel

**Sight Levels and Sight Dome:** Trogamid

**Oil Pick-Up Tube:** Polyethylene

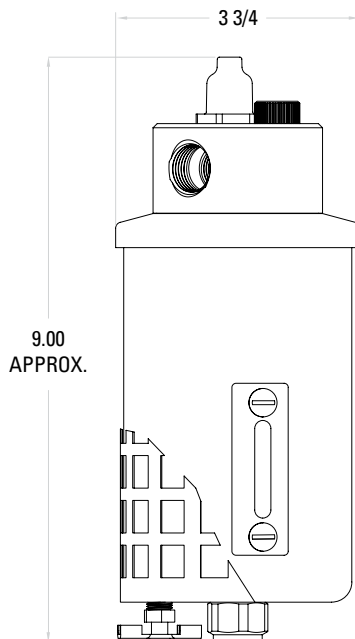
**Bowl Guard:** Stainless Steel

**Oil Fill Plug:** Machined Aluminum

**Seals:** Buna-N (fluorocarbon available)

## Flow Characteristics

## Dimensions



## Ordering Information

# 304-5000-4

Bowl Type	
Polycarbonate	0
Polycarbonate w/ Bowl Guard	1
Metal	2
Metal w/Sight Level	3

Adjustment	
Slotted Screw	0
Knurled Knob	2

Pipe Size	
1/4"	2
3/8"	3
1/2"	4

## OPTIONS

Anodizing	
No Anodizing (Standard)	Blank
Blue	A1
Black	A2
Clear	A3
Green	A4
Red	A5
Yellow	A6
Gold	A7
Purple	A8
Drain	
No Drain (Standard)	Blank
Twist	MD
Seals	
Buna-N (Standard)	Blank
Fluorocarbon	V
Mounting Hole	
Two 1/4-20 mounting holes on top surface	MH
1/4 NPT mounting hole on side	MS
Sight Level and Dome	
Trogamid	T
Fill/Drain Options	
Q Fitting on Head	QT
Q Fitting on Base of Bowl	QB