



Features

- Removes liquid and sub-micron solids
- 0.3 micron element removes 99.97% of all moisture and dirt from air
- 0.01 micron element removes 99.995% of all moisture and dirt from the air
- Manual drain standard; float or impulse drain available
- Pressure drop indicator available to show when element needs to be changed
- Tie-Rod construction for maximum stability
- Green anodized housing (standard)

Operating Specifications

- Bowl Capacity:** 5 oz.
Maximum Pressure Ratings:
 - Aluminum Bowl: 250 PSIG
 - Polycarbonate Bowl: 150 PSIG
Temperature Ratings:
 - Aluminum Bowl: 0-200°F
 - Polycarbonate Bowl: 0-120°F

Accessories & Kits

- Polycarbonate Bowl Kit:** 22520
Aluminum Bowl Kit: 22537
Aluminum Bowl Kit w/ Sight Level (Trogamid): 22521-T
Elements: 0.3 Micron: 21545 **0.01 Micron:** 21751
Pressure Drop Indicator Assembly: 21542-T
Filter Seal Kit: 21543



Manual Drain

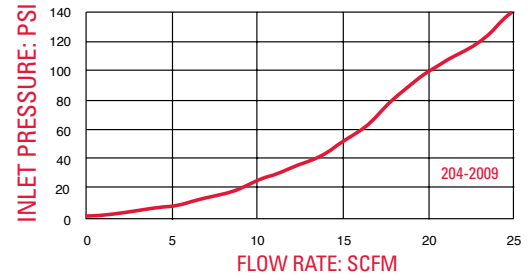


Automatic Drain

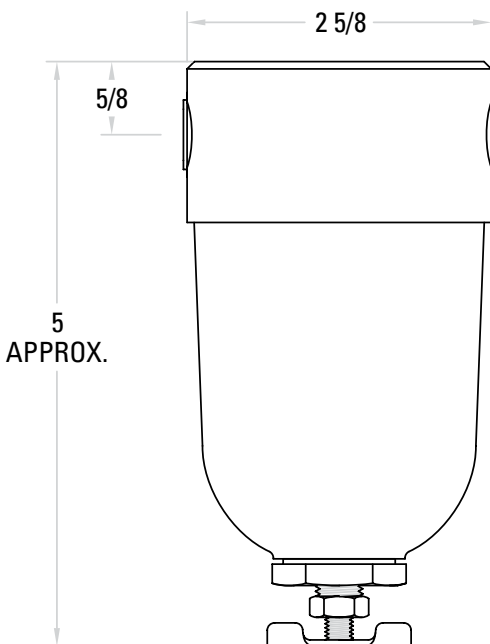
Materials of Construction

- Head:** Anodized Machined Aluminum
Bowl: Polycarbonate or Machined Aluminum
Element Retainer: Machined Aluminum
Element: Borosilicate Glass Fiber with Urethane Endcaps
Seals: Buna-N (fluorocarbon available)
Drain:
 - Manual: Brass and Plated Steel
 - Float: Anodized Aluminum housing w/ Acetal and Stainless Steel Float Mechanism
 - Impulse: Machined Aluminum, Brass, Buna-N (fluorocarbon available)
Bowl Guard: Stainless Steel
Sight Level: Trogamid
Pressure Drop Indicator: Polyethylene, Phosphate Coated Steel Retaining Ring, Polycarbonate Dome (Trogamid Available)
Stud: Brass

Flow Characteristics



Dimensions



Ordering Information

204-2009-2

Bowl Type	
Polycarbonate	0
Polycarbonate w/ Bowl Guard	1
Metal	2
Metal w/ Sight Level	3

Pipe Size	
1/4"	2
3/8"	3
1/2"	4

OPTIONS

Anodizing	
Green (Standard)	Blank
Blue	A1
Black	A2
Clear	A3
Red	A5
Yellow	A6
Gold	A7
Purple	A8

Drain	
Manual (Standard)	Blank
Impulse (External)	D
Float (Internal)	F

Seals	
Buna-N (Standard)	Blank
Fluorocarbon (Viton)	V

Mounting Hole	
Two 1/4-20 mounting holes on top surface	MH
1/4 NPT mounting hole on side	MS