



Features

- Automatic air control valve allows lubricator to be filled while in operation
- Stainless steel ball supplied with every lubricator to make any slotted screw adjusting lubricator tamperproof
- Quick fill option via a "Q" fitting in the lubricator head or base of the bowl
- Polycarbonate bowl or metal bowl available
- Bowl guard available with polycarbonate bowl
- Sight level available with metal bowl
- Tie rod construction

Operating Specifications

Bowl Capacity: 8 oz.

Maximum Pressure Ratings:

- Metal Bowl: 250 PSI
- Polycarbonate Bowl: 150 PSI

Temperature Ratings:

- Metal Bowl: 0-200°F
- Polycarbonate Bowl: 0-120°F

Accessories & Kits

Bowl Kits:

Polycarbonate: 21557

Metal: 21558

Metal with Sight Level:

21559 (Polycarbonate) or 21559 (Trogamid)

Sight Dome:

31535 (Polycarbonate) or 31537 (Trogamid)

Materials of Construction

Lubricator Head: Machined Aluminum

Bowl: Polycarbonate or Machined Aluminum

Capacity Valve: Acetal

Spring: Stainless Steel

Oil Adaptor: Brass

Ferrule: Machined Aluminum

Seals: Buna-N (fluorocarbon available)

Tamper-Proof Ball: Stainless Steel

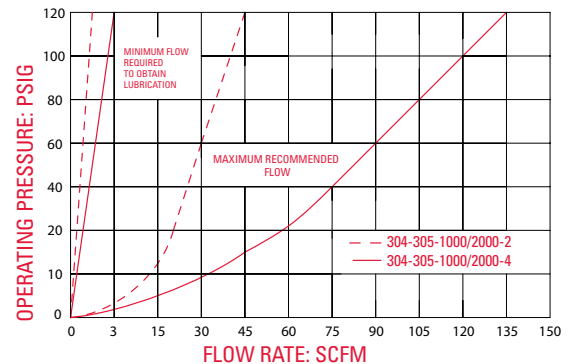
Sight Level and Sight Dome: Trogamid

Oil Pick-Up Tube: Polyethylene

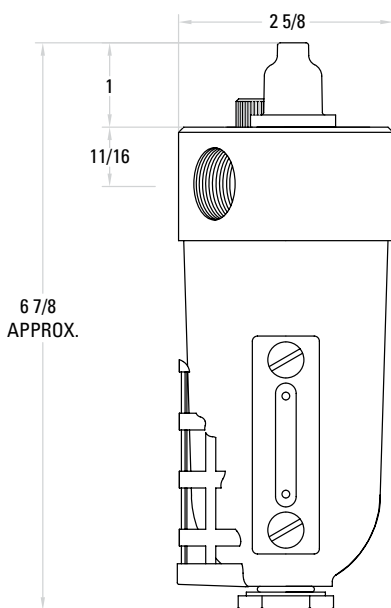
Bowl Guard: Stainless Steel

Oil Fill Plug: Machined Aluminum

Flow Characteristics



Dimensions



Ordering Information

304-1000-4

Bowl Type	
Polycarbonate	0
Polycarbonate w/ Bowl Guard	1
Metal	2
Metal w/Sight Level	3

Adjustment	
Slotted Screw	0
Knurled Knob	2

Pipe Size	
1/4"	2
3/8"	3
1/2"	4

OPTIONS

Anodizing		
No Anodizing (Standard)		Blank
Blue		A1
Black		A2
Clear		A3
Green		A4
Red		A5
Yellow		A6
Gold		A7
Purple		A8
Drain		
No Drain (Standard)		Blank
Twist		MD
Seals		
Buna-N (Standard)		Blank
Fluorocarbon		V
Mounting Hole		
Two 1/4-20 mounting holes on top surface		MH
1/4 NPT mounting hole on side		MS
Sight Level and Dome		
Trogamid		T
Fill/Drain Options		
Q Fitting on Head		QT
Q Fitting on Base of Bowl		QB