



## Features

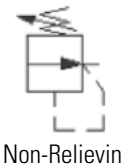
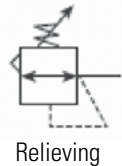
- All metal components are 316 SS
- Diaphragm style regulator for minimal hysteresis and greater responsiveness
- Relieving and non-relieving versions available
- Gauge port plugs included
- FDA approved seals available

## Accessories

- Regulator Kits:**  
**Relieving:** 11531SS  
**Non-Relieving:** 11532SS
- Panel Nut:** 11194SS  
**Bracket:** 11123SS

## Operating Specifications

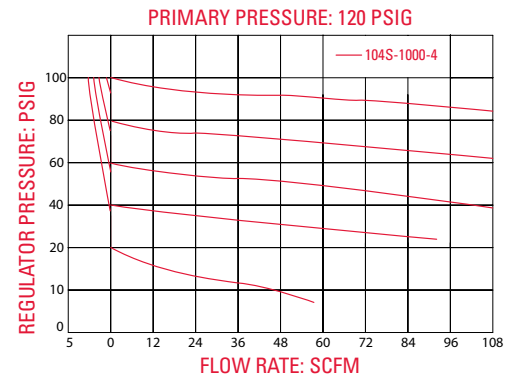
- Gauge Ports:** two 1/8" NPT (Standard)  
**Maximum Inlet Pressure:** 250 PSIG  
**Temperature Rating:** 0-175°F  
**Relief Port:** M5  
**Inlet/Outlet Ports:** 1/2" NPT



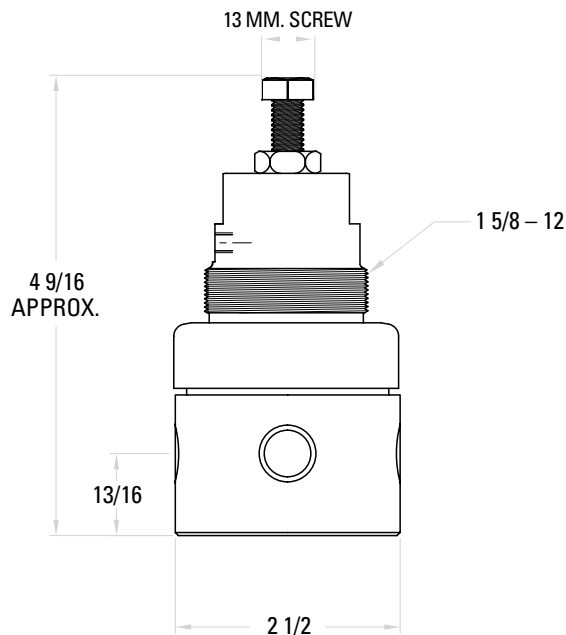
## Materials of Construction

- Body:** 316 Stainless Steel  
**Bonnet:** 316 Stainless Steel  
**Spring Guide:** 316 Stainless Steel  
**Diaphragm Gasket:** 316 Stainless Steel  
**Valve Seat:** 316 Stainless Steel  
**Poppet Valve Spring:** 316 Stainless Steel  
**Seals:** Fluorocarbon (FDA Approved Buna available)

## Flow Characteristics



## Dimensions



## Ordering Information

# 104S - 1000 - 4

Pressure Range	
10-130 PSI Relieving	00
10-130 PSI Non-Relieving	01
20-250 Relieving	06
20-250 Non-Relieving	07

GAUGE OPTION	
Attachment Parts	
Gauge	G
Seals	
Fluorocarbon (Standard)	Blank
FDA Buna-N	X