



Features

- Piston over piston actuation for fast response and compact design
- Large flow with negligible pressure drop

Operating Specifications

Maximum Pressure: 250 PSI
Temperature: 175°F
Pilot Port: 1/4" NPT
Gauge Ports: 1/4" NPT

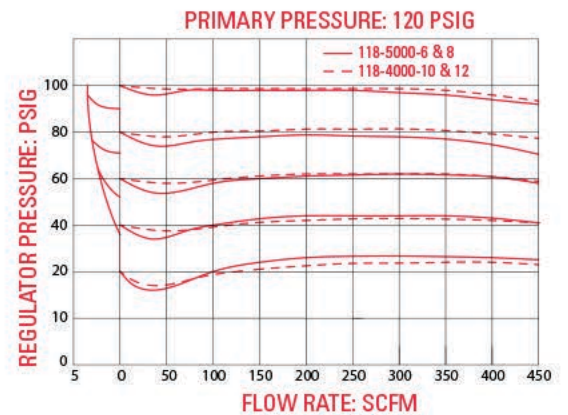
Accessories & Kits

Repair Kit: 14516

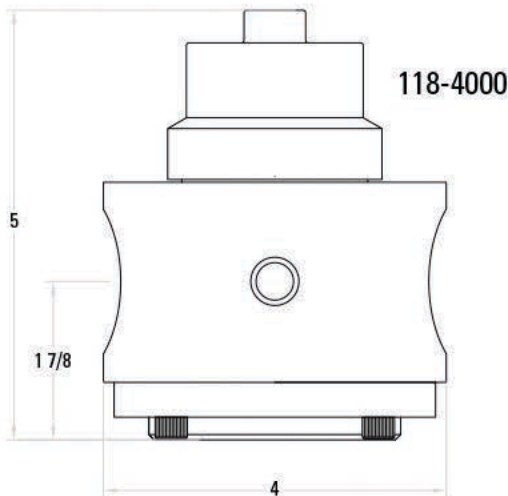
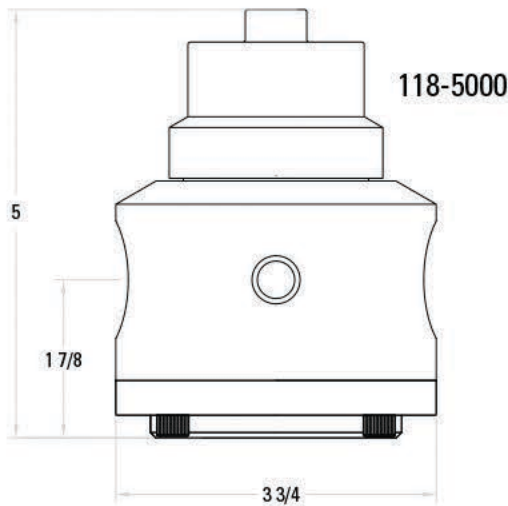
Materials of Construction

Body: Machined Aluminum
Bonnet: Machined Aluminum
Piston: Machined Aluminum
Air Cap: Machined Aluminum
Screws: Zinc Plated Steel
Seals: Buna-N (fluorocarbon available)
Poppet Spring: Stainless Steel
Poppet Seat: Brass
Poppet Valve: Brass

Flow Characteristics



Dimensions



Ordering Information

118-4000-6

| Series | |
|------------------------|---|
| 5000 (3/4" & 1") | 5 |
| 4000 (1 1/4" & 1 1/2") | 4 |

| Pipe Size | |
|-----------|----|
| 3/4" | 6 |
| 1" | 8 |
| 1 1/4" | 10 |
| 1 1/2" | 12 |

OPTIONS

| Anodizing | |
|-------------------------|-------|
| No Anodizing (Standard) | Blank |
| Blue | A1 |
| Black | A2 |
| Clear | A3 |
| Green | A4 |
| Red | A5 |
| Yellow | A6 |
| Gold | A7 |
| Purple | A8 |
| Seals | |
| Buna-N | Blank |
| Fluorocarbon | V |
| Attachment Parts | |
| Gauge | G |