



## Features

- All metal components are 316 SS
- Threaded bowl for ease of maintenance
- Filter and regulator consolidated into one assembly
- Reduces footprint of air prep assembly
- Manual, float or impulse drains available
- FDA approved seals available

## Operating Specifications

**Bowl Capacity:** 8 oz.  
**Maximum Pressure:** Metal Bowls: 250 PSI  
**Maximum Temperature:** Metal Bowls: 200°F  
**Ports:** 1/2" NPT  
**Gauge Port** = 1/8" per Lm

## Accessories

### Elements:

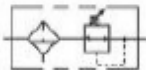
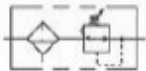
- 20 Micron:** 21205
- 10 Micron:** 21036
- 3 Micron:** 21037

### Regulator Kits:

- Relieving:** 11531SS
- Relieving (20-250 PSI):** 11538SS
- Non-Relieving:** 11532SS
- Non-Relieving (20-250 PSI):** 11539SS

**Panel Nut:** 11194SS

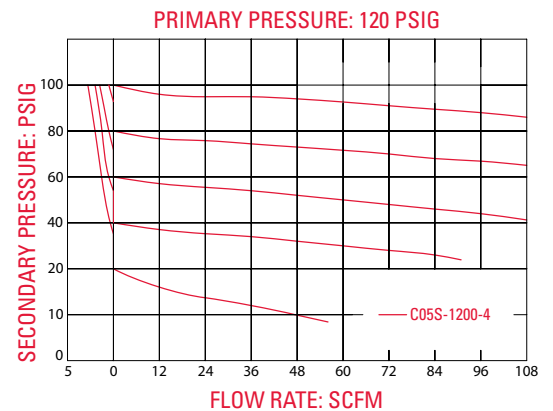
**Bracket:** 11123SS



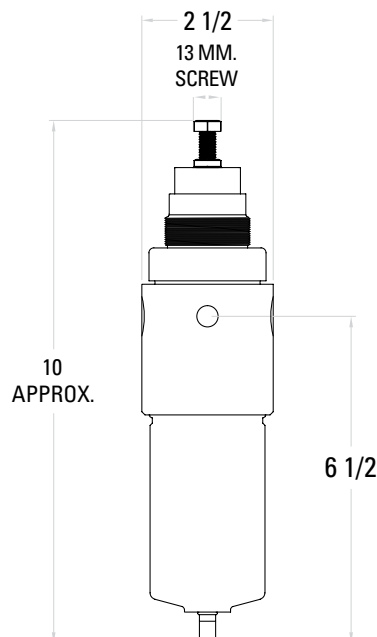
## Materials of Construction

**Body:** 316 Stainless Steel  
**Bonnet:** 316 Stainless Steel  
**Bowl:** 316 Stainless Steel  
**Spring Guide:** 316 Stainless Steel  
**Diaphragm Gasket:** 316 Stainless Steel  
**Valve Seat:** 316 Stainless Steel  
**Poppet Valve Spring:** 316 Stainless Steel  
**Whirl Disc:** 316 Stainless Steel  
**Seals:** Fluorocarbon (FDA Approved Buna available)  
**Element:** Phenolic Impregnated Acrylic Fibers  
**Drain:** - Manual: 316 SS  
 - Float: Acetal and Stainless Steel  
 - Impulse: 316SS & Fluorocarbon (FDA Approved Buna available)

## Flow Characteristics



## Dimensions



## Ordering Information

# C05S - 1200 - 4

Pressure Range	
10-130 PSI Relieving	0
10-130 PSI Non-Relieving	1
20-250 Relieving	6
20-250 Non-Relieving	7

Elements	
20 Micron	0
10 Micron	1
3 Micron	2

### OPTIONS

Attachment Parts	
Bracket	B
Seals	
Fluorocarbon (Standard)	Blank
FDA Buna-N	X
Drain	
Manual (Standard)	Blank
Impulse	D

Pipe Size	
1/2"	4