



Features

- Dense pack element design ensures long element life with minimal pressure drop
- Threaded bowl for ease of maintenance
- 20 micron element standard (10 and 5 micron elements available)
- Manual drain standard; impulse drain available

Operating Specifications

- Bowl Capacity:** 1 oz.
- Maximum Pressure Ratings:**
- Aluminum Bowl: 250 PSIG
 - Polycarbonate Bowl: 150 PSIG
- Temperature Ratings:**
- Aluminum Bowl: 0-200°F
 - Polycarbonate Bowl: 0-120°F

Materials of Construction

- Head:** Machined Aluminum
- Bowl:** Polycarbonate or Machined Aluminum
- Whirl Disc:** Acetal
- Element Retainer:** Celanese
- Elements:**
- Phenolic Impregnated Cellulose (20 & 10 Micron)
 - Polypropylene (5 Micron)
- Seals:** Buna-N (fluorocarbon available)
- Drain:** Manual (Brass and Stainless Steel)



Manual Drain

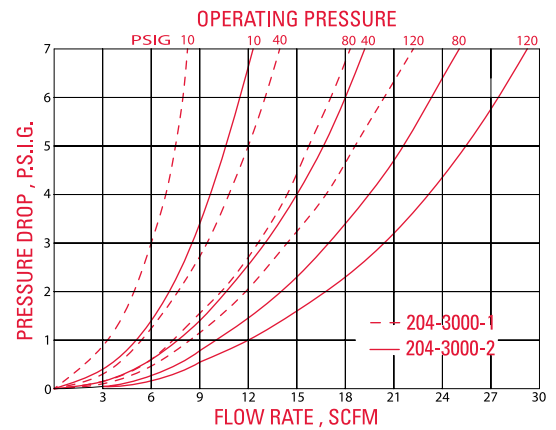


Automatic Drain

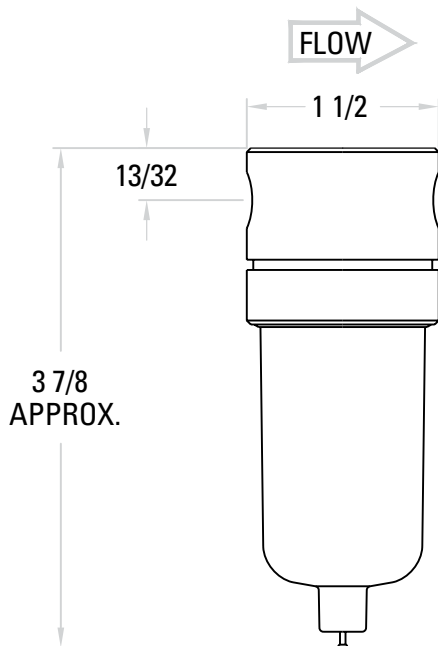
Accessories & Kits

- Bowl Kit w/ Manual Drain**
- Polycarbonate: 23520 Aluminum: 23533
- Bowl Kit w/ Impulse Drain**
- Polycarbonate: 23521 Aluminum: 23534
- Elements:**
- 20 Micron: 23004
 - 10 Micron: 23025
 - 5 Micron: 23040

Flow Characteristics



Dimensions



Ordering Information

204-3000-2

Bowl Type	
Polycarbonate	0
Polycarbonate w/ Bowl Guard	1
Metal	2
Elements	
20 Micron	0
10 Micron	1
5 Micron	2

Pipe Size	
1/8"	1
1/4"	2

OPTIONS

Anodizing	
No Anodizing	Blank
Blue	A1
Black	A2
Clear	A3
Green	A4
Red	A5
Yellow	A6
Gold	A7
Purple	A8
Drain	
Manual (Standard)	Blank
Impulse (External)	D
Seals	
Buna-N (Standard)	Blank
Fluorocarbon	V
Mounting Hole	
Two 1/4-20 mounting holes on top surface	MH