



Features

- Manifold mount regulators sized to ISO specifications
- Available with polycarbonate or aluminum bonnets
- Adapter plates available for mounting regulator to your manifold or sandwich block
- Manifolds available - call factory for details

Operating Specifications

SIZE	1	2	3
Inlet Hole:	3/8"	11/16"	13/16"
Outlet Hole:	(2) 1/4"	(2) 7/16"	(2) 7/16"
Mounting Threads:	10-32 UNF	10-32 UNF	1/4-20 UNF
Maximum Temperature:	175°F	175°F	175°F
Maximum Inlet Pressure:	250 PSI	250 PSI	250 PSI

Accessories & Kits

SIZE	1	2	3
Repair Kit:	11716	11716	11836
Mounting Kits:	11708	11718	11838

Materials of Construction

- Body:** Aluminum
- Bonnet:** Polycarbonate or Aluminum
- Adjusting Screw:** Zinc Plated Steel
- Locking Nut:** Zinc Plated Steel
- Spring Guide:** Zinc Plated Steel
- Poppet Valve Guide:** Brass
- Poppet Valve Spring:** Stainless Steel
- Valve Seat:** Brass
- Seals:** Buna-N (fluorocarbon available)
- Compression Spring:** Spring Steel
- Piston:** Aluminum



Ordering Information

R 01-10 A

Pilot Option		Gauge Ports		Body Size		Pressure		OPTIONS	
Compression Spring	Blank	Yes	0	Size 1	1	10-130 Relieving	0	Anodizing	
Pilot Operated	P	No	1	Size 2	2	10-130 Non-Relieving	1	No Anodizing (Standard)	Blank
				Size 3	3	5-60 Relieving	2	Blue	A1
				Pressure		5-60 Non-Relieving	3	Black	A2
				10-130 Relieving	0	3-30 Relieving	4	Clear	A3
				10-130 Non-Relieving	1	3-30 Non-Relieving	5	Green	A4
				20-250 Relieving (metal bonnet only)	6	20-250 Relieving (metal bonnet only)	6	Red	A5
				20-250 Non-Relieving (metal bonnet only)	7	20-250 Non-Relieving (metal bonnet only)	7	Yellow	A6
								Gold	A7
								Purple	A8
								Seals	
								Buna-N	Blank
								Fluorocarbon	V
								Attachment Parts	
								Knob (Aluminum Bonnet only)	K
								Bonnet	
								Aluminum Bonnet	A
								Polycarbonate Bonnet (Size 1 & 2 only)	P

SIZE 1

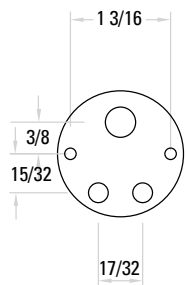
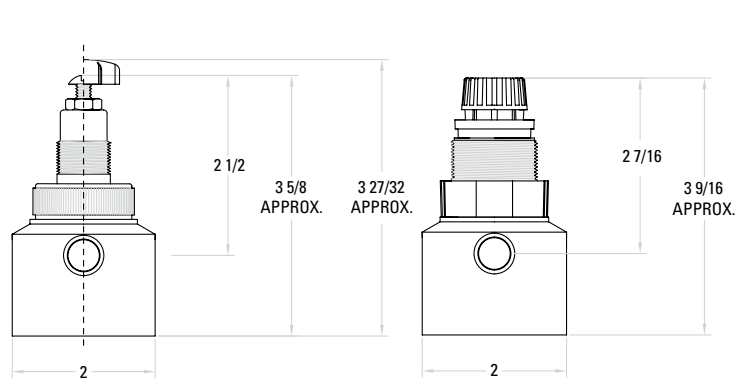
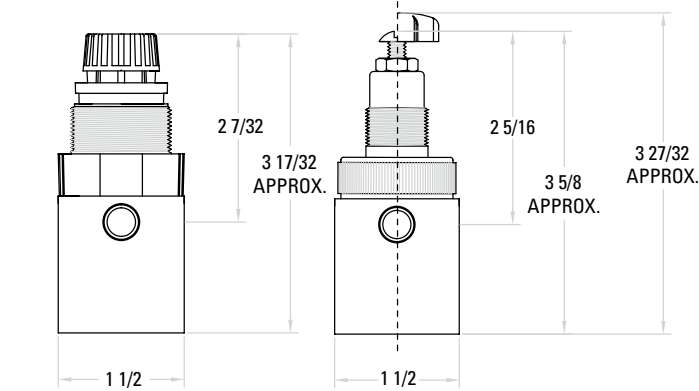
SIZE 2

PLASTIC BONNET

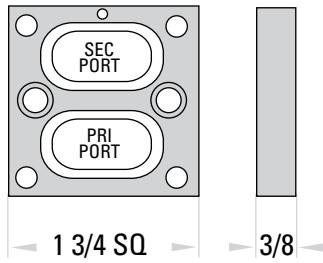
ALUMINUM BONNET

ALUMINUM BONNET

PLASTIC BONNET

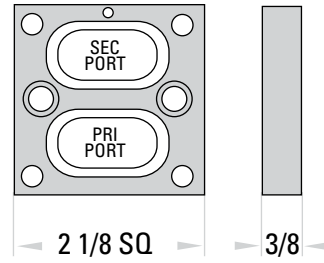


Adaptor Plate Kit

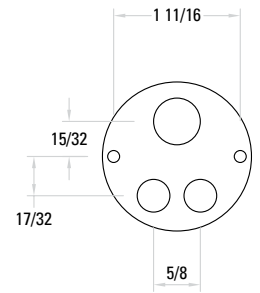


Order Part Number 11708

Adaptor Plate Kit

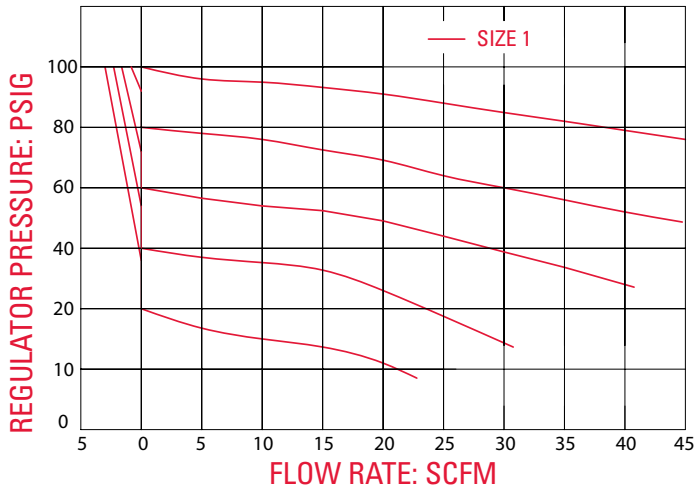


Order Part Number 11718



Flow Characteristics

PRIMARY PRESSURE: 120 PSIG
AVERAGE Cv=.97

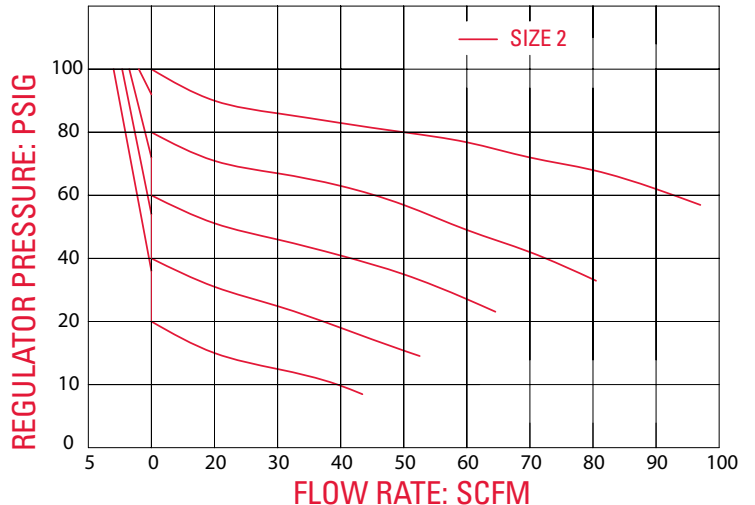


INVERSE PRESSURE EFFECT

For each 25 PSI primary pressure change, the secondary pressure reacts inversely 1 PSI.

Flow Characteristics

PRIMARY PRESSURE: 120 PSIG
AVERAGE Cv=1.52

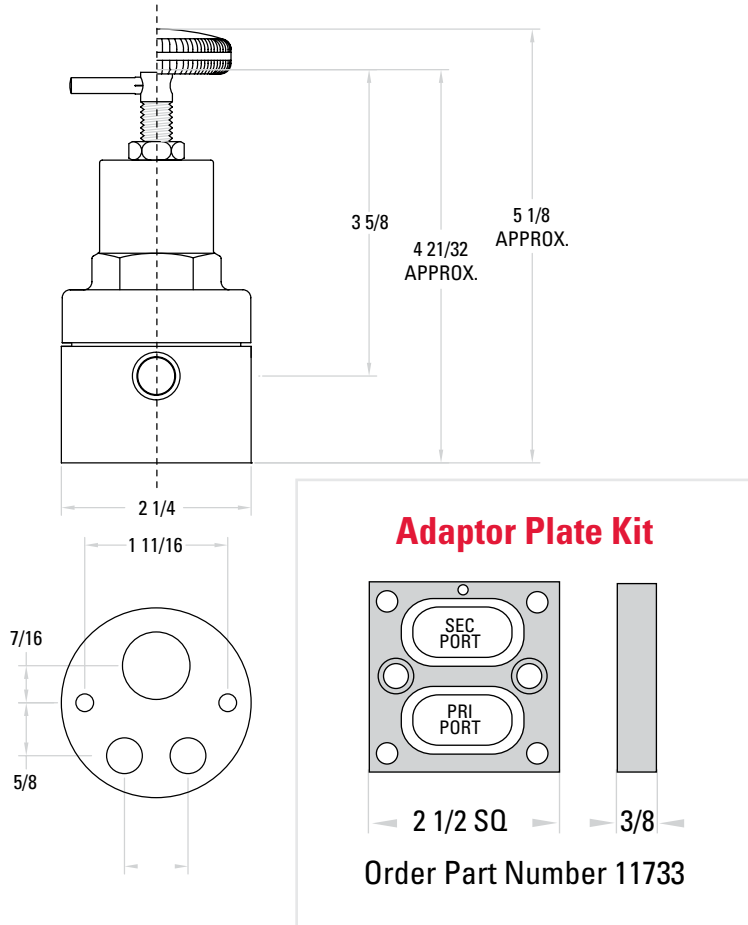


INVERSE PRESSURE EFFECT

For each 50 PSI primary pressure change, the secondary pressure reacts inversely 1 PSI.

SIZE 3

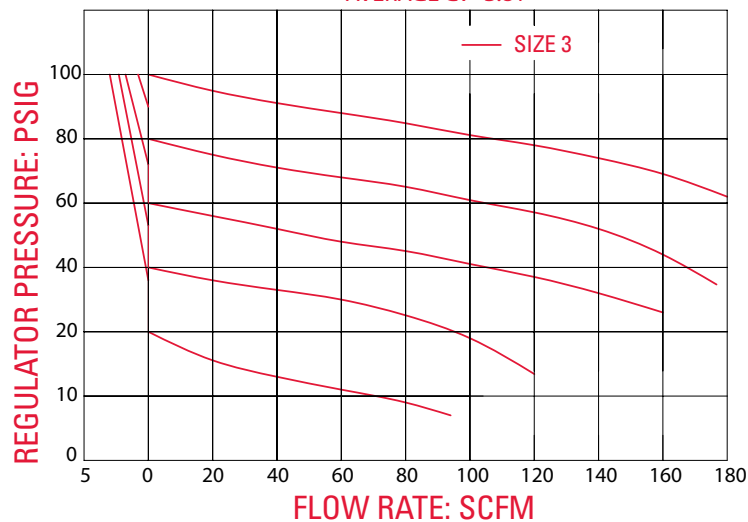
ALUMINUM BONNET



Flow Characteristics

PRIMARY PRESSURE: 120 PSIG

AVERAGE Cv=3.61



INVERSE PRESSURE EFFECT

For each 50 PSI primary pressure change, the secondary pressure reacts inversely 1 PSI.