



Stainless Steel Air Preparation Products

TABLE OF CONTENTS

204S-3200 Series	2
204S-3209 Series	3
205S-1200 Series	4
205S-1209 Series	5
101S-3000 Series	6
104S-1000 Series	7
B01S-3200 Series	8
B01S-3209 Series	9
C05S-1200 Series	10

Monnier offers a line of particulate filters, coalescing filters, regulators and filter/regulators in 316 Stainless Steel. Designed to withstand caustic solutions, harsh operating conditions and other demanding applications, the Monnier Stainless Line is ideal for the following industries:

- Food preparation and packaging
- Pharmaceutical
- Natural gas
- Offshore
- Wastewater treatment

Designed with those demanding applications in mind, highlights of the Monnier Stainless Line include:

- 316 Stainless Steel: All metal components, including internals, are made of 316 SS, making them the most impervious to any sort of degradation.
- NACE Compliant: Each component of the stainless line adheres to the NACE MR0175 standard.
- Flexibility: All options found in our machined aluminum miniature series are available in the stainless line, including pressure ranges, element ratings and automatic drain options.

WARRANTY: Monnier warrants each product against defects in material and workmanship for a period of one year from the date of manufacture providing its use was in accordance with Monnier recommendations. If the product fails to perform as warranted, Monnier will, at its option, repair or replace the product free of charge. The company will not be liable for incidental or consequential damages. We make no other warranty, expressed or implied, including warranties of merchantability or fitness for a particular purpose.



Features

- NACE MR0175 Compliant
- 316 SS housing and internal components
- Excellent water and particulate removal efficiency
- Threaded bowl and element retainer for easy maintenance
- Bowl seal held captive
- 20 micron element standard; 10 & 5 micron elements available
- Manual or automatic drains
- Whirl disc design creates high centrifugal force with minimal pressure drop
- 1 oz. bowl capacity
- High flow: 25 SCFM @ 80 PSIG inlet with 7 PSI ΔP

Materials of Construction

- Head:** 316 Stainless Steel
- Bowl:** 316 Stainless Steel
- Whirl Disc:** 316 Stainless Steel
- Element Retainer:** Polypropylene
- Element:** Phenolic/Melamine Impregnated Cellulose
- Seals:** Fluorocarbon
- Drain:** 316 Stainless Steel (Manual & Impulse)

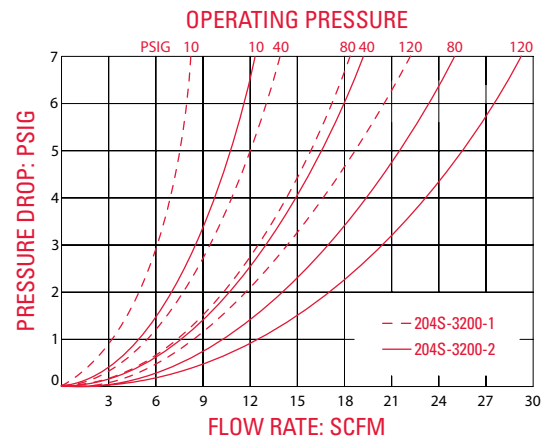
Operating Specifications

Maximum Pressure: 250 PSI
Maximum Temperature: 200°F

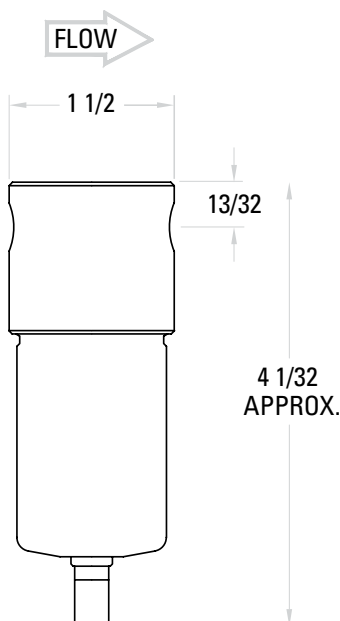
Replacement Parts

Elements	20 Micron	23004
	10 Micron	23025
	5 Micron	23040
Bowl Kits w/Drains	Manual Drain	23533SS
	Impulse Drain	23534SS

Flow Characteristics



Dimensions



Ordering Information

204S - 3200 - 2

Elements	
20 Micron	0
10 Micron	1
5 Micron	2

Pipe Size	
1/8"	1
1/4"	2

GAUGE OPTION	
Drain	
Manual (Standard)	Blank
Impulse (Automatic)	D
Seals	
Fluorocarbon (Standard)	Blank
FDA Buna-N	X



Features

- NACE MR0175 Compliant
- 316 SS housing and internal components
- Removes more than 99.95% of oil and dirt from air lines
- Threaded bowl and element retainer for easy maintenance
- Bowl seal held captive
- 0.3 micron element standard; 0.01 available for high purity applications
- Now available with carbon elements
- Manual or automatic drains
- 1 oz. bowl capacity

Operating Specifications

Maximum Pressure: 250 PSI
Maximum Temperature: 200°F

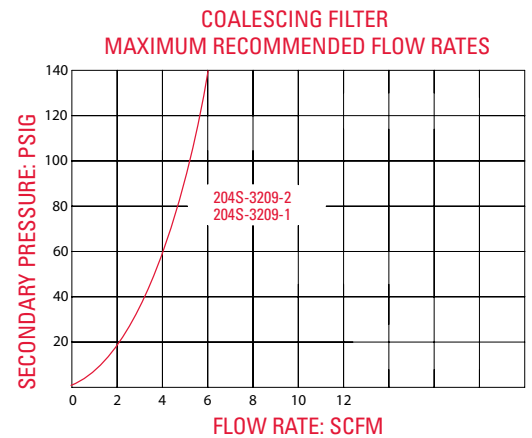
Replacement Parts

Elements	0.3 Micron	23543
	0.01 Micron	23592
	Carbon	23758
Bowl Kits w/Drains	Manual Drain	23533SS
	Impulse Drain	23534SS

Materials of Construction

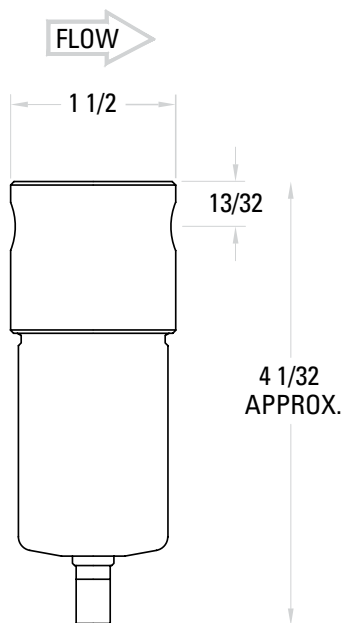
Head: 316 Stainless Steel
Bowl: 316 Stainless Steel
Whirl Disc: 316 Stainless Steel
Element Retainer: Polypropylene
Element: Borosilicate Glass Fiber
Seals: Fluorocarbon
Drain: 316 Stainless Steel (Manual & Impulse)

Flow Characteristics



Data represents flows through saturated elements at 2 PSI pressure drop, the maximum permissible for proper coalescing action.

Dimensions



Ordering Information

204S - 3209 - 2

Elements	
0.3 Micron	9
0.01 Micron	8
Carbon	7

Pipe Size	
1/8"	1
1/4"	2

GAUGE OPTION

Drain	
Manual (Standard)	Blank
Impulse (Automatic)	D

Seals	
Fluorocarbon (Standard)	Blank
FDA Buna-N	X



Features

- NACE MR0175 Compliant
- 316 SS housing and internal components
- Excellent water and particulate removal efficiency
- Threaded bowl and element retainer for easy maintenance
- Bowl seal held captive
- 20 micron element standard; 10 & 3 micron elements available
- Manual or automatic drains
- Whirl disc design creates high centrifugal force with minimal pressure drop
- 8 oz. bowl capacity
- High flow: 25 SCFM @ 80 PSIG inlet with 7 PSI ΔP

Materials of Construction

- Head:** 316 Stainless Steel
- Bowl:** 316 Stainless Steel
- Whirl Disc:** 316 Stainless Steel
- Stud:** 316 Stainless Steel
- Element Retainer:** 316 Stainless Steel
- Seals:** Fluorocarbon (FDA Approved Buna available)
- Element:** Phenolic Impregnated Cellulose
- Drain:**
 - Manual: 316 Stainless Steel
 - Float: Acetal and Stainless Steel
 - Impulse: 316SS & Fluorocarbon (FDA Approved Buna available)

Accessories

- 20 Micron:** 21205
- 10 Micron:** 21036
- 3 Micron:** 21037



Manual Drain

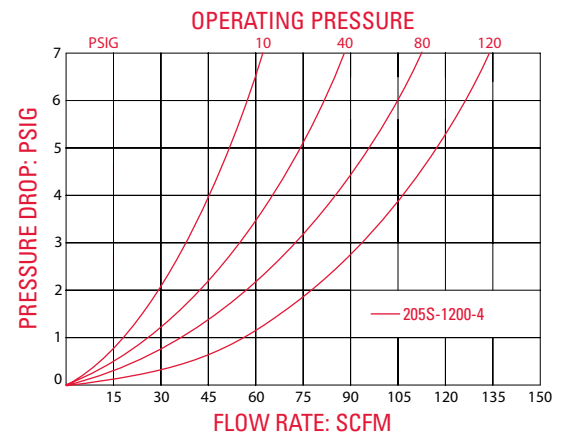


Automatic Drain

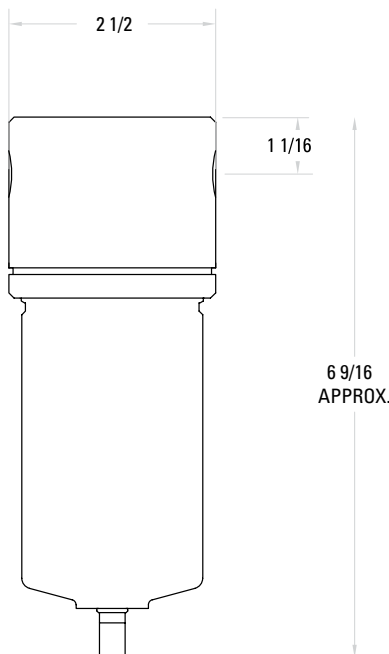
Operating Specifications

- Bowl Capacity:** 8 oz.
- Pressure Rating:** 250 PSIG
- Temperature Rating:** 0 - 200°F
- Ports:** 1/2" NPT

Flow Characteristics



Dimensions



Ordering Information

205S - 1200 - 3

Elements	
20 Micron	0
10 Micron	1
3 Micron	2

Pipe Size	
1/4"	2
3/8"	3

GAUGE OPTION	
Drain	
Manual (Standard)	Blank
Impulse (Automatic)	D
Seals	
Fluorocarbon (Standard)	Blank
FDA Buna-N	X



Features

- All metal components are 316 SS
- Removes liquid and sub-micron solids
- 0.3 Micron Element removes 99.97% of dirt and oil from air
- 0.01 Micron Element removes 99.995% of dirt and oil from air
- Also available with carbon elements
- Available with manual, float or impulse drain
- Threaded bowl for ease of maintenance
- 8 oz. bowl capacity

Accessories

Elements:

- 0.3 Micron:** 21720
- 0.01 Micron:** 21762
- Carbon:** 21756

Operating Specifications

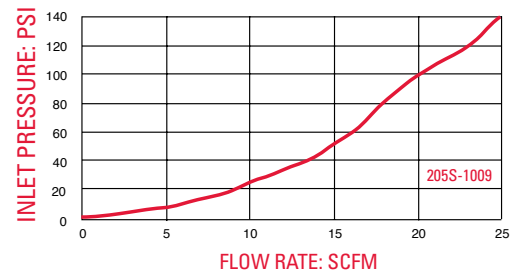
- Bowl Capacity:** 8 oz.
- Pressure Rating:** 250 PSIG
- Temperature Rating:** 0 - 200°F
- Ports:** 1/2" NPT

Materials of Construction

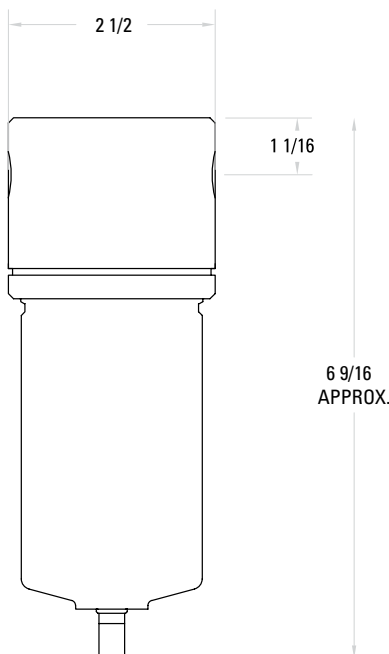
- Head:** 316 Stainless Steel
- Bowl:** 316 Stainless Steel
- Whirl Disc:** 316 Stainless Steel
- Stud:** 316 Stainless Steel
- Element Retainer:** 316 Stainless Steel
- Seals:** Fluorocarbon (FDA Approved Buna available)
- Drain:**
 - Manual: 316 Stainless Steel
 - Impulse: 316SS & Fluorocarbon (FDA Approved Buna available)



Flow Characteristics



Dimensions



Ordering Information

205S - 1209 - 3

Elements	
0.3 Micron	9
0.01 Micron	8
Carbon	7

Pipe Size	
1/4"	2
3/8"	3

GAUGE OPTION

Drain	
Manual (Standard)	Blank
Impulse (Automatic)	D

Seals	
Fluorocarbon (Standard)	Blank
FDA Buna-N	X



Features

- NACE MR0175 Compliant
- All metal components are 316 SS
- Available with stainless steel or acetal bonnet with locking ring
- Diaphragm design for greater accuracy, responsiveness and repeatability
- Fluorocarbon seals
- Available in relieving or non-relieving
- Relieving bonnet is designed without relief hole for greater protection in harsh environments

Materials of Construction

- Body:** 316 Stainless Steel
Bonnet: 316 Stainless Steel (111 Series); Acetal (101 Series)
Adjustment Screw: 316 Stainless Steel
Poppet: Fluorocarbon
Poppet Seat: 316 Stainless Steel
Diaphragm Assembly: Fluorocarbon w/ 316 SS Components
Seals: Fluorocarbon
Springs: 316 Stainless Steel

Accessories

Mounting Nut: 13133SS (101); 13025SS (111)

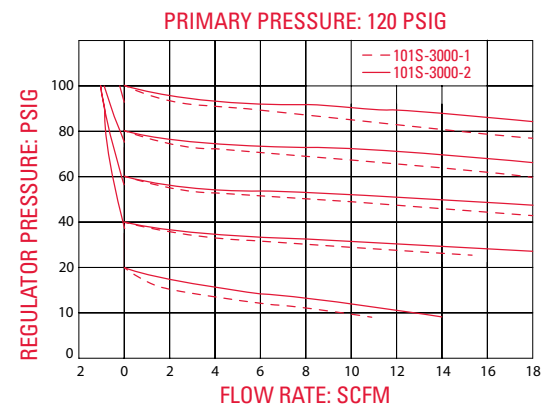
Operating Specifications

Maximum Pressure: 250 PSI
Maximum Temperature: 200°F

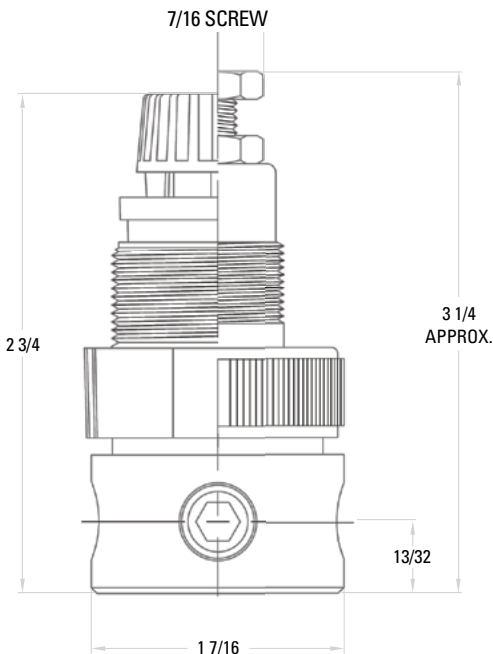
Replacement Parts

Repair Kit	Relieving	13532SS
	Non Relieving	13533SS

Flow Characteristics



Dimensions



Ordering Information

101S - 3000 - 2

Bonnet		Gauge Ports		Pipe Size		Gauge Option	
Acetal	0	Gauge Port	0	1/8"	1	Fluorocarbon (Standard)	Blank
316 SS	1	No Gauge Port	1	1/4"	2	FDA Buna-N	X
						Preset	
						None (Standard)	Blank
						Preset	P
						Tamper Resistant (Acetal Bonnet)	T
						Non-Adjustable	TS
						Set Screw (SS Bonnet)	
		Pressure Range					
		10-130 PSI Relieving		00			
		10-130 PSI Non-Relieving		01			
		5-60 Relieving		02			
		5-60 Non-Relieving		03			
		3-30 Relieving		04			
		3-30 Non-Relieving		05			
		20-250 Relieving		06			
		20-250 Non-Relieving		07			
		1-10 Relieving		08			
		1-10 Non-Relieving		09			



Features

- All metal components are 316 SS
- Diaphragm style regulator for minimal hysteresis and greater responsiveness
- Relieving and non-relieving versions available
- Gauge port plugs included
- FDA approved seals available

Accessories

Regulator Kits:

Relieving: 11531SS

Non-Relieving: 11532SS

Panel Nut: 11194SS

Bracket: 11123SS

Operating Specifications

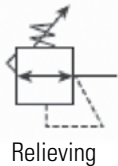
Gauge Ports: two 1/8" NPT (Standard)

Maximum Inlet Pressure: 250 PSIG

Temperature Rating: 0-175°F

Relief Port: M5

Inlet/Outlet Ports: 1/2" NPT



Relieving



Non-Relieving

Materials of Construction

Body: 316 Stainless Steel

Bonnet: 316 Stainless Steel

Spring Guide: 316 Stainless Steel

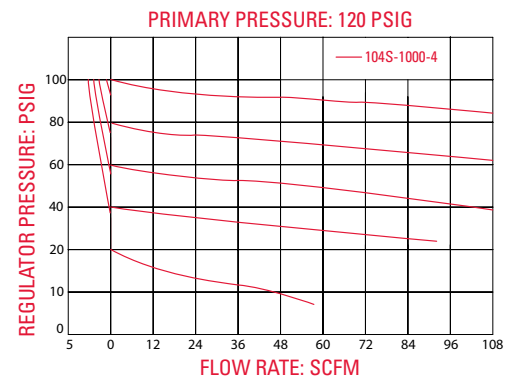
Diaphragm Gasket: 316 Stainless Steel

Valve Seat: 316 Stainless Steel

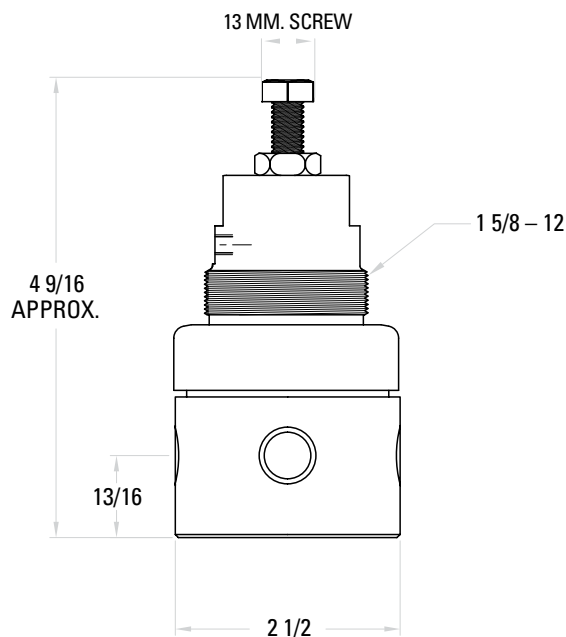
Poppet Valve Spring: 316 Stainless Steel

Seals: Fluorocarbon (FDA Approved Buna available)

Flow Characteristics



Dimensions



Ordering Information

104S - 1000 - 4

Pressure Range	
10-130 PSI Relieving	00
10-130 PSI Non-Relieving	01
20-250 Relieving	06
20-250 Non-Relieving	07

GAUGE OPTION	
Attachment Parts	
Gauge	G
Seals	
Fluorocarbon (Standard)	Blank
FDA Buna-N	X



Features

- NACE MR0175 Compliant
- All metal components are 316 SS
- Available with stainless steel or acetal bonnet with locking ring
- Diaphragm design for greater accuracy, responsiveness and repeatability
- Fluorocarbon seals
- Threaded bowl and element retainer for easy maintenance
- Bowl seal held captive
- Manual or automatic drains

Accessories

Mounting Nut: 13133SS (C01); 13025SS (B01)

Operating Specifications

Maximum Pressure: 250 PSI
Maximum Temperature: 200°F

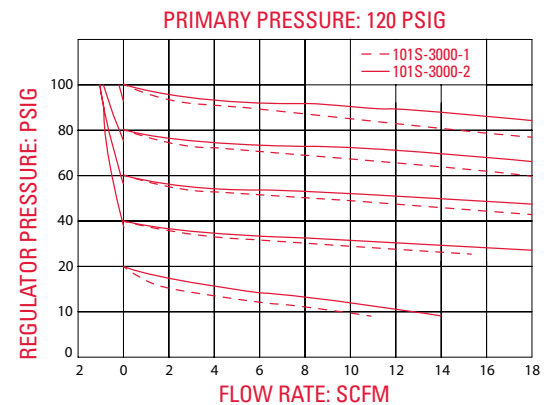
Replacement Parts

Repair Kit	Relieving	13532SS
	Non-Relieving	13533SS
Elements	20 Micron	23004
	10 Micron	23025
	5 Micron	23040
Bowl Kits w/Drains	Manual Drain	23533SS
	Impulse Drain	23534SS

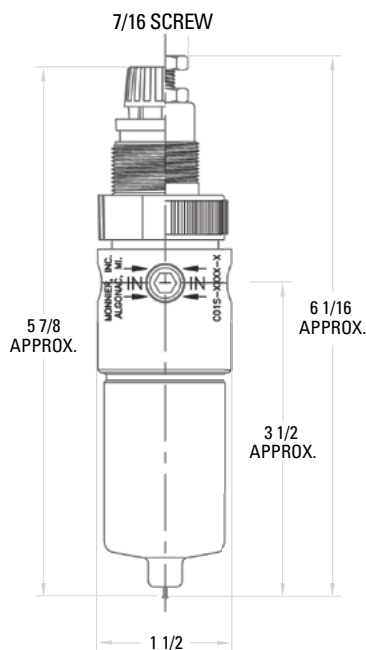
Materials of Construction

- Body:** 316 Stainless Steel
- Bonnet:** 316 Stainless Steel (C01 Series); Acetal (B01 Series)
- Adjustment Screw:** 316 Stainless Steel
- Poppet:** Fluorocarbon
- Poppet Seat:** 316 Stainless Steel
- Diaphragm Assembly:** Fluorocarbon w/ 316 SS Components
- Seals:** Fluorocarbon
- Springs:** 316 Stainless Steel
- Bowl:** 316 Stainless Steel
- Whirl Disc:** 316 Stainless Steel
- Element Retainer:** Polypropylene
- Element:** Phenolic/Melamine Impregnated Cellulose
- Drain:** 316 Stainless Steel (Manual & Impulse)

Flow Characteristics



Dimensions



Ordering Information

B01S - 3200 - 2

Bonnet		Pressure Range		Options	
Acetal	B	10-130 PSI Relieving	0	Seals	
316 SS	C	10-130 PSI Non-Relieving	1	FluorocarboN (Standard)	Blank
		5-60 Relieving	2	FDA Buna-N	X
		5-60 Non-Relieving	3	Drain	
		3-30 Relieving	4	Manual (Standard)	Blank
		3-30 Non-Relieving	5	Impulse (Automatic)	D
		20-250 Relieving	6		
		20-250 Non-Relieving	7	Pipe Size	
		1-10 Relieving	8	1/8"	1
		1-10 Non-Relieving	9	1/4"	2
		Elements			
		20 Micron	0		
		10 Micron	1		
		5 Micron	2		



Features

- NACE MR0175 Compliant
- Available with stainless steel or acetal bonnet with locking ring
- Diaphragm design for greater accuracy, responsiveness and repeatability
- Fluorocarbon seals
- Excellent water and particulate removal efficiency
- Threaded bowl and element retainer for easy maintenance
- Bowl seal held captive
- 0.3 micron element standard; 0.01 available for high purity applications
- Now available with Carbon elements
- Manual or automatic drains

Operating Specifications

Maximum Pressure: 250 PSI
Maximum Temperature: 200°F

Replacement Parts

Repair Kit	Relieving	13532SS
	Non-Relieving	13533SS
Elements	0.3 Micron	23543
	0.01 Micron	23751
	Carbon	23758
Bowl Kits w/Drains	Manual Drain	23533SS
	Impulse Drain	23534SS

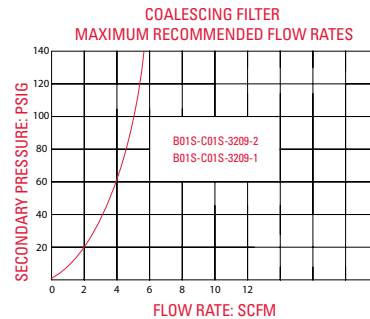
Materials of Construction

Body: 316 Stainless Steel
Bonnet: 316 Stainless Steel (C01 Series); Acetal (B01 Series)
Adjustment Screw: 316 Stainless Steel
Poppet: Fluorocarbon
Poppet Seat: 316 Stainless Steel
Diaphragm Assembly: Fluorocarbon w/ 316 SS Components
Seals: Fluorocarbon **Springs:** 316 Stainless Steel
Bowl: 316 Stainless Steel
Whirl Disc: 316 Stainless Steel
Element Retainer: Polypropylene
Element: Borosilicate Glass Fiber
Drain: 316 Stainless Steel (Manual & Impulse)

Accessories

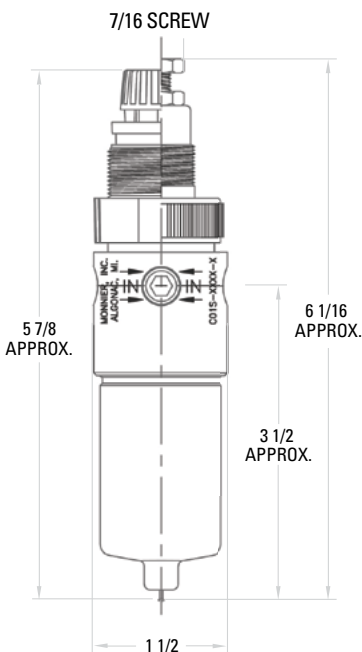
Mounting Nut: 13133SS (B01); 13025SS (C01)

Flow Characteristics



Data represents flows through saturated elements at 2 PSI pressure drop, the maximum permissible for proper coalescing action.

Dimensions



Ordering Information

C01S - 3209 - 2

Bonnet	
Acetal	B
316 SS	C

Pressure Range	
10-130 PSI Relieving	0
10-130 PSI Non-Relieving	1
5-60 Relieving	2
5-60 Non-Relieving	3
3-30 Relieving	4
3-30 Non-Relieving	5
20-250 Relieving	6
20-250 Non-Relieving	7
1-10 Relieving	8
1-10 Non-Relieving	9

Elements	
.3 Micron	9
.01 Micron	8
Carbon	7

OPTIONS	
Seals	
Fluorocarbon(Standard)	Blank
FDA Buna-N	X
Drain	
Manual (Standard)	Blank
Impulse (Automatic)	D

Pipe Size	
1/8"	1
1/4"	2



Features

- All metal components are 316 SS
- Threaded bowl for ease of maintenance
- Filter and regulator consolidated into one assembly
- Reduces footprint of air prep assembly
- Manual, float or impulse drains available
- FDA approved seals available

Operating Specifications

Bowl Capacity: 8 oz.
Maximum Pressure: Metal Bowls: 250 PSI
Maximum Temperature: Metal Bowls: 200°F
Ports: 1/2" NPT
Gauge Port = 1/8" per Lm

Accessories

Elements:

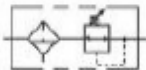
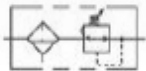
- 20 Micron:** 21205
- 10 Micron:** 21036
- 3 Micron:** 21037

Regulator Kits:

- Relieving:** 11531SS
- Relieving (20-250 PSI):** 11538SS
- Non-Relieving:** 11532SS
- Non-Relieving (20-250 PSI):** 11539SS

Panel Nut: 11194SS

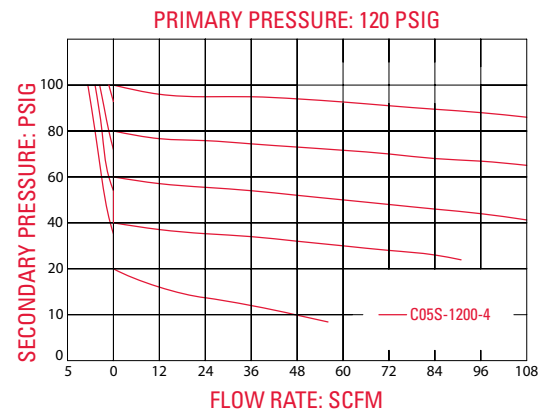
Bracket: 11123SS



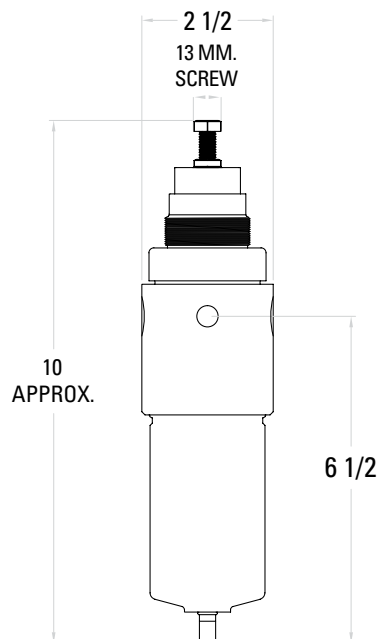
Materials of Construction

Body: 316 Stainless Steel
Bonnet: 316 Stainless Steel
Bowl: 316 Stainless Steel
Spring Guide: 316 Stainless Steel
Diaphragm Gasket: 316 Stainless Steel
Valve Seat: 316 Stainless Steel
Poppet Valve Spring: 316 Stainless Steel
Whirl Disc: 316 Stainless Steel
Seals: Fluorocarbon (FDA Approved Buna available)
Element: Phenolic Impregnated Acrylic Fibers
Drain: - Manual: 316 SS
 - Float: Acetal and Stainless Steel
 - Impulse: 316SS & Fluorocarbon (FDA Approved Buna available)

Flow Characteristics



Dimensions



Ordering Information

C05S - 1200 - 4

Pressure Range	
10-130 PSI Relieving	0
10-130 PSI Non-Relieving	1
20-250 Relieving	6
20-250 Non-Relieving	7

Elements	
20 Micron	0
10 Micron	1
3 Micron	2

OPTIONS

Attachment Parts	
Bracket	B
Seals	
Fluorocarbon(Standard)	Blank
FDA Buna-N	X
Drain	
Manual (Standard)	Blank
Impulse	D

Pipe Size	
1/2"	4