



## Features

- Specifically designed for use with low-volume air flows or for dead-end service
- Ideal where space is at a premium
- True instrumentation quality
- Lightweight compact design
- Excellent repeatability
- Available as pilot operated

## Operating Specifications

**Maximum Pressure:** 250 PSIG  
**Temperature:** 0-175°F

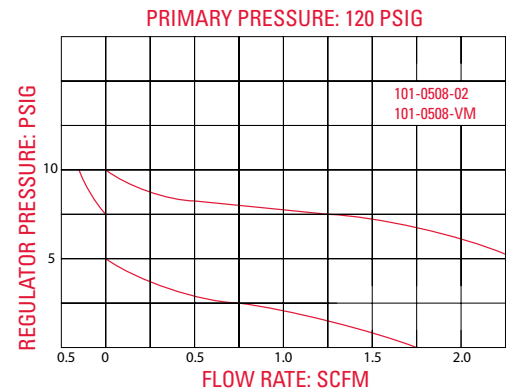
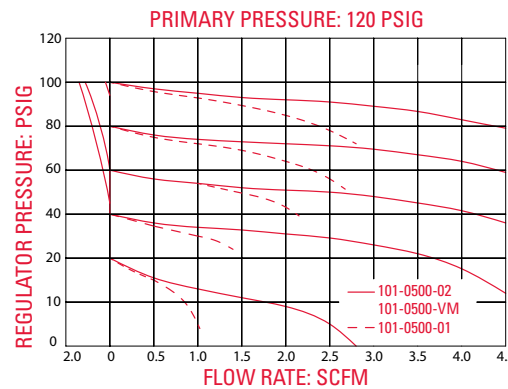
## Materials of Construction

- Body:** Anodized Aluminum
- Bonnet:** Anodized Aluminum
- Spring:** Spring Steel
- Adjustment Knob & Screw:** Plastic and Plated Steel
- Stem:** Brass
- Tube Fittings:** Brass
- Seals:** Buna-N (fluorocarbon available)
- Panel Nut:** Plated Steel
- Spring Guide:** Zinc Chromate Plated Steel
- Poppet Spring:** Stainless Steel
- Poppet Valve:** Buna-N (fluorocarbon available)

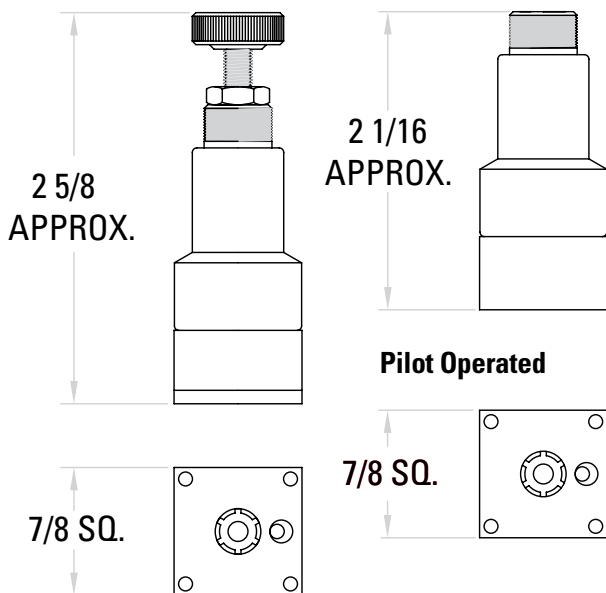
## Accessories & Kits

- Repair Kit:** 10502
- Panel Nut:** 10015
- Gasket Mounting Kit:** 10514 (VM option only)

## Flow Characteristics



## Dimensions



## Ordering Information

# 101-0500-01

Adjustment Style	
Compression Spring (standard)	01
Pilot Operated	18

Pressure Range	
0-100 Relieving	00
0-100 Non-Relieving	01
0-25 Relieving	04
0-25 Non-Relieving	05
1-10 Relieving	08
1-10 Non-Relieving	09

Connection Type	
1/16 ID Tubing Fitting	01
1/8 ID Tubing Fitting	02
Sub-base Mounted	VM

### OPTIONS

Anodizing	
No Anodizing (Standard)	Blank
Blue	A1
Black	A2
Clear	A3
Green	A4
Red	A5
Yellow	A6
Gold	A7
Purple	A8
Seals	
Buna-N	Blank
Fluorocarbon	V
Tamperproof	
Preset	P
Preset & Tamper-Proof	PT