

Monnier particulate filters remove solid and liquid contaminants from compressed air. The proper selection and use of compressed air filters will prevent many short and long term issues with your compressed air equipment and systems, and save you substantially in down-time and component replacement costs over the life of your compressed air system.

Filter Function

Monnier particulate filters use two operating principles to remove contaminants from compressed air: Centrifugal force via the whirl disc and particulate impaction by our exclusive dense pack elements.

Air enters the inlet port and is forced through the whirl disc. The whirling action forces all liquids and solids against the bowl wall. Gravity causes them to run down below the quiet-zone baffle where they can be drained. The air then flows through the element where the smaller particles are removed and the filtered air passes downstream.

Exclusive Dense Pack Element Design

Our unique element design provides multiple points of impaction throughout the cross section of the element. This guarantees that the maximum amount of particulate is captured while also ensuring minimal pressure drop over the long life of the element. 20 Micron filter elements are standard in all particulate filters. Additional options are available, as fine as 3 micron. Please see individual product pages for more details. Care should be taken in selecting the element, ensuring that the inlet air quality and the requirements of the downstream components are considered.

Optional Components

Drains: Manual drains are standard. Impulse Drains ("D") or Float Drains ("F") available, depending on product family.

Anodizing: Units can be anodized any of 8 colors. (Colors available: blue, black, clear, green, red, yellow, gold, and purple).

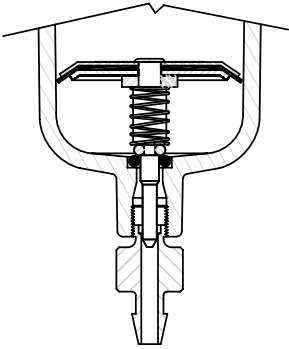
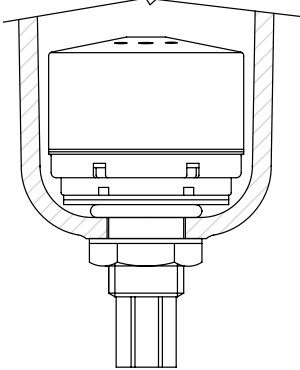
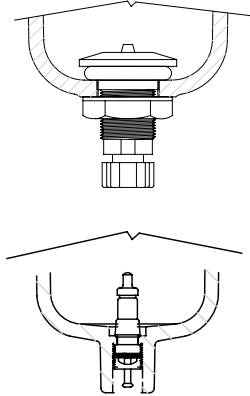
Pipe Size: 1/8"-1-1/2" 3" 1/8"-1-1/2"-3" NPT

Mounting Holes: Mounting holes are options that can be incorporated into any of the filters.

Bowl Options: Polycarbonate bowls, aluminum bowls, sight levels, and bowl guards available depending on the product family.

| | | | |
|------------------------------|----------|-----------------------------------|-----------|
| 3000 Miniature Series | 3 | 5000 Series | 7 |
| 2000 Compact Series | 4 | 4000 Series | 8 |
| 1000 Standard Series | 5 | 7202/8202 High Flow Series | 9 |
| | | 9202 Mainline Series | 10 |

Drain Options

| IMPULSE | FLOAT | MANUAL |
|--|--|---|
|  <p>The diaphragm in this drain pulses when there is a pressure differential such as a valve cycling or cylinder stroking downstream. This action flexes the diaphragm and allows the filter to drain the entrapped water.</p> |  <p>The float internal to this drain rises with increased liquid level. When the float rises, it opens a seat area allowing the trapped liquids to drain through the bottom.</p> |  <p>Manual drain valve operation varies with the product family, from Schrader valves in the miniature 3000 series to petcocks in the larger sizes.</p> |

Caution

Bowl guards are recommended on all polycarbonate bowl filters! All bowl guards are made of heavy-duty stainless steel.

Warning

Polycarbonate bowls can be damaged and may fail if they are exposed to or come in contact with solvents, strong alkalies, fire resistant and/or synthetic compressor lubricants.

WARRANTY: Monnier warrants each product against defects in material and workmanship for a period of one year from the date of manufacture providing its use was in accordance with Monnier recommendations. If the product fails to perform as warranted, Monnier will, at its option, repair or replace the product free of charge. The company will not be liable for incidental or consequential damages. We make no other warranty, expressed or implied, including warranties of merchantability or fitness for a particular purpose.



Features

- Dense pack element design ensures long element life with minimal pressure drop
- Threaded bowl for ease of maintenance
- 20 micron element standard (10 and 5 micron elements available)
- Manual drain standard; impulse drain available

Operating Specifications

- Bowl Capacity:** 1 oz.
- Maximum Pressure Ratings:**
- Aluminum Bowl: 250 PSIG
 - Polycarbonate Bowl: 150 PSIG
- Temperature Ratings:**
- Aluminum Bowl: 0-200°F
 - Polycarbonate Bowl: 0-120°F

Accessories & Kits

- Bowl Kit w/ Manual Drain**
 Polycarbonate: 23520 Aluminum: 23533
- Bowl Kit w/ Impulse Drain**
 Polycarbonate: 23521 Aluminum: 23534
- Elements:**
- 20 Micron: 23004
 - 10 Micron: 23025
 - 5 Micron: 23040



Manual Drain

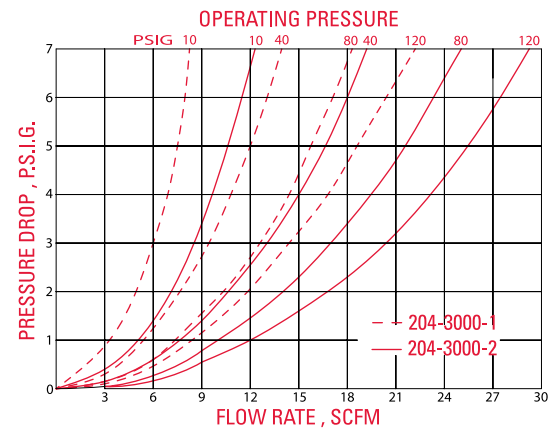


Automatic Drain

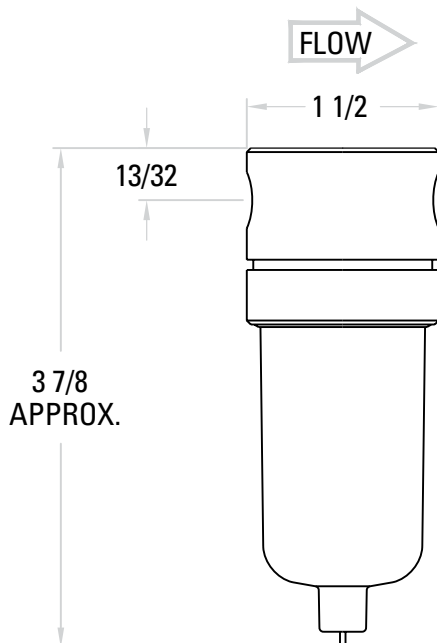
Materials of Construction

- Head:** Machined Aluminum
- Bowl:** Polycarbonate or Machined Aluminum
- Whirl Disc:** Acetal
- Element Retainer:** Celanese
- Elements:**
- Phenolic Impregnated Cellulose (20 & 10 Micron)
 - Polypropylene (5 Micron)
- Seals:** Buna-N (fluorocarbon available)
- Drain:** Manual (Brass and Stainless Steel)

Flow Characteristics



Dimensions



Ordering Information

204-3000-2

| Bowl Type | |
|-----------------------------|---|
| Polycarbonate | 0 |
| Polycarbonate w/ Bowl Guard | 1 |
| Metal | 2 |
| Elements | |
| 20 Micron | 0 |
| 10 Micron | 1 |
| 5 Micron | 2 |

| Pipe Size | |
|-----------|---|
| 1/8" | 1 |
| 1/4" | 2 |

OPTIONS

| Anodizing | |
|--|-------|
| No Anodizing | Blank |
| Blue | A1 |
| Black | A2 |
| Clear | A3 |
| Green | A4 |
| Red | A5 |
| Yellow | A6 |
| Gold | A7 |
| Purple | A8 |
| Drain | |
| Manual (Standard) | Blank |
| Impulse (External) | D |
| Seals | |
| Buna-N (Standard) | Blank |
| Fluorocarbon | V |
| Mounting Hole | |
| Two 1/4-20 mounting holes on top surface | MH |



Features

- Whirl disc creates centrifugal action for maximum water and particulate removal
- Dense pack element design ensures long life with minimal pressure drop
- Tie-rod construction for maximum stability
- 20 micron element standard (10 and 3 micron elements available)
- Manual drain standard; float drain or impulse drains available

Operating Specifications

- Bowl Capacity:** 5 oz.
Maximum Pressure Ratings:
 - Aluminum Bowl: 250 PSIG
 - Polycarbonate Bowl: 150 PSIG
Temperature Ratings:
 - Aluminum Bowl: 0-200°F
 - Polycarbonate Bowl: 0-120°F

Replacement Parts

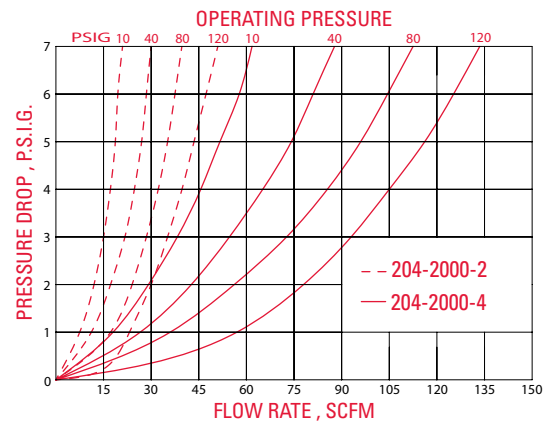
- Polycarbonate Bowl Kit:** 22520
Aluminum Bowl Kit: 22537
Aluminum Bowl Kit w/ Sight Level: 22521-P / 22521-T
Elements:
 - 20 Micron: 22205
 - 10 Micron: 22033
 - 3 Micron: 22032



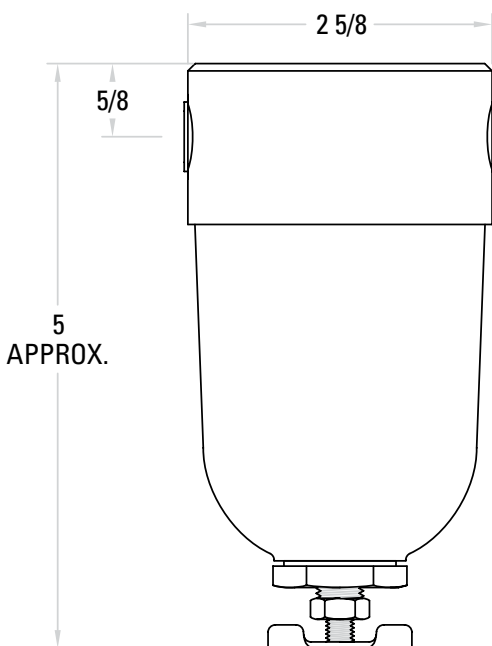
Materials of Construction

- Head:** Machined Aluminum
Bowl: Polycarbonate or Machined Aluminum
Whirl Disc: Acetal
Stud: Unanodized Assembly: Plated Steel
 Anodized Assembly: Brass
Base Nut Assembly: Machined Aluminum
Baffle Plate: Acetal
Element: Phenolic Impregnated Cellulose
Seals: Buna-N (fluorocarbon available)
Drain:
 - Manual: Brass and Plated Steel
 - Float: Anodized Aluminum w/ Acetal and Stainless Steel Float mechanism
 - Impulse: Machined Aluminum, Brass, and Buna-N (fluorocarbon available)
Bowl Guard: Stainless Steel
Sight Level: Trogamid

Flow Characteristics



Dimensions



Ordering Information

204-2000-2

| Bowl Type | |
|-----------------------------|---|
| Polycarbonate | 0 |
| Polycarbonate w/ Bowl Guard | 1 |
| Metal | 2 |
| Metal w/ Sight Level | 3 |

| Elements | |
|-----------|---|
| 20 Micron | 0 |
| 10 Micron | 1 |
| 3 Micron | 2 |

| Pipe Size | |
|-----------|---|
| 1/4" | 2 |
| 3/8" | 3 |
| 1/2" | 4 |

OPTIONS

| Anodizing | |
|--------------|-------|
| No Anodizing | Blank |
| Blue | A1 |
| Black | A2 |
| Clear | A3 |
| Green | A4 |
| Red | A5 |
| Yellow | A6 |
| Gold | A7 |
| Purple | A8 |

| Drain | |
|-------------------|-------|
| Manual (Standard) | Blank |
| Impulse | D |
| Float | F |

| Seals | |
|--------------|-------|
| Buna-N | Blank |
| Fluorocarbon | V |

| Mounting Hole | |
|--|----|
| Two 1/4-20 mounting holes on top surface | MH |
| 1/4 NPT mounting hole on side | MS |



Features

- Whirl disc creates centrifugal action for maximum water and particulate removal
- High flow with greater bowl capacity (8 oz.)
- Dense pack element design ensures long life with minimal pressure drop
- Threaded components for ease of maintenance
- 20 micron element standard (10 and 3 micron elements available)
- Manual twist drain standard; internal float or external impulse drains available

Operating Specifications

- Bowl Capacity:** 8 oz.
Maximum Pressure Ratings:
 - Aluminum Bowl: 250 PSIG
 - Polycarbonate Bowl: 150 PSIG
Temperature Ratings:
 - Aluminum Bowl: 0-200°F
 - Polycarbonate Bowl: 0-120°F

Replacement Parts

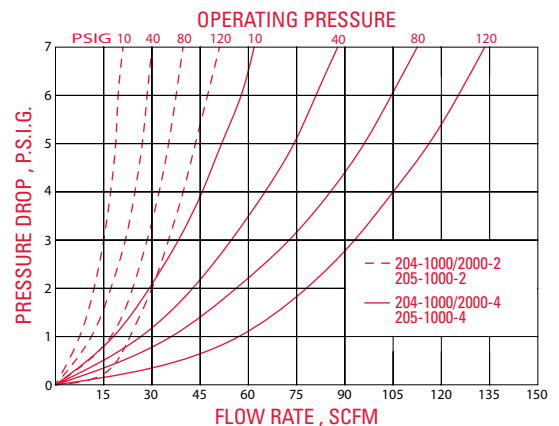
- Polycarbonate Bowl Kit:** 21567
Polycarbonate Bowl Kit w/ Float Drain: 21572
Metal Bowl Kit w/ Float Drain: 21583
Metal Bowl Kit: 21580
Metal Bowl Kit (Trogamid): 21581-T
Twist Drain Kit: 21713
Elements:
 - 20 Micron: 21205 - 3 Micron: 21037
 - 10 Micron: 21036



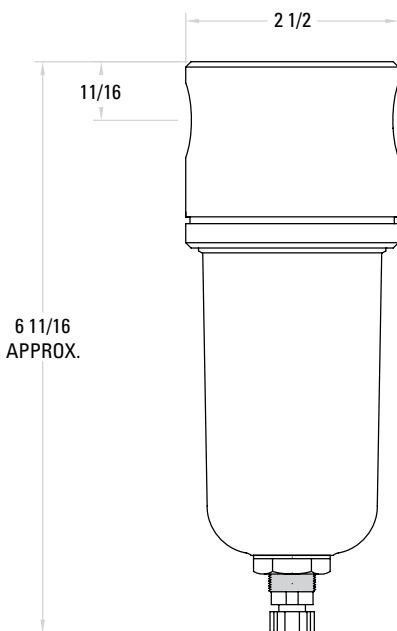
Materials of Construction

- Head:** Machined Aluminum
Bowl: Polycarbonate or Machined Aluminum
Whirl Disc: Aluminum
Stud: Brass
Element Retainer: Machined Aluminum
Element: Phenolic Impregnated Cellulose
Seals: Buna-N (fluorocarbon available)
Drain:
 - Manual: Plastic
 - Float: Acetal and Stainless Steel
 - Impulse: Machined Aluminum, Brass, and Buna-N (fluorocarbon available)
Bowl Guard: Stainless Steel
Sight Level: Trogamid

Flow Characteristics



Dimensions



Ordering Information

205-1000-2

| Bowl Type | | Elements | | Pipe Size | | OPTIONS | |
|-----------------------------|---|-----------|---|-----------|---|--|-------|
| Polycarbonate | 0 | 20 Micron | 0 | 1/4" | 2 | Anodizing | |
| Polycarbonate w/ Bowl Guard | 1 | 10 Micron | 1 | 3/8" | 3 | No Anodizing | Blank |
| Metal | 2 | 3 Micron | 2 | 1/2" | 4 | Blue | A1 |
| Metal w/ Sight Level | 3 | | | | | Black | A2 |
| | | | | | | Clear | A3 |
| | | | | | | Green | A4 |
| | | | | | | Red | A5 |
| | | | | | | Yellow | A6 |
| | | | | | | Gold | A7 |
| | | | | | | Purple | A8 |
| | | | | | | Drain | |
| | | | | | | Manual (Standard) | Blank |
| | | | | | | Impulse (External) | D |
| | | | | | | Float (Internal) | F |
| | | | | | | Seals | |
| | | | | | | Buna-N (Standard) | Blank |
| | | | | | | Fluorocarbon | V |
| | | | | | | Mounting Hole | |
| | | | | | | Two 1/4-20 mounting holes on top surface | MH |
| | | | | | | 1/4 NPT mounting hole on side | MS |



Features

- Whirl disc creates centrifugal action for maximum water and particulate removal
- High flow with greater bowl capacity (8 oz.)
- Dense pack element design ensures long life with minimal pressure drop
- Tie-rod construction for maximum stability
- 20 micron element standard (10 and 3 micron elements available)
- Manual twist drain standard; float or impulse available

Operating Specifications

Bowl Capacity: 8 oz.

Maximum Pressure Ratings:

- Aluminum Bowl: 250 PSIG
- Polycarbonate Bowl: 150 PSIG

Temperature Ratings:

- Aluminum Bowl: 0-200°F
- Polycarbonate Bowl: 0-120°F

Replacement Parts

Polycarbonate Bowl Kit: 21557

Aluminum Bowl Kit: 21558

Aluminum Bowl Kit w/ Sight Level: 21559-T

Elements:

- 20 Micron: 21205
- 10 Micron: 21036
- 3 Micron: 21037



Manual Drain



Automatic Drain

Materials of Construction

Head: Machined Aluminum

Bowl: Polycarbonate or Machined Aluminum

Whirl Disc: Acetal

Stud: Unanodized assembly: Plated Steel
Anodized assembly: Brass

Base Nut Assembly: Machined Aluminum

Baffle Plate: Acetal

Element: Phenolic Impregnated Cellulose

Seals: Buna-N (fluorocarbon available)

Drain: - Manual: Plastic

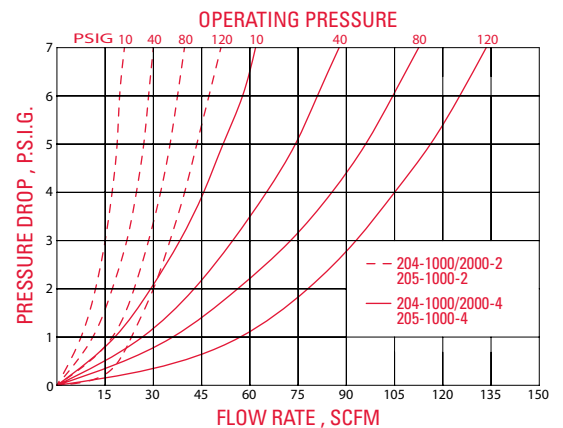
- Float: Acetal and Stainless Steel

- Impulse: Machined Aluminum, Brass, and Buna-N (fluorocarbon available)

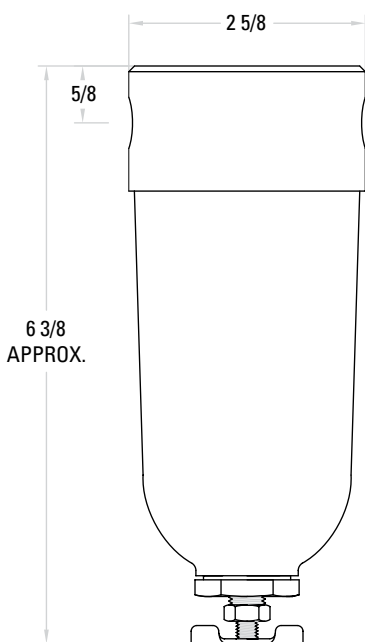
Bowl Guard: Stainless Steel

Sight Level: Trogamid

Flow Characteristics



Dimensions



Ordering Information

204-1000-2

| Bowl Type | |
|-----------------------------|---|
| Polycarbonate | 0 |
| Polycarbonate w/ Bowl Guard | 1 |
| Metal | 2 |
| Metal w/ Sight Level | 3 |

| Elements | |
|-----------|---|
| 20 Micron | 0 |
| 10 Micron | 1 |
| 3 Micron | 2 |

| Pipe Size | |
|-----------|---|
| 1/4" | 2 |
| 3/8" | 3 |
| 1/2" | 4 |

OPTIONS

| Anodizing | |
|--|-------|
| No Anodizing | Blank |
| Blue | A1 |
| Black | A2 |
| Clear | A3 |
| Green | A4 |
| Red | A5 |
| Yellow | A6 |
| Gold | A7 |
| Purple | A8 |
| Drain | |
| Manual (Standard) | Blank |
| Impulse (External) | D |
| Float (External) | F |
| Seals | |
| Buna-N (Standard) | Blank |
| Fluorocarbon | V |
| Mounting Hole | |
| Two 1/4-20 mounting holes on top surface | MH |
| 1/4 NPT mounting hole on side | MS |



Features

- Excellent water removal characteristics
- Heavy duty machined aluminum for rugged applications
- Dense pack element design ensures long life with maximum particulate removal
- Now available with internal float drain or external impulse drain
- High flow with large bowl capacity (21 oz.)
- 20 micron elements standard
- 20 micron elements standard (100, 10 and 3 available)

Operating Specifications

- Bowl Capacity:** 21 oz.
- Maximum Pressure Ratings:**
- Aluminum Bowl: 250 PSIG
 - Polycarbonate Bowl: 150 PSIG
- Temperature Ratings:**
- Aluminum Bowl: 0-200°F
 - Polycarbonate Bowl: 0-120°F

Replacement Parts

- Polycarbonate Bowl Kit:** 25557
- Aluminum Bowl Kit:** 25558
- Metal Bowl w/ Sight Level Kit (Trogamid):** 25559-T
- Elements:**
- 100 Micron: 25086
 - 20 Micron: 25039
 - 10 Micron: 25029
 - 3 Micron: 25028



Manual Drain

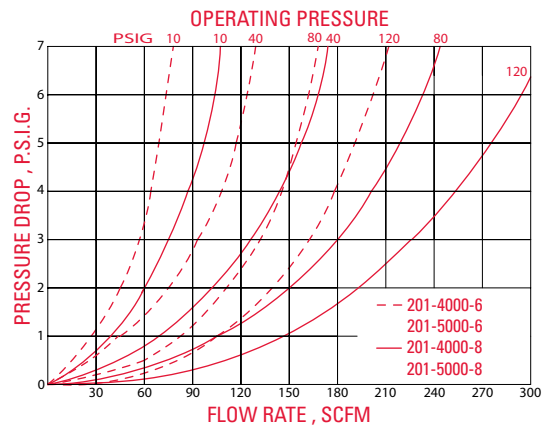


Automatic Drain

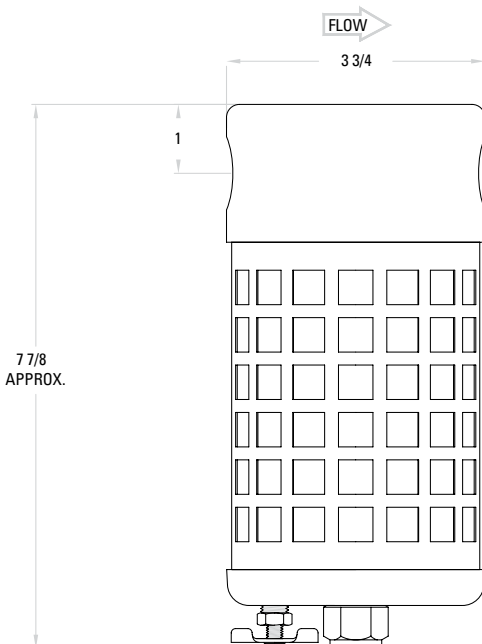
Materials of Construction

- Head:** Machined Aluminum
- Bowl:** Polycarbonate or Machined Aluminum
- Base (polycarbonate bowl only):** Aluminum
- Whirl Disc:** Acetal
- Stud:** Plated Steel
- Adaptor, Spacer, Base Nut & Baffle Plate:** Aluminum
- Element:** Phenolic Impregnated Cellulose
- Seals:** Buna-N (fluorocarbon available)
- Drain:** - Manual: Brass and Plated Steel
- Float: Acetal and Stainless Steel
- Impulse: Machined Aluminum, Brass, and Buna-N (fluorocarbon available)
- Bowl Guard:** Stainless Steel
- Sight Level:** Trogamid

Flow Characteristics



Dimensions



Ordering Information

201-5000-6

| Bowl Type | |
|-----------------------------|---|
| Polycarbonate | 0 |
| Polycarbonate w/ Bowl Guard | 1 |
| Metal | 2 |
| Metal w/ Sight Level | 3 |

| Elements | |
|------------|---|
| 20 Micron | 0 |
| 10 Micron | 1 |
| 3 Micron | 2 |
| 100 Micron | 3 |

| Pipe Size | |
|-----------|---|
| 1/2" | 4 |
| 3/4" | 6 |
| 1" | 8 |

OPTIONS

Anodizing

| | |
|--------------|-------|
| No Anodizing | Blank |
| Blue | A1 |
| Black | A2 |
| Clear | A3 |
| Green | A4 |
| Red | A5 |
| Yellow | A6 |
| Gold | A7 |
| Purple | A8 |

Drain

| | |
|--------------------|-------|
| Manual (Standard) | Blank |
| Float (Internal) | F |
| Impulse (External) | D |

Mounting Hole

| | |
|--|----|
| Two 1/4-20 mounting holes on top surface | MH |
| 1/4 NPT mounting hole on side | MS |



Features

- Excellent water removal characteristics
- High flow with large bowl capacity (32 oz)
- Heavy duty machined aluminum for rugged applications
- Dense pack element design ensures long life with minimal pressure drop
- Now available with internal float drain or external impulse drain
- 20 micron elements standard (100 and 3 micron elements available)

Operating Specifications

- Bowl Capacity:** 32 oz.
Maximum Pressure Ratings:
 - Aluminum Bowl: 250 PSIG
 - Polycarbonate Bowl: 150 PSIG
Temperature Ratings:
 - Aluminum Bowl: 0-200°F
 - Polycarbonate Bowl: 0-120°F

Replacement Parts

- Polycarbonate Bowl Kit:** 24557
Aluminum Bowl Kit: 24558
Metal Bowl w/ Sight Level Kit (Trogamid): 24559-T
Elements:
 - 100 Micron: 24087
 - 20 Micron: 24015
 - 10 Micron: 24017
 - 3 Micron: 24013



Manual Drain

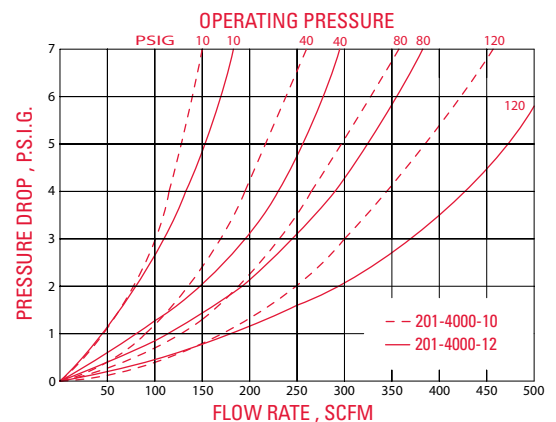


Automatic Drain

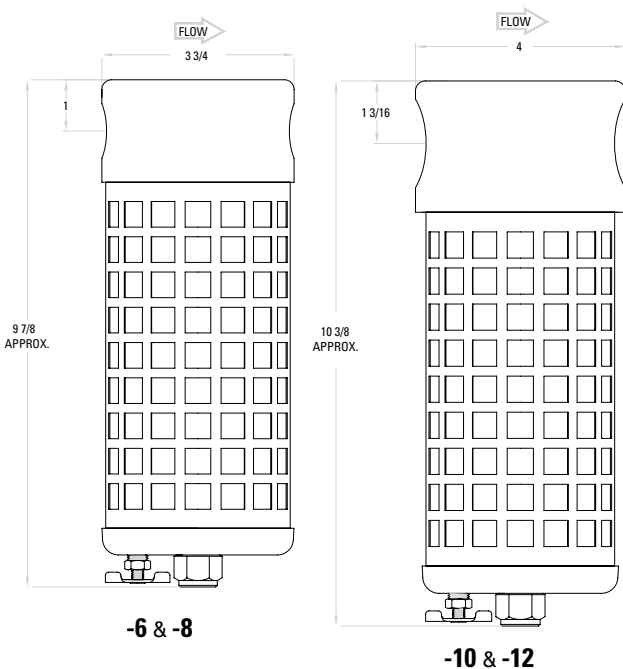
Materials of Construction

- Head:** Machined Aluminum
Bowl: Polycarbonate or Machined Aluminum
Base (polycarbonate bowl only): Aluminum
Whirl Disc: Acetal
Stud: Plated Steel
Adaptor, Spacer, Base Nut & Baffle Plate: Aluminum
Element: Phenolic Impregnated Cellulose
Seals: Buna-N (fluorocarbon available)
Drain: - Manual: Brass and Plated Steel
 - Float: Acetal and Stainless Steel
 - Impulse: Machined Aluminum, Brass, and Buna-N (fluorocarbon available)
Bowl Guard: Stainless Steel
Sight Level: Trogamid

Flow Characteristics



Dimensions



Ordering Information

201-4000-8

| Bowl Type | |
|-----------------------------|---|
| Polycarbonate | 0 |
| Polycarbonate w/ Bowl Guard | 1 |
| Metal | 2 |
| Metal w/ Sight Level | 3 |

| Elements | |
|------------|---|
| 20 Micron | 0 |
| 10 Micron | 1 |
| 3 Micron | 2 |
| 100 Micron | 3 |

| Pipe Size | |
|-----------|----|
| 3/4" | 6 |
| 1" | 8 |
| 1 1/4" | 10 |
| 1 1/2" | 12 |

OPTIONS

| Anodizing | |
|--|-------|
| No Anodizing | Blank |
| Blue | A1 |
| Black | A2 |
| Clear | A3 |
| Green | A4 |
| Red | A5 |
| Yellow | A6 |
| Gold | A7 |
| Purple | A8 |
| Drain | |
| Manual (Standard) | Blank |
| Impulse (External) | D |
| Float (Internal) | F |
| Mounting Hole | |
| Two 1/4-20 mounting holes on top surface | MH |
| 1/4 NPT mounting hole on side | MS |



Features

- 3.0 micron element
- High flow with minimal pressure drop
- 1.0 PSI ΔP at rated flow
- Manual drain standard; float drain available

Operating Specifications

Port Sizes: 1-1/4", 1-1/2", 2"
Thread Styles: NPT, BSPT, BSPP
Flow Capacity: 400 & 700 SCFM @ 100 PSI
Bowl Types: Aluminum
Maximum Temperature: 175°F
Maximum Pressure: 200 PSIG
Filter Capacity: 3.0 Micron
Differential Pressure: < 1.0 PSI ΔP at Rated Flow

Materials of Construction

Housing: Aluminum
Stud: Stainless Steel
Pressure Drop Indicator: Nylon
Seals: Buna-N (fluorocarbon available)
Element: Aluminum and Stainless Steel
Assembly Screws: Black Oxide Plated Steel
Drain (20-404): Anodized Aluminum, Acetal, and Stainless Steel



Manual Drain



Automatic Drain

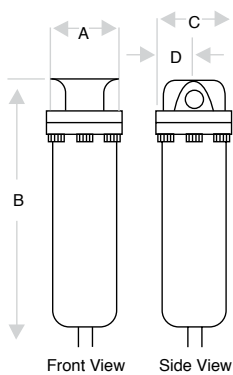
Replacement Parts

Bowl O-Ring (400/700): 27001
Float Drain: 20-404
Differential Indicator (400/700): 27002
Manual Drain: 27003

Replacement Elements

7202 (3 Micron): 27000
8202 (3 Micron): 28000

Dimensions



Metal Bowl, Manual Drain
A: 7.8 B: 27.5 C: 7.8 D: 3.9

Metal Bowl, Float Drain
A: 7.8 B: 32.0 C: 7.8 D: 3.9

Metal Bowl, Float Drain w/ Indicator
A: 7.8 B: 33.0 C: 7.8 D: 3.9

Ordering Information

201-7202-10F

OPTIONS

Drain

| | |
|-------------------|-------|
| Manual (Standard) | Blank |
| Float (External) | F |

Flow

| | |
|----------|---|
| 400 scfm | 7 |
| 700 scfm | 8 |

Pressure Drop Indicator

| | |
|-------------------------|---|
| No PDI | 0 |
| Pressure Drop Indicator | 8 |

Pipe Size

| | |
|--------|----|
| 1 1/4" | 10 |
| 1 1/2" | 12 |
| 2" | 16 |



Features

- 3.0 micron element
- High flow with minimal pressure drop
- 1.0 PSI Δ P at 1200 scfm
- Manual drain standard; float drain available

Operating Specifications

Port Sizes: 3"
Thread Styles: NPT, BSPT, BSPP
Flow Capacity: 1200 SCFM @ 100 PSI
Bowl Types: Aluminum
Maximum Temperature: 175°F
Maximum Pressure: 200 PSIG
Filter Capacity: 3.0 Micron
Differential Pressure: < 1.0 PSI Δ P at Rated Flow

Materials of Construction

Housing: Aluminum
Stud: Stainless Steel
Pressure Drop Indicator: Nylon
Seals: Buna-N (fluorocarbon available)
Element: Aluminum and Stainless Steel
Assembly Screws: Black Oxide Plated Steel
Drain (20-404): Anodized Aluminum, Acetal, and Stainless Steel



Manual Drain

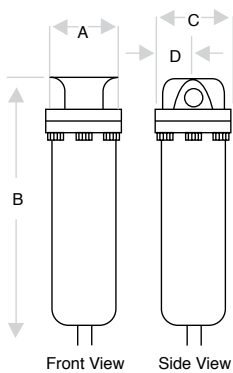


Automatic Drain

Replacement Parts

Bowl O-Ring (1200): 24001
Float Drain: 20-404
Replacement Element: 29001
Manual Drain: 29002

Dimensions



Metal Bowl, Manual Drain
A: 8.0 B: 39.5 C: 8.0 D: 4.0

Metal Bowl, Float Drain
A: 8.0 B: 45.0 C: 8.0 D: 4.0

Ordering Information

201-9202-24F

