



Features

- Automatic air control valve allows lubricator to be filled while in operation
- Threaded bowl for ease of maintenance
- Quick fill option via a "Q" fitting in the lubricator head
- Stainless steel ball supplied with every lubricator to make any slotted screw adjusting lubricator tamperproof
- Polycarbonate or metal bowl available
- Bowl guard available with polycarbonate bowl
- Sight level available with metal bowl

Operating Specifications

Bowl Capacity: 8 oz.

Maximum Pressure Ratings:

- Metal Bowl: 250 PSI
- Polycarbonate Bowl: 150 PSI

Temperature Ratings:

- Metal Bowl: 0-200°F
- Polycarbonate Bowl: 0-120°F

Accessories & Kits

Bowl Kits:

Polycarbonate: 31517

Metal: 31047

Metal w/Sight Levels:

31317 (Polycarbonate) or 31317 (Trogamid)

Sight Dome Kit:

31535 (Polycarbonate) 31537 (Trogamid)

Materials of Construction

Lubricator Head: Machined Aluminum

Bowl: Polycarbonate or Machined Aluminum

Capacity Valve: Acetal

Spring: Stainless Steel

Oil Adaptor: Brass

Ferrule: Machined Aluminum

Tamperproof Ball: Stainless Steel

Sight Levels and Sight Dome: Trogamid

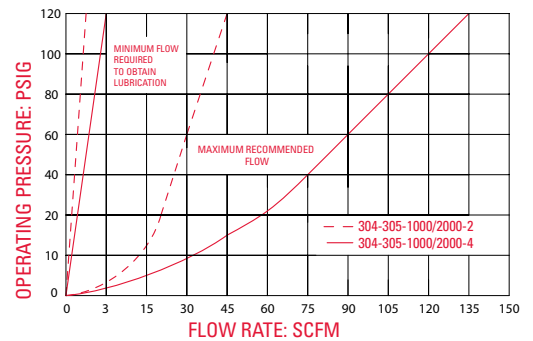
Oil Pick-Up Tube: Polyethylene

Bowl Guard: Stainless Steel

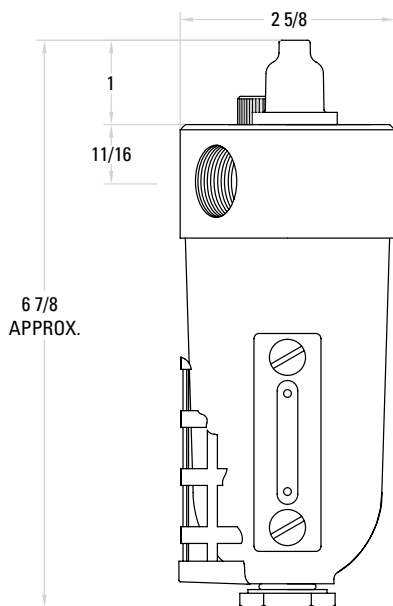
Oil Fill Plug: Machined Aluminum

Seals: Buna-N (fluorocarbon available)

Flow Characteristics



Dimensions



Ordering Information

305-1000-4

Bowl Type	
Polycarbonate	0
Polycarbonate w/ Bowl Guard	1
Metal	2
Metal w/Sight Level	3

Adjustment	
Slotted Screw	0
Knurled Knob	2

Pipe Size	
1/4"	2
3/8"	3
1/2"	4

OPTIONS

Anodizing		
No Anodizing (Standard)		Blank
Blue		A1
Black		A2
Clear		A3
Green		A4
Red		A5
Yellow		A6
Gold		A7
Purple		A8
Drain		
No Drain (Standard)		Blank
Twist		MD
Seals		
Buna-N (Standard)		Blank
Fluorocarbon		V
Mounting Hole		
Two 1/4-20 mounting holes on top surface		MH
1/4 NPT mounting hole on side		MS
Sight Level and Dome		
Trogamid		T
Fill/Drain Options		
Q Fitting on Head		QT
Q Fitting on Base of Bowl		QB