

Coalescing filters remove water and fine particulate from compressed air. Contrary to particulate filters, air flows from the inside to the outside of the coalescing element. Along the way, very fine passageways capture liquid droplets and particulate. Gravity pulls the liquid to the bottom of the element where it drips into the sump area for drainage. The particulate matter is embedded into the element material. The Monnier line of coalescing filters are available with two element options — the 0.3 micron elements that are 99.97% efficient in capturing all dirt and water from the air; and the 0.01 micron elements that are 99.995% efficient.

For the cleanest air possible and least maintenance cost, we recommend a 3 micron element filter be installed directly upstream of all coalescing filters.

## Standard Components

### Maximum Pressure Ratings:

- Polycarbonate Bowl: 150 PSI
- Metal Bowls: 250 PSI

### Temperature Ratings:

- Polycarbonate Bowl: 0-120°F
- Metal Bowl: 0-200°F

**Elements:** 0.3 and 0.01 Micron elements are available depending on the product family

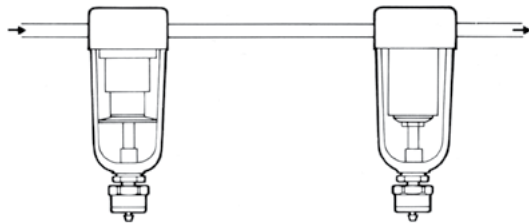
## Optional Components

**Drains:** Manual drains are standard in all coalescing filters. Impulse Drains (“D”) or Float Drains (“F”) are available, depending on product family.

**Anodizing:** All aluminum heads and bases have standard green anodizing. Metal bowls can be anodized at an additional cost. Drains are clear anodized as standard, but can be ordered in any of our other colors.

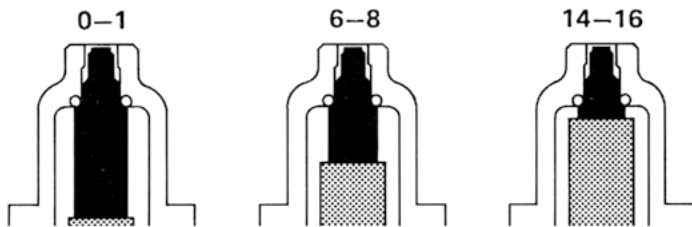
**Bowl Options:** Polycarbonate bowls, aluminum bowls, sight levels, and bowl guards are available depending on the product family.

<b>3009 Miniature Series</b>	<b>3</b>	<b>4009 Heavy Duty Series</b>	<b>7</b>
<b>2009 Compact Series</b>	<b>4</b>	<b>6209 Heavy Duty Series</b>	<b>8</b>
<b>1009 Standard Series</b>	<b>5</b>	<b>7208/8208 Series</b>	<b>9</b>
		<b>9208 Series</b>	<b>10</b>



Standard  
3-Micron Filter  
(such as Model #204-1002-2D)

Oil-Coalescing  
0.3-Micron Filter  
(such as Model #204-1009-2D)



Monnier recommends the use of a 3 micron particulate filter upstream of all coalescing filters.

A pressure drop indicator is optional with each coalescing filter. The pressure drop indicator is highly visible and designed so that the relative amount of pressure drop is easily determined from the height of the yellow column.

## Caution

Bowl guards are recommended on all polycarbonate bowl filters! All bowl guards are made of heavy-duty stainless steel.

## Warning

Polycarbonate bowls can be damaged and may fail if they are exposed to or come in contact with solvents, strong alkalis, fire resistant and/or synthetic compressor lubricants.

**WARRANTY:** Monnier warrants each product against defects in material and workmanship for a period of one year from the date of manufacture providing its use was in accordance with Monnier recommendations. If the product fails to perform as warranted, Monnier will, at its option, repair or replace the product free of charge. The company will not be liable for incidental or consequential damages. We make no other warranty, expressed or implied, including warranties of merchantability or fitness for a particular purpose.



## Features

- Removes liquid and sub-micron solids
- 0.3 micron element removes 99.97% of all moisture and dirt from the air
- 0.01 micron element removes 99.995% of all moisture and dirt from the air
- Manual drain standard; impulse drain available
- Threaded components for ease of maintenance
- Green standard anodized housing (other colors available)

## Operating Specifications

**Bowl Capacity:** 1 oz.

**Maximum Pressure Ratings:**

- Aluminum Bowl: 250 PSIG
- Polycarbonate Bowl: 150 PSIG

**Temperature Ratings:**

- Aluminum Bowl: 0-200°F
- Polycarbonate Bowl: 0-120°F

## Accessories & Kits

**Polycarbonate Bowl Kit w/ Standard Drain:** 23520

**Aluminum Bowl Kit w/ Manual Drain:** 23533

**Polycarbonate Bowl Kit w/ Impulse Drain:** 23521

**Aluminum Bowl Kit w/ Impulse Drain:** 23534

**Elements:**

**0.3 Micron:** 23543

**0.01 Micron:** 23592

## Materials of Construction

**Head:** Anodized Machined Aluminum

**Bowl:** Polycarbonate or Machined Aluminum

**Element Shield:** Polycarbonate

**Element Retainer:** Celonese

(Polypropylene available)

**Element:** Borosilicate Glass Fiber

**Seals:** Buna-N (fluorocarbon available)

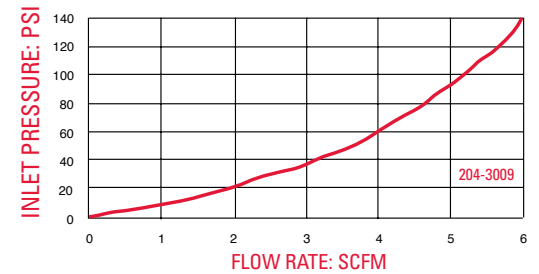
**Drain:**

- Manual: Nickel Plated Brass

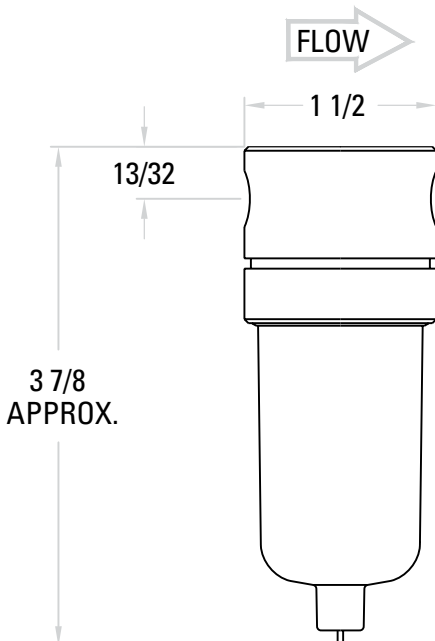
- Impulse: Machined Aluminum and Brass

**Bowl Guard:** Stainless Steel

## Flow Characteristics



## Dimensions



## Ordering Information

# 204-3009-2

Bowl Type	
Polycarbonate	0
Polycarbonate w/ Bowl Guard	1
Metal	2

Elements	
0.3 Micron	9
0.01 Micron	8

Pipe Size	
1/8"	1
1/4"	2

### OPTIONS

Anodizing	
Green (Standard)	Blank
Blue	A1
Black	A2
Clear	A3
Red	A5
Yellow	A6
Gold	A7
Purple	A8
Drain	
Manual (Standard)	Blank
Impulse	D
Seals	
Buna-N (Standard)	Blank
Fluorocarbon (Viton)	V
Mounting Hole	
Two 1/4-20 mounting holes on top surface	MH
1/4 NPT mounting hole on side	MS



## Features

- Removes liquid and sub-micron solids
- 0.3 micron element removes 99.97% of all moisture and dirt from air
- 0.01 micron element removes 99.995% of all moisture and dirt from the air
- Manual drain standard; float or impulse drain available
- Pressure drop indicator available to show when element needs to be changed
- Tie-Rod construction for maximum stability
- Green anodized housing (standard)

## Operating Specifications

**Bowl Capacity:** 5 oz.

**Maximum Pressure Ratings:**

- Aluminum Bowl: 250 PSIG
- Polycarbonate Bowl: 150 PSIG

**Temperature Ratings:**

- Aluminum Bowl: 0-200°F
- Polycarbonate Bowl: 0-120°F

## Accessories & Kits

**Polycarbonate Bowl Kit:** 22520

**Aluminum Bowl Kit:** 22537

**Aluminum Bowl Kit w/ Sight Level (Trogamid):** 22521-T

**Elements:** 0.3 Micron: 21545 0.01 Micron: 21751

**Pressure Drop Indicator Assembly:** 21542-T

**Filter Seal Kit:** 21543

## Materials of Construction

**Head:** Anodized Machined Aluminum

**Bowl:** Polycarbonate or Machined Aluminum

**Element Retainer:** Machined Aluminum

**Element:** Borosilicate Glass Fiber with Urethane Endcaps

**Seals:** Buna-N (fluorocarbon available)

**Drain:**

- Manual: Brass and Plated Steel
- Float: Anodized Aluminum housing w/ Acetal and Stainless Steel Float Mechanism
- Impulse: Machined Aluminum, Brass, Buna-N (fluorocarbon available)

**Bowl Guard:** Stainless Steel

**Sight Level:** Trogamid

**Pressure Drop Indicator:** Polyethylene, Phosphate Coated Steel Retaining Ring, Polycarbonate Dome (Trogamid Available)

**Stud:** Brass

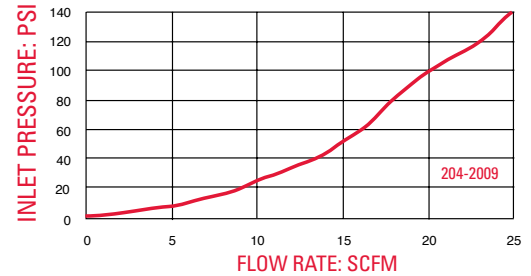


Manual Drain

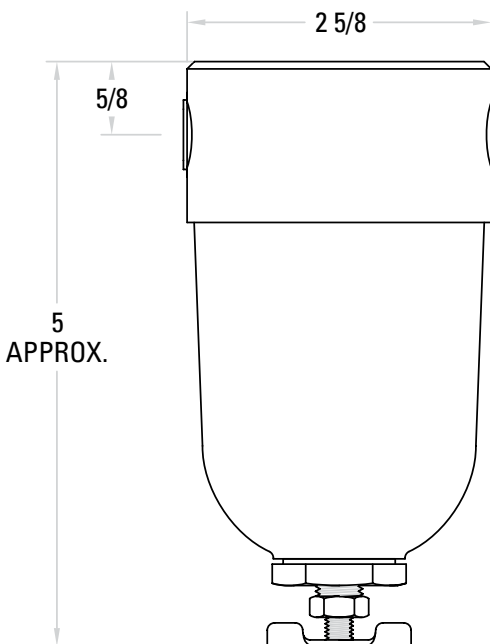


Automatic Drain

## Flow Characteristics



## Dimensions



## Ordering Information

# 204-2009-2

Bowl Type	
Polycarbonate	0
Polycarbonate w/ Bowl Guard	1
Metal	2
Metal w/ Sight Level	3

Pipe Size	
1/4"	2
3/8"	3
1/2"	4

### OPTIONS

Anodizing	
Green (Standard)	Blank
Blue	A1
Black	A2
Clear	A3
Red	A5
Yellow	A6
Gold	A7
Purple	A8
Drain	
Manual (Standard)	Blank
Impulse (External)	D
Float (Internal)	F
Seals	
Buna-N (Standard)	Blank
Fluorocarbon (Viton)	V
Mounting Hole	
Two 1/4-20 mounting holes on top surface	MH
1/4 NPT mounting hole on side	MS



## Features

- Removes liquid and sub-micron solids
- 0.3 micron element removes 99.97% of all moisture and dirt from the air
- 0.01 micron element removes 99.995% of all moisture and dirt from the air
- Manual drain standard; float or impulse drain available
- Pressure drop indicators available to show when element needs to be changed
- Threaded bowl for ease of maintenance
- Standard green anodized filter housing (other colors available)

## Operating Specifications

**Bowl Capacity:** 8 oz.

**Maximum Pressure Ratings:**

- Aluminum Bowl: 250 PSIG
- Polycarbonate Bowl: 150 PSIG

**Temperature Ratings:**

- Aluminum Bowl: 0-200°F
- Polycarbonate Bowl: 0-120°F

## Materials of Construction

**Head:** Anodized Machined Aluminum

**Bowl:** Polycarbonate or Anodized Machined Aluminum

**Stud:** Brass

**Element:** Borosilicate Glass Fiber

**Element Retainer:** Anodized Aluminum

**Seals:** Buna-N (fluorocarbon available)

**Drain:**

- Manual: Plastic
- Float: Acetal and Stainless Steel
- Impulse: Machined Aluminum, Brass, Buna-N (fluorocarbon available)

**Bowl Guard:** Stainless Steel

**Sight Level:** Trogamid

**Pressure Drop Indicator:** Polyethylene, Phosphate Coated Steel Retaining Ring, Polycarbonate Dome (trogamid available)



Manual Drain



Automatic Drain

## Accessories & Kits

**Polycarbonate Bowl Kit:** 21504

**Polycarbonate Bowl Kit w/ Float Drain:** 21572

**Metal Bowl Kit:** 21580

**Metal Bowl Kit w/ Float Drain:** 21583

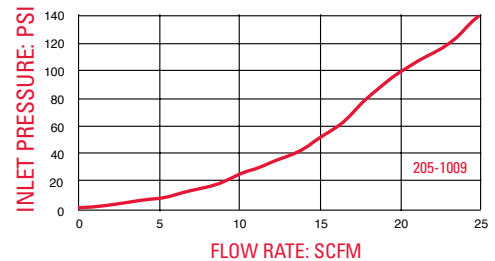
**Metal Bowl Kit (Trogamid):** 21581-T (Manual Drain)

**Metal Bowl Kit w/Sight Level Float Drain:** 21583-T

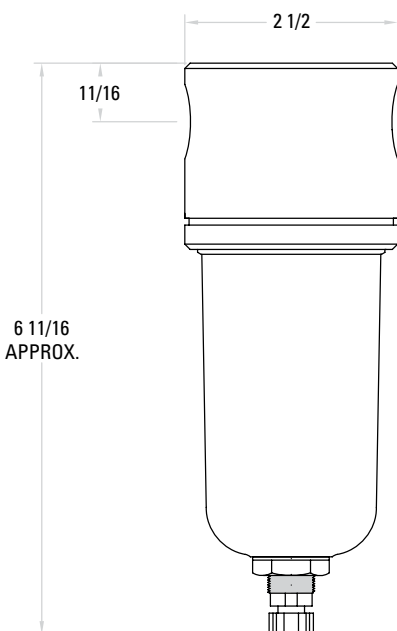
**Pressure Drop Indicator Assembly:** 21542

**Elements: 0.3 Micron:** 21720 **0.01 Micron:** 21762

## Flow Characteristics



## Dimensions



## Ordering Information

# 205-1009-4

Bowl Type	
Polycarbonate	0
Polycarbonate w/ Bowl Guard	1
Metal	2
Metal w/ Sight Level	3

Pressure Drop Indicator	
Without PDI	0
With PDI	8

Elements	
0.3 micron	9
0.01 micron	8

Pipe Size	
1/4"	2
3/8"	3
1/2"	4

### OPTIONS

Anodizing	
Green (Standard)	Blank
Blue	A1
Black	A2
Clear	A3
Red	A5
Yellow	A6
Gold	A7
Purple	A8
Drain	
Manual (Standard)	Blank
Impulse (External)	D
Float (Internal)	F
Seals	
Buna-N (Standard)	Blank
Fluorocarbon (Viton)	V
Mounting Hole	
Two 1/4-20 mounting holes on top surface	MH
1/4 NPT mounting hole on side	MS



Manual Drain



Automatic Drain

## Features

- Removes liquid and sub-micron solids
- 0.3 micron element removes 99.97% of all moisture and dirt from the air
- 0.01 micron element removes 99.995% of all moisture and dirt from the air
- Manual drain standard; float or impulse drain available
- Pressure drop indicator available to show when element needs to be changed
- Tie-Rod construction for maximum stability
- Standard green anodized filter housing (other colors available)

## Operating Specifications

**Bowl Capacity:** 8 oz.

**Maximum Pressure Ratings:**

- Aluminum Bowl: 250 PSIG
- Polycarbonate Bowl: 150 PSIG

**Temperature Ratings:**

- Aluminum Bowl: 0-200°F
- Polycarbonate Bowl: 0-120°F

## Accessories & Kits

**Polycarbonate Bowl Kit:** 21557

**Aluminum Bowl:** 21558

**Aluminum Bowl Kit w/ Sight Level (Trogamid):** 21559-T

**Pressure Drop Indicator Assembly:** 21542

**Elements:**

**0.3 Micron:** 21545

**0.01 Micron:** 21751

## Materials of Construction

**Head:** Anodized Machined Aluminum

**Bowl:** Polycarbonate or Anodized Machined Aluminum

**Stud:** Brass

**Element:** Borosilicate Glass Fiber with Urethane Endcaps

**Element Retainer:** Anodized Aluminum

**Retainer Nut:** Nylon

**Seals:** Buna-N (fluorocarbon available)

**Base Nut Assembly:** Anodized Machined Aluminum

**Drain:**

- Manual: Brass

- Float: Anodized Aluminum housing w/ Acetal and Stainless Steel Float Mechanism

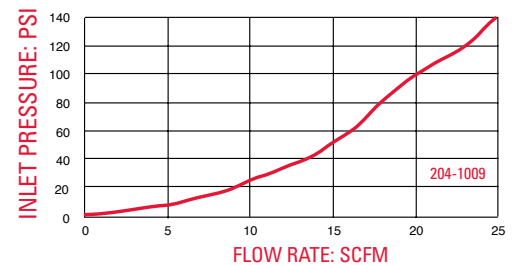
- Impulse: Machined Aluminum, Brass, Buna-N (fluorocarbon available)

**Bowl Guard:** Stainless Steel

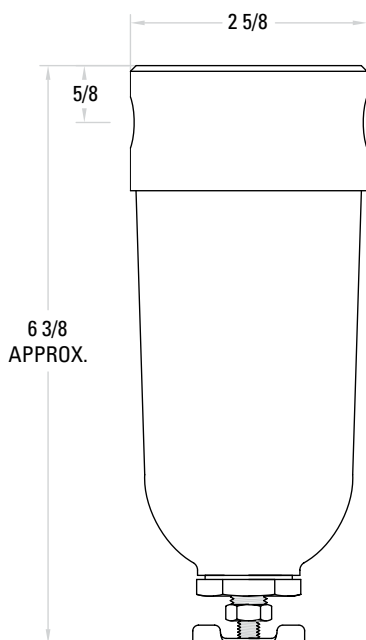
**Sight Level:** Trogamid

**Pressure Drop Indicator:** Polyethylene, Phosphate Coated Steel Retaining Ring, Trogamid Dome

## Flow Characteristics



## Dimensions



## Ordering Information

# 204-1009-4

Bowl Type	
Polycarbonate	0
Polycarbonate w/ Bowl Guard	1
Metal	2
Metal w/ Sight Level	3

Pressure Drop Indicator	
Without PDI	0
With PDI	8

Elements	
0.3 micron	9
0.01 micron	8

Pipe Size	
1/4"	2
3/8"	3
1/2"	4

### OPTIONS

Anodizing	
Green (Standard)	Blank
Blue	A1
Black	A2
Clear	A3
Red	A5
Yellow	A6
Gold	A7
Purple	A8
Drain	
Manual (Standard)	Blank
Impulse (External)	D
Float (Internal)	F
Seals	
Buna-N (Standard)	Blank
Fluorocarbon (Viton)	V
Mounting Hole	
Two 1/4-20 mounting holes on top surface	MH
1/4 NPT mounting hole on side	MS



## Features

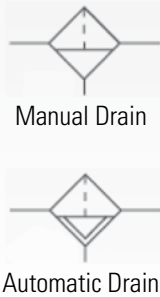
- Removes liquid and sub-micron solids
- 0.3 micron element removes 99.97% of all moisture and dirt from air
- 0.01 micron element removes 99.995% of moisture oil and dirt from air
- Manual drain standard; float or impulse drain available
- Pressure drop indicator available to show when element needs to be changed
- Tie-rod construction
- Green anodized filter housing standard (other colors available)

## Operating Specifications

- Bowl Capacity:** 32 oz.
- Maximum Pressure Ratings:**
- Aluminum Bowl: 250 PSIG
  - Polycarbonate Bowl: 150 PSIG
- Temperature Ratings:**
- Aluminum Bowl: 0-200°F
  - Polycarbonate Bowl: 0-120°F

## Materials of Construction

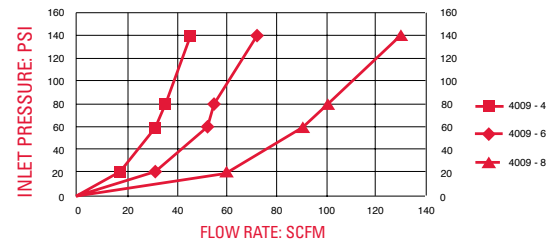
- Head:** Anodized Machined Aluminum
- Bowl:** Polycarbonate or Anodized Machined Aluminum
- Base (Polycarbonate Bowl Only):** Anodized Aluminum
- Stack:** Anodized Aluminum
- Stud:** Brass
- Element:** Borosilicate Glass Fiber with Urethane End-caps
- Element Retainer:** Anodized Machined Aluminum
- Element Retainer Nut:** Nylon
- Base Nut:** Anodized Machined Aluminum
- Seals:** Buna-N (fluorocarbon available)
- Drain:** - Manual: Brass and Plated Steel  
- Float: Anodized Aluminum housing w/ Acetal and Stainless Steel Float Mechanism  
- Impulse: Machined Aluminum, Brass, and Buna-N (fluorocarbon available)
- Bowl Guard:** Stainless Steel
- Sight Level:** Trogamid
- Pressure Drop Indicator:** Polyethylene, Phosphate Coated Steel Retaining Ring, Polycarbonate Dome (Trogamid Available)



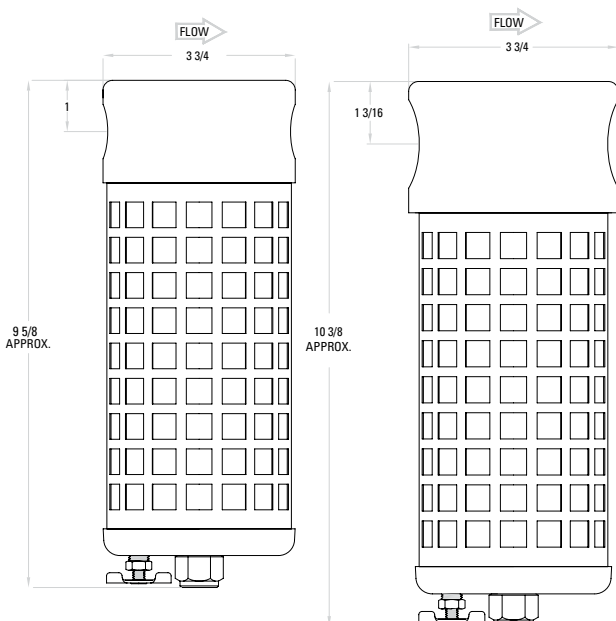
## Accessories & Kits

	1/2" (4)	3/4" & 1" (6, 8)
<b>Polycarbonate Bowl Kit:</b>	24557	24422
<b>Aluminum Bowl Kit:</b>	24558	24421
<b>Aluminum Bowl Kit w/ Polycarbonate Sight Level Trogamid:</b>	24559-T	24423-T
<b>Pressure Drop Indicator Assembly:</b>	21542	
<b>Elements: 1/2" 0.3 Micron:</b>	24547	
<b>Elements: 1/2" 0.01 Micron:</b>	24751	
<b>Elements: 3/4", 1" 0.3 Micron:</b>	24548	
<b>Elements: 3/4", 1" 0.01 Micron:</b>	24572	

## Flow Characteristics



## Dimensions



## Ordering Information

# 204-4009-6

Bowl Type	
Polycarbonate	0
Polycarbonate w/ Bowl Guard	1
Metal	2
Metal w/ Sight Level	3

Pressure Drop Indicator	
Without PDI	0
With PDI	8

Elements	
0.3 micron	9
0.01 micron	8

Pipe Size	
1/2"	4
3/4"	6
1"	8

## OPTIONS

Anodizing	
Green (Standard)	Blank
Blue	A1
Black	A2
Clear	A3
Red	A5
Yellow	A6
Gold	A7
Purple	A8
Drain	
Manual (Standard)	Blank
Impulse (External)	D
Float (Internal)	F
Seals	
Buna-N (Standard)	Blank
Fluorocarbon (Viton)	V
Mounting Hole	
Two 1/4-20 mounting holes on top surface	MH
1/4 NPT mounting hole on side	MS



## Features

- Removes liquid and sub-micron solids
- 0.3 micron element removes 99.97% of all moisture and dirt from the air
- 0.01 micron element removes 99.995% of all moisture and dirt from the air
- Manual drain standard; float or impulse drain available
- Pressure drop indicator available to show when element needs to be changed
- High flow with 64 oz. bowl capacity
- Standard green anodized filter housing (other colors available)

## Operating Specifications

- Bowl Capacity:** 64 oz.  
**Maximum Pressure Ratings:**  
 - Aluminum Bowl: 250 PSIG  
 - Polycarbonate Bowl: 150 PSIG  
**Temperature Ratings:**  
 - Aluminum Bowl: 0-200°F  
 - Polycarbonate Bowl: 0-120°F

## Materials of Construction

- Head, Bowl, Base & Stack:** Anodized Machined Aluminum  
**Stud:** Brass  
**Element:** Borosilicate Glass Fiber with Urethane End Caps  
**Element Retainer:** Anodized Machined Aluminum  
**Element Retainer Nut:** Nylon  
**Base Nut:** Anodized Machined Aluminum  
**Seals:** Buna-N (fluorocarbon available)  
**Drain:**  
 - Manual: Brass and Plated Steel  
 - Float: Acetal and Stainless Steel  
 - Impulse: Machined Aluminum, Brass, and Buna-N (fluorocarbon available)  
**Sight Level:** Trogamid  
**Pressure Drop Indicator:** Polyethylene, Phosphate Coated Steel Retaining Ring, Trogamid Dome



Manual Drain

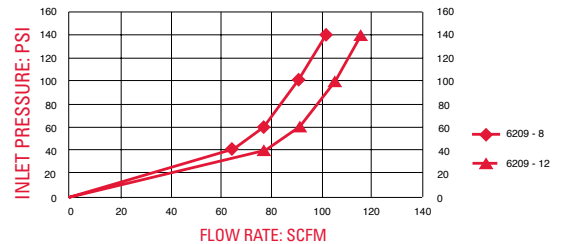


Automatic Drain

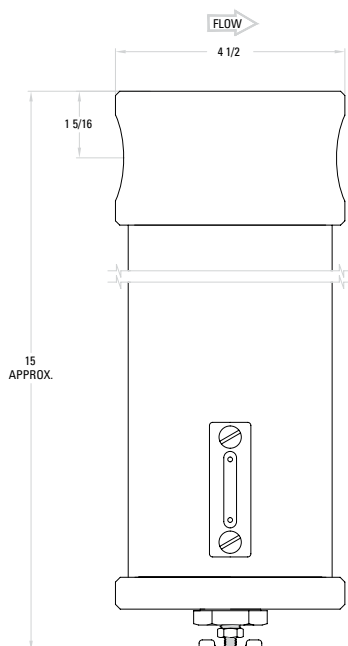
## Accessories & Kits

- Seal Kit:** 26565  
**Sight Levels:** 21537-T  
**Pressure Drop Indicator Assembly:** 21542-T  
**Pressure Drop Indicator Seal Kit:** 21543  
**Elements: 0.3 Micron:** 26550 **0.01 Micron:** 26751  
**Metal Bowl Kit:** 26558  
**Metal Bowl Kit w/ Sight Levels:** 26559-T

## Flow Characteristics



## Dimensions



## Ordering Information

# 204-6209-8

Bowl Type	
Metal	2
Metal w/ Sight Level	3
Pressure Drop Indicator	
Without PDI	0
With PDI	8
Elements	
0.3 micron	9
0.01 micron	8

Pipe Size	
1"	8
1 1/4"	10
1 1/2"	12

### OPTIONS

Anodizing	
Green (Standard)	Blank
Blue	A1
Black	A2
Clear	A3
Red	A5
Yellow	A6
Gold	A7
Purple	A8
Drain	
Manual (Standard)	Blank
Impulse (External)	D
Float (Internal)	F
Seals	
Buna-N (Standard)	Blank
Fluorocarbon (Viton)	V
Mounting Hole	
Two 1/4-20 mounting holes on top surface	MH
1/4 NPT mounting hole on side	MS





## Features

- High flow with minimal pressure drop
- 1.5PSI  $\Delta P$  at rated flow
- Available with manual or float drain

## Operating Specifications

**Port Sizes:** 1-1/4", 1-1/2", 2"  
**Thread Styles:** NPT, BSPT, BSPP  
**Flow Capacity:** 400 & 700 SCFM @ 100 PSI  
**Maximum Temperature:** 175° F  
**Maximum Pressure:** 200 PSIG  
**Filter Capacity:** 0.01 micron  
**Differential Pressure:** <1.5 PSI  $\Delta P$  at Rated Flow

## Accessories & Kits

**Bowl O-Ring (400/700):** 27001  
**Float Drain:** 20-404  
**Differential Indicator (400/700):** 27002  
**Manual Drain:** 27003

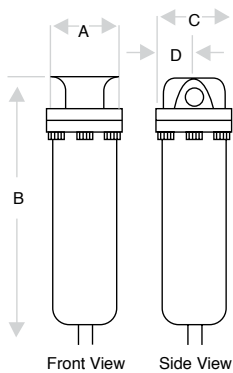
## Materials of Construction

**Housing:** Aluminum  
**Stud:** Stainless Steel  
**Indicator:** Nylon  
**Seals:** Buna-N  
**Elements:** Aluminum and Stainless Steel  
**Assembly Screws:** Black Oxide Plated Steel  
**Drain (20-404):** Anodized Aluminum, Acetal, and Stainless Steel

## Replacement Elements:

**7208:** 27004  
**8208:** 28001

## Dimensions



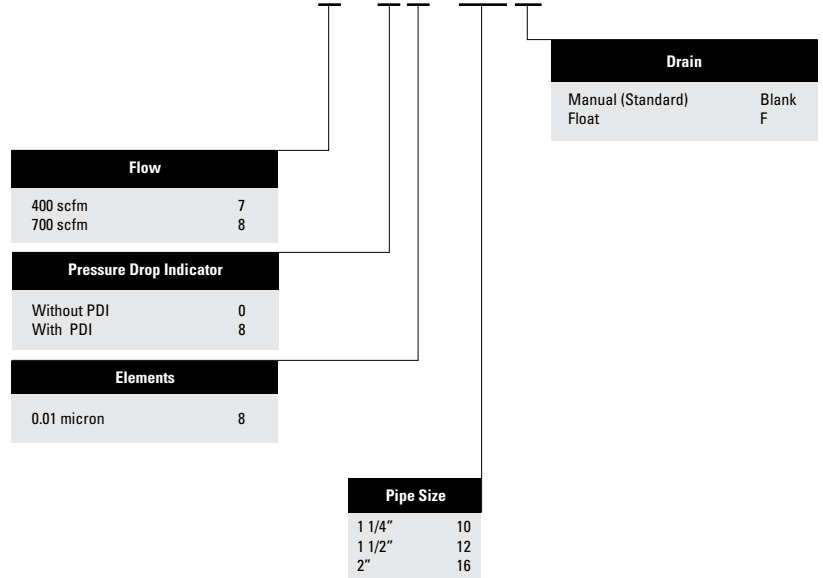
**Metal Bowl, Manual Drain**  
**A: 7.8 B: 27.5 C: 7.8 D: 3.9**

**Metal Bowl, Float Drain**  
**A: 7.8 B: 32.0 C: 7.8 D: 3.9**

**Metal Bowl, Float Drain w/ Indicator**  
**A: 7.8 B: 33.0 C: 7.8 D: 3.9**

## Ordering Information

# 201-7208-10F





## Features

- High flow with minimal pressure drop
- 1.5PSI  $\Delta$ P at 1200 scfm
- Available with manual or float drain

## Operating Specifications

**Port Sizes:** 3"  
**Thread Styles:** NPT, BSPT, BSPP  
**Flow Capacity:** 1200 SCFM @ 100 PSI  
**Maximum Temperature:** 175° F  
**Maximum Pressure:** 200 PSIG  
**Filter Capacity:** 0.01 micron  
**Differential Pressure:** 1.5 PSI  $\Delta$ P at Rated Flow

## Accessories & Kits

**Float Drain:** 20-404  
**Manual Drain:** 29002  
**Replacement Element:** 29003

## Materials of Construction

**Housing:** Aluminum  
**Stud:** Stainless Steel  
**Indicator:** Nylon  
**Seals:** Buna-N  
**Elements:** Aluminum and Stainless Steel  
**Assembly Screws:** Black Oxide Plated Steel  
**Drain (20-404):** Anodized Aluminum, Acetal and Stainless Steel

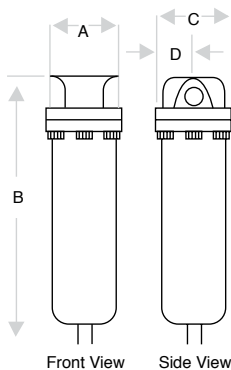


Manual Drain



Automatic Drain

## Dimensions



**Metal Bowl, Manual Drain**  
**A: 8.0 B. 39.5 C. 8.0 D. 4.0**

**Metal Bowl, Float Drain**  
**A: 8.0 B. 45.0 C. 8.0 D. 4.0**

## Ordering Information

# 201-9208-24F

		<b>Drain</b>	
		Manual (Standard) Float	Blank F
<b>Pressure Drop Indicator</b>			
Without PDI	0		
With PDI	8		
<b>Pipe Size</b>			
3"	24		