

Adequate pressure regulation is necessary for the efficient use of pneumatic equipment. Monnier regulators are built in a variety of sizes (1/8" through 1-1/2") and with varied specifications to help suit each application's requirements. Our regulators are built with two basic designs. Diaphragm operated regulators are used to offer a quick response and maximum accuracy. Piston operated regulators provide the highest air flow possible in the larger regulator series. Monnier regulators can also be offered as relieving or non-relieving, depending on the specific needs of the application.

Monnier designs a wide variety of compressed air regulators to provide constant pressure. Standard regulators are suitable for optimal pressure ranges from 0-10 psi to 20-250 psi.

## Additional Options

- Preset at the factory
- Preset and tamper-resistant
- Lock and key regulators to eliminate unwanted adjustment
- Reverse flow regulators
- Manifold mount regulators
- Pilot operated regulators
- Anodizing available in any of eight standard colors for any regulator
- Multiple mounting options for all regulators; pipe, bracket or panel mounting

## Features

- All regulators will adjust to zero psi (shutoff) and to pressure above the range shown.
- Gauge port plugs are included with all regulators.
- Fluorocarbon seals available in place of Buna-N.
- All regulators available with pressure gauges corresponding to the pressure range.

## Specifications

Maximum Inlet Pressure: 250 PSI

Maximum Temperature: 175°F

<b>3000 Miniature Series</b>	<b>3</b>
<b>101-3100 Manifold Mount Reverse Flow Regulators</b>	<b>4</b>
<b>104-1000 Standard Series</b>	<b>5</b>
<b>104C-1000 Standard Series</b>	<b>6</b>
<b>108-1000 Standard Series</b>	<b>7</b>
<b>101-1000 Standard Series</b>	<b>8</b>
<b>4000/5000 Heavy Duty Series</b>	<b>9</b>
<b>Iso-Sized Manifold Mount Regulators</b>	<b>10</b>
<b>Piloted Operated Pressure Regulators</b>	<b>11</b>
<b>Subminiature Regulators</b>	<b>14</b>
<b>UL Label Regulators</b>	<b>16</b>
<b>3101 Series Relief Valves</b>	<b>17</b>
	<b>18</b>



## Warning

- Product rupture can cause serious injury
- Do not connect regulator to bottled gas
- Do not exceed maximum primary pressure rating

**WARRANTY:** Monnier warrants each product against defects in material and workmanship for a period of one year from the date of manufacture providing its use was in accordance with Monnier recommendations. If the product fails to perform as warranted, Monnier will, at its option, repair or replace the product free of charge. The company will not be liable for incidental or consequential damages. We make no other warranty, expressed or implied, including warranties of merchantability or fitness for a particular purpose.



## Features

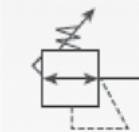
- Machined aluminum body provides close tolerances for exceptional accuracy, repeatability and responsiveness
- Available with polycarbonate bonnet with locking ring or aluminum bonnet and locking nut
- Diaphragm style regulator for minimal hysteresis and greater accuracy and responsiveness
- Constant bleed fitting available for even greater accuracy
- Relieving and non-relieving versions available
- Gauge port plugs included
- Preset and tamperproof options available
- Also available with brass body for water service (non-relieving recommended)

## Operating Specifications

**Gauge Ports:** 1/8" NPT  
**Maximum Inlet Pressure:** 250 PSIG  
**Temperature Range:** 0-175°F  
**Weight:** 87 g

## Accessories & Kits

**Panel Nuts:** 13133 (101-3000 Series);  
 13025 (111/102-3000 Series)  
**Bracket Kits:** 13536 (101-3000 Series);  
 13534 (111/102-3000 Series)  
**Service Kits:** 13532 (Relieving);  
 13533 (Non-Relieving)  
**Constant Bleed Fitting:** 13520



Relieving

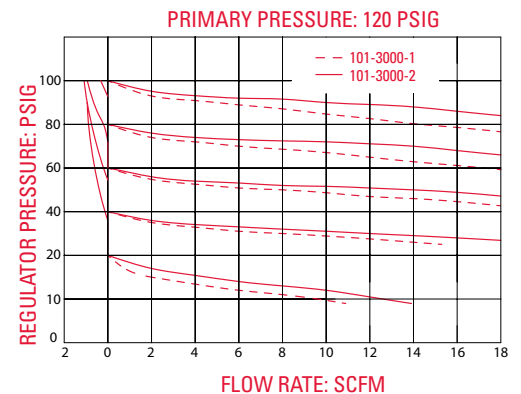


Non-Relieving

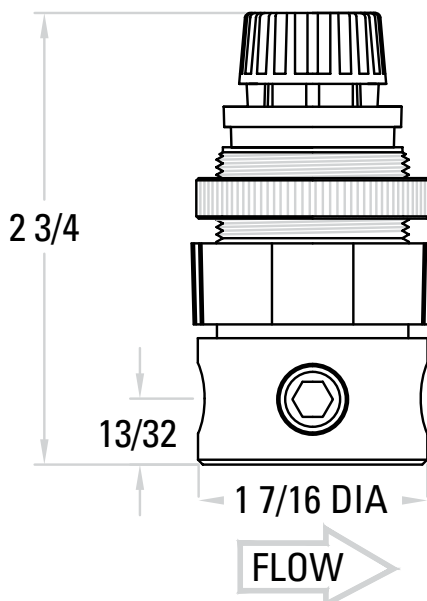
## Materials of Construction

**Body:** Machined Aluminum or Brass  
**Bonnet:** 101-3000: Polycarbonate  
 111/102-3000: Aluminum  
**Adjustment Screw:**  
 101-3000: Black Oxide Coated Steel  
 111/102-3000: Zinc Plated Steel (102 series)  
**Poppet Seat:** Nylon  
**Diaphragm Assembly:** Zinc Plated Steel, Brass, Buna-N (fluorocarbon available)  
**Seals:** Buna-N (fluorocarbon available)  
**Poppet Spring:** Stainless Steel  
**Compression Spring:** Music Wire, Spring Steel  
**Bracket:** Zinc Plated Steel  
**Panel Nut:** Machined Aluminum

## Flow Characteristics



## Dimensions



## Ordering Information

# 101 -3000-2

Bonnet	
Polycarbonate	01
Aluminum w/ Adjusting Screw	11
Aluminum w/ Knob	02

Body	
Aluminum (standard)	Blank
Brass	B

Gauge Ports	
Yes	0
No	1

Pressure	
10-130 Relieving	00
10-130 Non-Relieving	01
5-60 Relieving	02
5-60 Non-Relieving	03
3-30 Relieving	04
3-30 Non-Relieving	05
20-250 Relieving (Aluminum Bonnet Only)	06
20-250 Non-Relieving (Aluminum Bonnet Only)	07
1-10 Relieving	08
1-10 Non-Relieving	09

Pipe Size	
1/8"	1
1/4"	2

## OPTIONS

Anodizing	
No Anodizing (Standard)	Blank
Blue	A1
Black	A2
Clear	A3
Green	A4
Red	A5
Yellow	A6
Gold	A7
Purple	A8

Seals	
Buna-N	Blank
Fluorocarbon	V

Attachment Parts	
Bracket Kit	B
Gauge	G

Tamperproof	
Tamper-Proof (Plastic Tie w/ Poly Bonnet)	T
Tamper-Proof (Set screw w/ Alum Bonnet)	TS
Preset	P
Preset & Tamper-Proof (Plastic Tie)	PT
Preset & Tamper-Proof (Set Screw)	PTS



## Features

- Same performance as the 101-3000 series but with easy to mount manifold interface
- 3/8-24 nipple acts as inlet and mounting mechanism
- No mounting screw or hardware required
- Perfect for multiple pressure manifolds or integrating components in a pneumatic circuit

## Operating Specifications

**Maximum Inlet Pressure:** 250 PSIG  
**Temperature Range:** 0-175°F  
**Weight:** 87 g

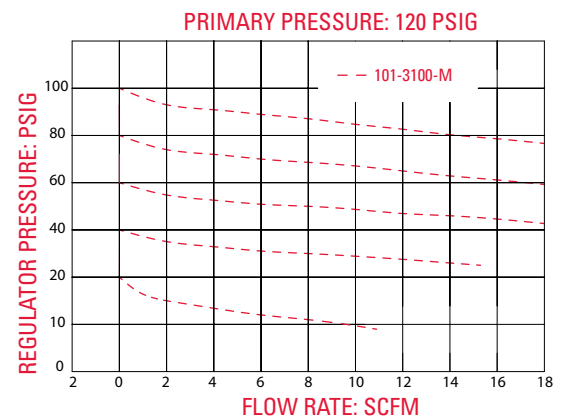
## Materials of Construction

**Body:** Machined Aluminum or Brass  
**Bonnet:** 101-3000: Polycarbonate  
 111/102-3000: Aluminum  
**Adjustment Screw:**  
 101-3000: Black Oxide Coated Steel  
 111/102-3000: Zinc Plated Steel (102 series)  
**Poppet Seat:** Nylon  
**Diaphragm Assembly:** Zinc Plated Steel, Brass, Buna-N (fluorocarbon available)  
**Seals:** Buna-N (fluorocarbon available)  
**Poppet Spring:** Stainless Steel  
**Compression Spring:** Music Wire, Spring Steel  
**Bracket:** Zinc Plated Steel  
**Panel Nut:** Machined Aluminum  
**Mounting Nipple:** Zinc Plated Steel

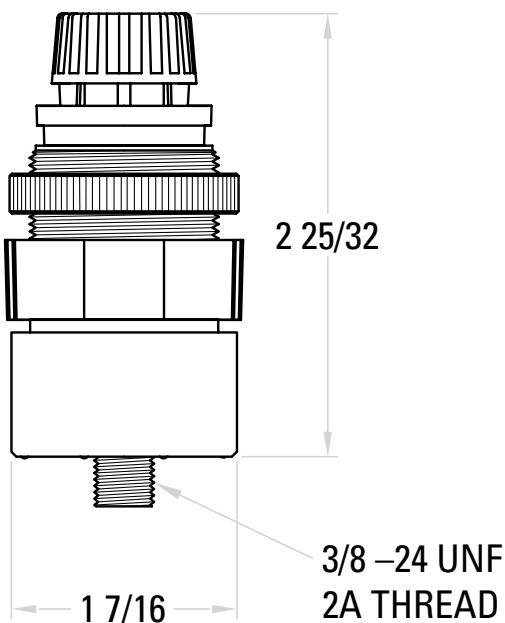
## Accessories & Kits

**Panel Nuts:** 13133 (101-3000 Series);  
 13025 (111/102-3000 Series)  
**Bracket Kits:** 13536 (101-3000 Series);  
 13534 (111/102-3000 Series)  
**Service Kits:** 13532 (Relieving);  
 13533 (Non-Relieving)  
**Constant Bleed Fitting:** 13520

## Flow Characteristics



## Dimensions



## Ordering Information

### 101-3100-M

Bonnet	
Polycarbonate	01
Aluminum w/ Adjusting Screw	11
Aluminum w/ Knob	02

Pressure	
10-130 Relieving	00
10-130 Non-Relieving	01
5-60 Relieving	02
5-60 Non-Relieving	03
3-30 Relieving	04
3-30 Non-Relieving	05
20-250 Relieving	
(Aluminum Bonnet Only)	06
20-250 Non-Relieving	
(Aluminum Bonnet Only)	07
1-10 Relieving	08
1-10 Non-Relieving	09

### OPTIONS

Anodizing	
No Anodizing (Standard)	Blank
Blue	A1
Black	A2
Clear	A3
Green	A4
Red	A5
Yellow	A6
Gold	A7
Purple	A8



## Features

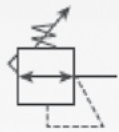
- Provides regulated pressure when flowing inlet to outlet
- Built-in check valve allows unrestricted reverse flow
- Allows regulator to be placed between valve and actuator to regulate cylinder ports independently
- Same accuracy, repeatability and responsiveness as standard 101-3000 regulators

## Operating Specifications

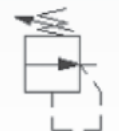
**Gauge Ports:** 1/8" NPT  
**Maximum Inlet Pressure:** 250 PSIG  
**Temperature Range:** 0-175°F  
**Weight:** 87 g

## Accessories & Kits

**Panel Nuts:** 13133 (101-3000 Series);  
 13025 (111/102-3000Series)  
**Bracket Kits:** 13536 (101-3000 Series);  
 13534 (111/102-3000 Series)  
**Service Kits:** 13532 (Relieving);  
 13533 (Non-Relieving)  
**Constant Bleed Fitting:** 13520



Relieving

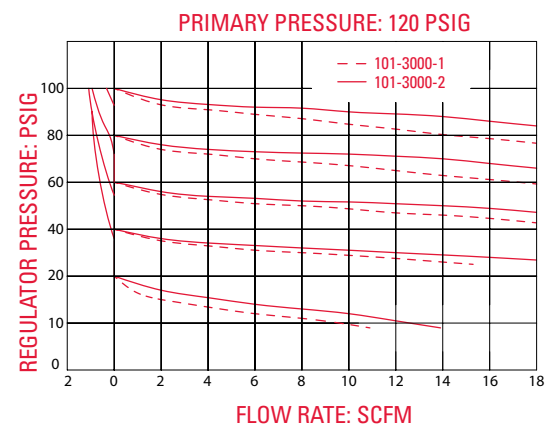


Non-Relieving

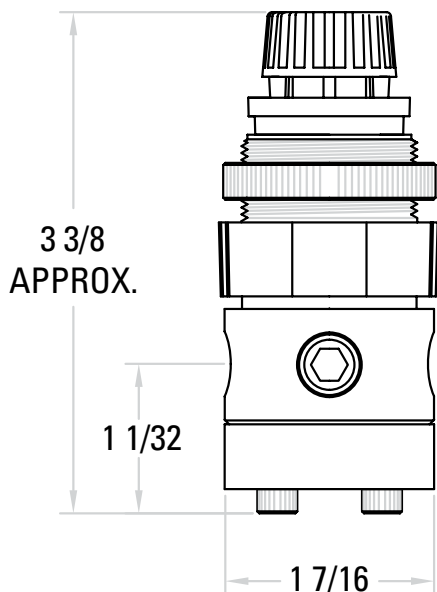
## Materials of Construction

**Body:** Aluminum  
**Bonnet:** Polycarbonate or Aluminum  
**Adjustment Screw:**  
 101-3000: Black Oxide Coated Steel  
 111/102-3000: Zinc Plated Steel (102 Series)  
**Poppet Seat:** Nylon  
**Diaphragm Assembly:** Zinc Plated Steel, Brass, Buna-N (fluorocarbon available)  
**Seals:** Buna-N (fluorocarbon available)  
**Poppet Spring:** Stainless Steel  
**Compression Spring:** Music Wire, Spring Steel  
 Poppet Spring: Stainless Steel  
**Bracket:** Zinc Plated Steel  
**Panel Nut:** Machined Aluminum  
**Check Valve Ball:** Buna-N (fluorocarbon available)  
**Check Valve Spring:** Stainless Steel  
**Check Valve Cover:** Aluminum

## Flow Characteristics



## Dimensions



## Ordering Information

### 101C-3000-2

Bonnet	
Polycarbonate	01
Aluminum w/ Adjusting Screw	11
Aluminum w/ Knob	02

Gauge Ports	
Yes	0
No	1

Pressure	
10-130 Relieving	00
10-130 Non-Relieving	01
5-60 Relieving	02
5-60 Non-Relieving	03
3-30 Relieving	04
3-30 Non-Relieving	05
20-250 Relieving	06
20-250 Non-Relieving	07
1-10 Relieving	08
1-10 Non-Relieving	09

Pipe Size	
1/8"	1
1/4"	2

### OPTIONS

Anodizing	
No Anodizing (Standard)	Blank
Blue	A1
Black	A2
Clear	A3
Green	A4
Red	A5
Yellow	A6
Gold	A7
Purple	A8

Seals	
Buna-N	Blank
Fluorocarbon	V

Attachment Parts	
Bracket Kit	B
Gauge	G

Tamperproof	
Tamper-Proof (Plastic Tie w/ Poly Bonnet)	T
Tamper-Proof (Set screw w/ Alum Bonnet)	TS
Preset	P
Preset & Tamper-Proof (Plastic Tie)	PT
Preset & Tamper-Proof (Set Screw)	PTS



## Features

- Machined Aluminum body provides close tolerances for exceptional accuracy, repeatability and responsiveness
- Diaphragm style regulator for minimal hysteresis and greater responsiveness
- Constant bleed fitting available for even greater accuracy
- Relieving and non-relieving versions available
- Gauge port plugs included
- Bracket and panel mounting available
- Available with T-handle, knob or lock and key mechanism
- Preset and tamperproof options available

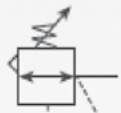
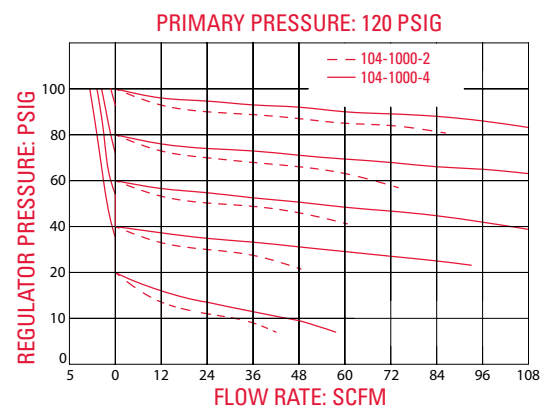
## Materials of Construction

- Body:** Machined Aluminum
- Bonnet:** Aluminum
- Adjustment Screw:** Zinc Plated Steel
- Poppet Valve:** Brass
- Poppet Spring:** Stainless Steel
- Poppet Seat:** Brass
- Diaphragm Assembly:** Buna-N (Fluorocarbon available) and Brass
- Seals:** Buna-N (fluorocarbon available)
- Compression Spring:** Zinc Plated Steel
- Spring Guide:** Zinc Plated Steel

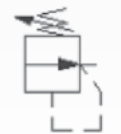
## Operating Specifications

- Gauge Ports:** two 1/4" NPT (Standard)
- Maximum Inlet Pressure:** 250 PSIG
- Temperature Rating:** Aluminum Bonnet: 0-175°F
- Weight:** 430 g

## Flow Characteristics



Relieving

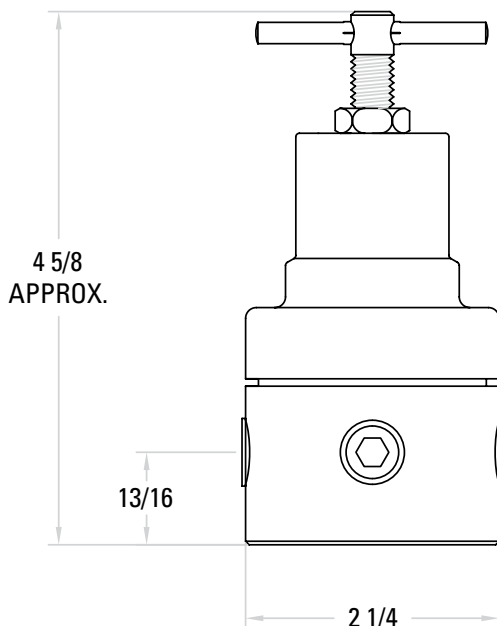


Non-Relieving

## Accessories & Kits

- Panel Nuts:** 11124 (105 & 106)
- Repair Kit:** (Relieving) 11513; (Relieving -1006) 11959; (Non-Relieving) 11515; (Non-Relieving-1007) 11958
- Bracket:** 11122 (105 & 106); 11543 (104)
- Constant Bleed Fitting:** (1/4") 13557

## Dimensions



## Ordering Information

### 104-1000-2

Thread Options	
Unthreaded Bonnet	4
Threaded bonnet w/ Nuts	5
Threaded Bonnet w/ Bracket and Nuts	6
Gauge Ports	
Yes	0
No	1
Pressure	
10-130 Relieving	00
10-130 Non-Relieving	01
5-60 Relieving	02
5-60 Non-Relieving	03
3-30 Relieving	04
3-30 Non-Relieving	05
20-250 Relieving	06
20-250 Non-Relieving	07

Pipe Size	
1/4"	2
3/8"	3
1/2"	4

### OPTIONS

Anodizing	
No Anodizing (Standard)	Blank
Blue	A1
Black	A2
Clear	A3
Green	A4
Red	A5
Yellow	A6
Gold	A7
Purple	A8
Seals	
Buna-N	Blank
Fluorocarbon	V
Attachment Parts	
Gauge	G
Knob	K
Tamperproof	
Tamper-Proof (Lock & Key)	T
Preset	P
Preset & Tamper-Proof (Lock & Key)	PT



## Features

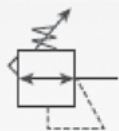
- Provides regulated pressure when flowing inlet to outlet
- Built-in check valve allows unrestricted reverse flow
- Allows regulator to be placed between valve and actuator to regulate cylinder ports independently
- Same accuracy, repeatability and responsiveness as standard 104-1000 regulators

## Operating Specifications

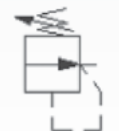
**Gauge Ports:** 1/4" NPT (Standard)  
**Maximum Inlet Pressure:** 250 PSIG  
**Temperature Rating:** Aluminum Bonnet: 0-175°F  
**Weight:** 430 g

## Accessories & Kits

**Panel Nuts:** 11124 (105 & 106)  
**Repair Kit:** (Relieving) 11513;  
 (Relieving -1006) 11959;  
 (Non-Relieving) 11515;  
 (Non-Relieving-1007) 11958  
**Bracket:** 11122 (105 & 106); 11543 (104)  
**Constant Bleed Fitting:** (1/4") 13557



Relieving

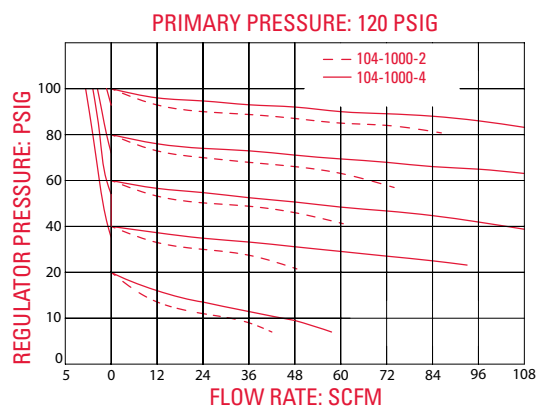


Non-Relieving

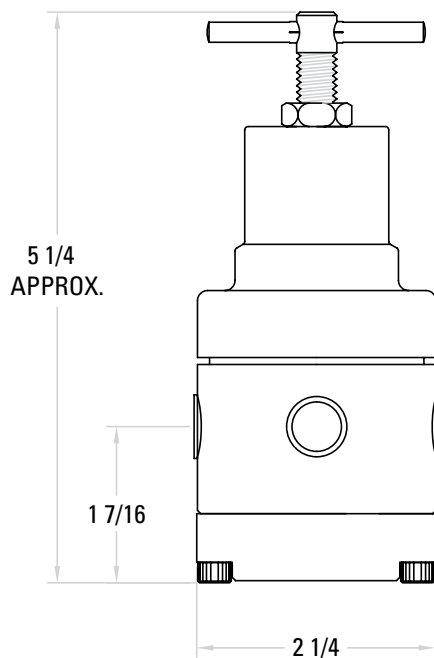
## Materials of Construction

- Body:** Machined Aluminum
- Bonnet:** Aluminum
- Adjustment Screw:** Zinc Plated Steel
- Poppet Valve:** Brass
- Poppet Spring:** Stainless Steel
- Poppet Seat:** Brass
- Diaphragm Assembly:** Buna-N and Brass (fluorocarbon available)
- Seals:** Buna-N (fluorocarbon available)
- Compression Spring:** Zinc Plated Steel
- Check Valve Ball:** Buna-N (fluorocarbon available)
- Check Valve Spring:** Stainless Steel
- Check Valve Cover:** Machined Aluminum

## Flow Characteristics



## Dimensions



## Ordering Information

### 104C-1000-2

Thread Options	
Unthreaded Bonnet	4
Threaded bonnet w/ Nuts	5
Threaded Bonnet w/ Bracket and Nuts	6

Pressure	
10-130 Relieving	00
10-130 Non-Relieving	01
5-60 Relieving	02
5-60 Non-Relieving	03
3-30 Relieving	04
3-30 Non-Relieving	05
20-250 Relieving	06
20-250 Non-Relieving	07

Pipe Size	
1/4"	2
3/8"	3
1/2"	4

### OPTIONS

Anodizing	
No Anodizing (Standard)	Blank
Blue	A1
Black	A2
Clear	A3
Green	A4
Red	A5
Yellow	A6
Gold	A7
Purple	A8
Seals	
Buna-N	Blank
Fluorocarbon	V
Attachment Parts	
Gauge	G
Knob	K
Tamperproof	
Tamper-Proof (Lock & Key)	T
Preset	P
Preset & Tamper-Proof (Lock & Key)	PT



## Features

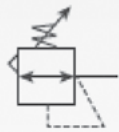
- Convenient push to lock knob design
- Acetal bonnet and knob
- Mounting nut comes standard
- Diaphragm design for minimal hysteresis and greater responsiveness
- Black anodizing standard (other colors available)
- Machined aluminum body
- Can be ordered with gauge

## Operating Specifications

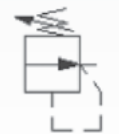
**Gauge Ports:** 1/4" NPT (Standard)  
**Maximum Inlet Pressure:** 250 PSIG  
**Temperature Rating:** Aluminum Bonnet: 0-175°F  
**Weight:** 522g

## Materials of Construction

**Body:** Machined Aluminum  
**Bonnet:** Glass Filled Acetal  
**Knob, Adjuster & Mounting Nut:** Acetal  
**Diaphragm Gasket:** Acetal  
**Spring Guide:** Machined Aluminum  
**Seat:** Brass  
**Poppet Assembly:** Brass  
**Seals:** Buna-N (fluorocarbon available)  
**Compression Spring:** Zinc Plated Steel  
**Poppet Spring:** Stainless Steel



Relieving



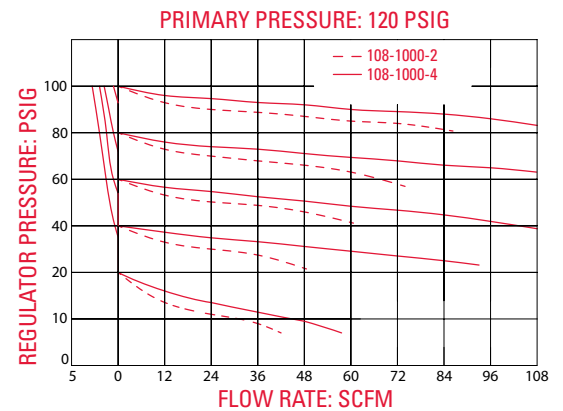
Non-Relieving

## Accessories & Kits

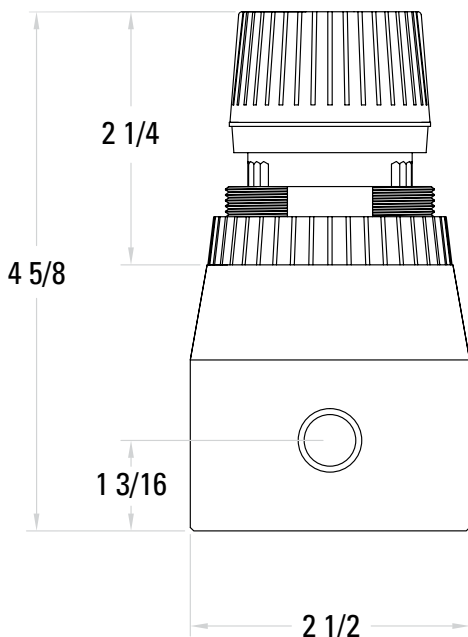
**Mounting Bracket:** 11430

REGULATOR KITS	0-50 PSI	0-150 PSI
<b>Relieving (1/4 &amp; 3/8):</b>	11472	11470
<b>Non-Relieving (1/4 &amp; 3/8):</b>	11473	11471
REGULATOR KITS	0-50 PSI	0-150 PSI
<b>Relieving (1/2):</b>	11482	11480
<b>Non-Relieving (1/2):</b>	11483	11481

## Flow Characteristics



## Dimensions



## Ordering Information

# 108-1000-4

Pressure Range	
0-150 Relieving	0
0-150 Non-Relieving	1
0-50 Relieving	2
0-50 Non-Relieving	3

Pipe Size	
1/4"	-2
3/8"	-3
1/2"	-4

### OPTIONS

Anodizing	
No Anodizing (Standard)	Blank
Blue	A1
Clear	A3
Green	A4
Red	A5
Yellow	A6
Gold	A7
Purple	A8
Preset	P

Attachment Parts	
Gauge	G
Bracket	B

Seals	
Buna-N (Standard)	Blank
Fluorocarbon	V



## Features

- Machined aluminum body provides close tolerances for exceptional accuracy, repeatability and responsiveness
- Diaphragm style regulator for minimal hysteresis and greater responsiveness
- Constant bleed fitting available for even greater accuracy
- Relieving and non-relieving versions available
- Gauge port plugs included
- Available with T-handle, knob or lock and key mechanism
- Available with 1/2" and 3/4" ports

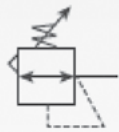
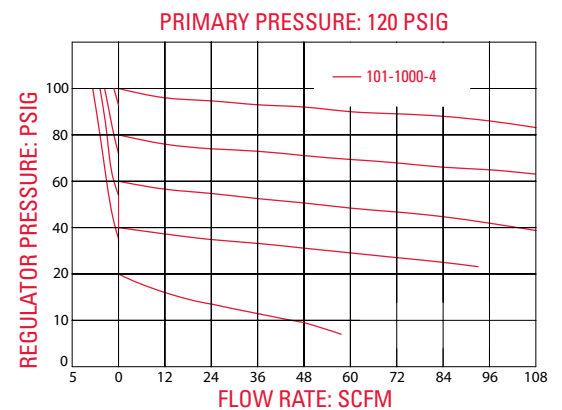
## Materials of Construction

- Body:** Machined Aluminum
- Diaphragm Assembly:** Buna-N (fluorocarbon available) and Brass
- Compression Spring:** Spring Steel
- Bonnet:** Aluminum
- Poppet Seat:** Brass
- Poppet Valve:** Brass
- Adjustment Screw:** Plated Steel
- T-Handle:** Zinc Plated Steel
- Knob:** Plastic
- Spring Guide:** Zinc Plated Steel

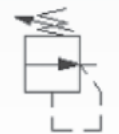
## Operating Specifications

- Gauge Ports:** 1/4" NPT (Standard)
- Maximum Inlet Pressure:** 250 PSIG
- Temperature Rating:** Aluminum Bonnet: 0-175°F
- Weight:** 522g

## Flow Characteristics



Relieving

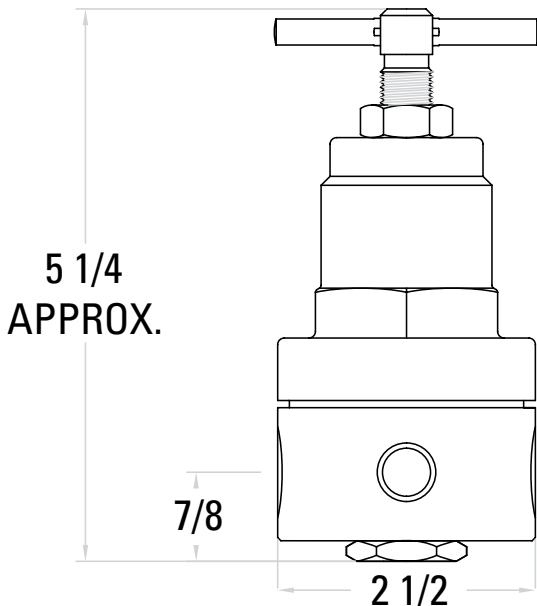


Non-Relieving

## Accessories & Kits

- Panel Nuts:** 11124 (102 & 103)
- Repair Kit:**
  - (Relieving) 11544
  - (Non-Relieving) 11565
  - (Relieving-1006) 11545
  - (Non-Relieving-1007) 11546
- Constant Blend Fitting:** 13557

## Dimensions



## Ordering Information

# 101-1000-4

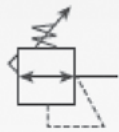
Bonnet	
Unthreaded Bonnet	1
Threaded bonnet w/ Nuts	2
Threaded Bonnet w/ Bracket and Nuts	3

Pressure	
10-130 Relieving	00
10-130 Non-Relieving	01
5-60 Relieving	02
5-60 Non-Relieving	03
3-30 Relieving	04
3-30 Non-Relieving	05
20-250 Relieving	06
20-250 Non-Relieving	07
1-10 Relieving	08
1-10 Non-Relieving	09

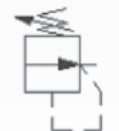
Pipe Size	
1/2"	4
3/4"	6

### OPTIONS

Anodizing	
No Anodizing (Standard)	Blank
Blue	A1
Black	A2
Clear	A3
Green	A4
Red	A5
Yellow	A6
Gold	A7
Purple	A8
Seals	
Buna-N	Blank
Fluorocarbon	V
Attachment Parts	
Gauge	G
Knob	K
Tamperproof	
Tamper-Proof (Lock & Key)	T
Preset	P
Preset & Tamper-Proof (Lock & Key)	PT



Relieving



Non-Relieving

## Features

- Pipe size between 3/4" and 1-1/2"
- Machined aluminum body provides close tolerances for exceptional accuracy, repeatability and responsiveness.
- Piston style regulator
- Relieving and non-relieving versions available
- Gauge port plugs included
- Available with T-handle, knob or lock and key mechanism
- Preset and tamperproof options available
- Gauges available
- Constant bleed fitting available for even greater accuracy

## Operating Specifications

**Gauge Ports:** two 1/4" NPT (Standard)  
**Maximum Inlet Pressure:** 250 PSIG  
**Temperature Rating:** Aluminum Bonnet: 0-175°F  
**Weight:**  
 (116-4000): 1520 g  
 (116-5000): 1428 g

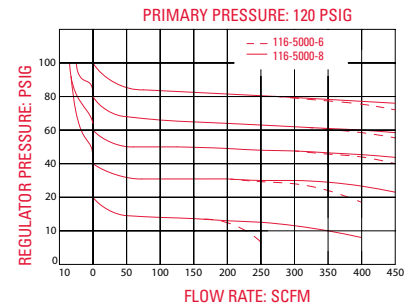
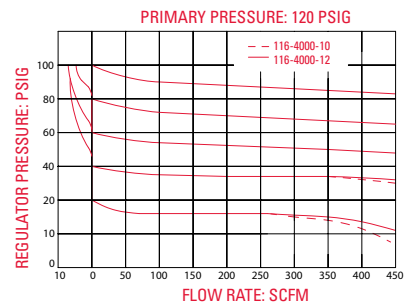
## Accessories & Kits

**Panel Nuts:** (w/ 117 only) 11125  
**Repair Kit:** 14520  
**Constant Bleed Fitting:** 13557

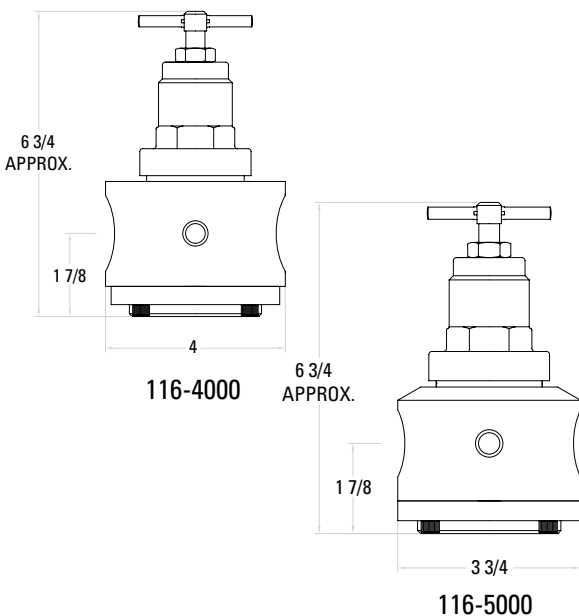
## Materials of Construction

**Body:** Machined Aluminum  
**Piston Assembly:** Machined Aluminum  
**Compression Spring:** Spring Steel  
**Bonnet:** Aluminum  
**Poppet Seat:** Brass **Poppet Valve:** Brass  
**Adjustment Screw:** Zinc Plated Steel  
**T-Handle:** Zinc Plated Steel  
**Locking Nut:** Zinc Plated Steel  
**Spring Guide:** Zinc Plated Steel  
**Knob:** Plastic

## Flow Characteristics



## Dimensions



## Ordering Information

# 116-5000-6

Thread Options	
Pipe Mounting (unthreaded)	6
Bracket Mounting (threaded)	7

Body Size	
1 1/4", 1 1/2"	4
3/4", 1"	5

Pressure	
10-130 Relieving	0
10-130 Non-Relieving	1
5-60 Relieving	2
5-60 Non-Relieving	3
3-30 Relieving	4
3-30 Non-Relieving	5
20-250 Relieving	6
20-250 Non-Relieving	7

Pipe Size	
3/4"	6
1"	8
1 1/4"	10
1 1/2"	12

### OPTIONS

Anodizing	
No Anodizing (Standard)	Blank
Blue	A1
Black	A2
Clear	A3
Green	A4
Red	A5
Yellow	A6
Gold	A7
Purple	A8

Seals	
Buna-N	Blank
Fluorocarbon	V

Attachment Parts	
Gauge	G
Knob	K

Tamperproof	
Tamper-Proof (Lock & Key)	T
Preset	P
Preset & Tamper-Proof (Lock & Key)	PT



## Features

- Manifold mount regulators sized to ISO specifications
- Available with polycarbonate or aluminum bonnets
- Adapter plates available for mounting regulator to your manifold or sandwich block
- Manifolds available - call factory for details

## Operating Specifications

SIZE	1	2	3
<b>Inlet Hole:</b>	3/8"	11/16"	13/16"
<b>Outlet Hole:</b>	(2) 1/4"	(2) 7/16"	(2) 7/16"
<b>Mounting Threads:</b>	10-32 UNF	10-32 UNF	1/4-20 UNF
<b>Maximum Temperature:</b>	175°F	175°F	175°F
<b>Maximum Inlet Pressure:</b>	250 PSI	250 PSI	250 PSI

## Accessories & Kits

SIZE	1	2	3
<b>Repair Kit:</b>	11716	11716	11836
<b>Mounting Kits:</b>	11708	11718	11838

## Materials of Construction

- Body:** Aluminum
- Bonnet:** Polycarbonate or Aluminum
- Adjusting Screw:** Zinc Plated Steel
- Locking Nut:** Zinc Plated Steel
- Spring Guide:** Zinc Plated Steel
- Poppet Valve Guide:** Brass
- Poppet Valve Spring:** Stainless Steel
- Valve Seat:** Brass
- Seals:** Buna-N (fluorocarbon available)
- Compression Spring:** Spring Steel
- Piston:** Aluminum



## Ordering Information

R 01-10 A

Pilot Option		Gauge Ports		Body Size		Pressure		OPTIONS																					
Compression Spring	Blank	Yes	0	Size 1	1	10-130 Relieving	0	<table border="1"> <thead> <tr> <th colspan="2">Anodizing</th> </tr> </thead> <tbody> <tr><td>No Anodizing (Standard)</td><td>Blank</td></tr> <tr><td>Blue</td><td>A1</td></tr> <tr><td>Black</td><td>A2</td></tr> <tr><td>Clear</td><td>A3</td></tr> <tr><td>Green</td><td>A4</td></tr> <tr><td>Red</td><td>A5</td></tr> <tr><td>Yellow</td><td>A6</td></tr> <tr><td>Gold</td><td>A7</td></tr> <tr><td>Purple</td><td>A8</td></tr> </tbody> </table>		Anodizing		No Anodizing (Standard)	Blank	Blue	A1	Black	A2	Clear	A3	Green	A4	Red	A5	Yellow	A6	Gold	A7	Purple	A8
Anodizing																													
No Anodizing (Standard)	Blank																												
Blue	A1																												
Black	A2																												
Clear	A3																												
Green	A4																												
Red	A5																												
Yellow	A6																												
Gold	A7																												
Purple	A8																												
Pilot Operated	P	No	1	Size 2	2	10-130 Non-Relieving	1																						
				Size 3	3	5-60 Relieving	2	<table border="1"> <thead> <tr> <th colspan="2">Seals</th> </tr> </thead> <tbody> <tr><td>Buna-N</td><td>Blank</td></tr> <tr><td>Fluorocarbon</td><td>V</td></tr> </tbody> </table>		Seals		Buna-N	Blank	Fluorocarbon	V														
Seals																													
Buna-N	Blank																												
Fluorocarbon	V																												
						5-60 Non-Relieving	3																						
						3-30 Relieving	4	<table border="1"> <thead> <tr> <th colspan="2">Attachment Parts</th> </tr> </thead> <tbody> <tr><td>Knob (Aluminum Bonnet only)</td><td>K</td></tr> </tbody> </table>		Attachment Parts		Knob (Aluminum Bonnet only)	K																
Attachment Parts																													
Knob (Aluminum Bonnet only)	K																												
						3-30 Non-Relieving	5																						
						20-250 Relieving (metal bonnet only)	6	<table border="1"> <thead> <tr> <th colspan="2">Bonnet</th> </tr> </thead> <tbody> <tr><td>Aluminum Bonnet</td><td>A</td></tr> <tr><td>Polycarbonate Bonnet (Size 1 &amp; 2 only)</td><td>P</td></tr> </tbody> </table>		Bonnet		Aluminum Bonnet	A	Polycarbonate Bonnet (Size 1 & 2 only)	P														
Bonnet																													
Aluminum Bonnet	A																												
Polycarbonate Bonnet (Size 1 & 2 only)	P																												
						20-250 Non-Relieving (metal bonnet only)	7																						

## SIZE 1

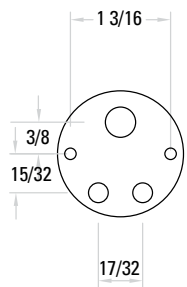
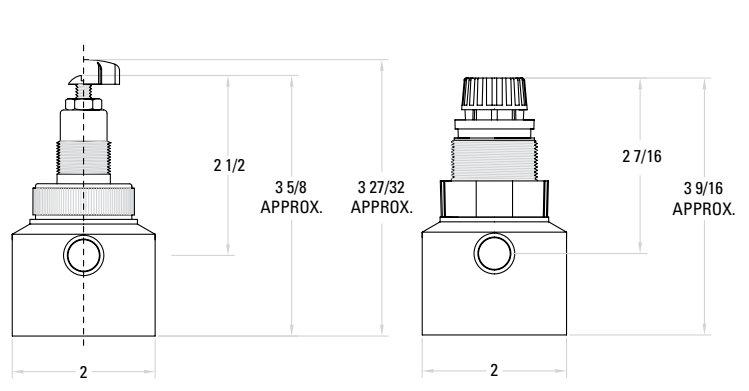
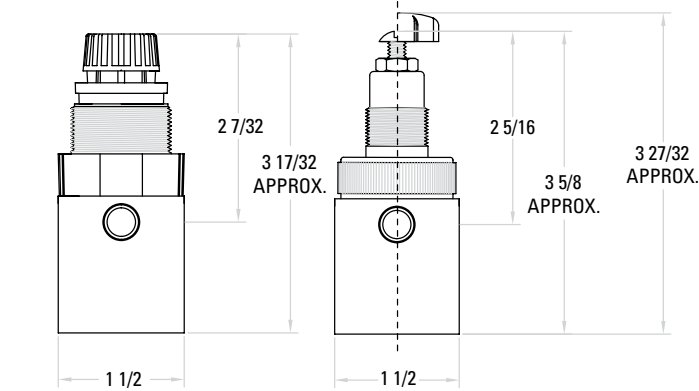
## SIZE 2

PLASTIC BONNET

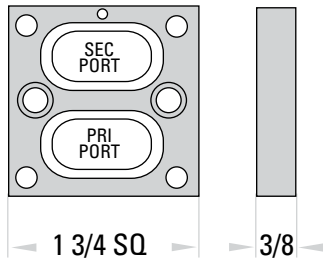
ALUMINUM BONNET

ALUMINUM BONNET

PLASTIC BONNET

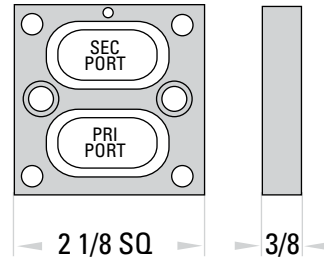


### Adaptor Plate Kit

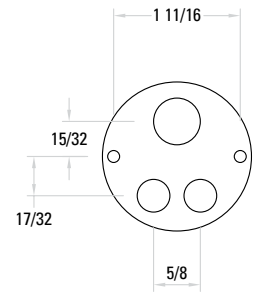


Order Part Number 11708

### Adaptor Plate Kit

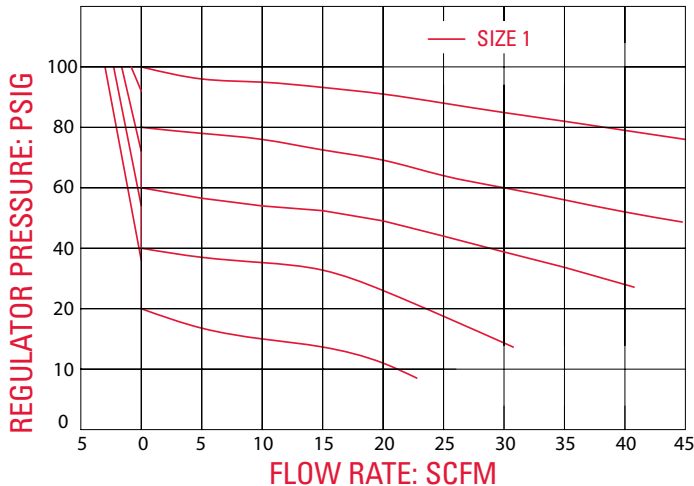


Order Part Number 11718



### Flow Characteristics

PRIMARY PRESSURE: 120 PSIG  
AVERAGE Cv=.97

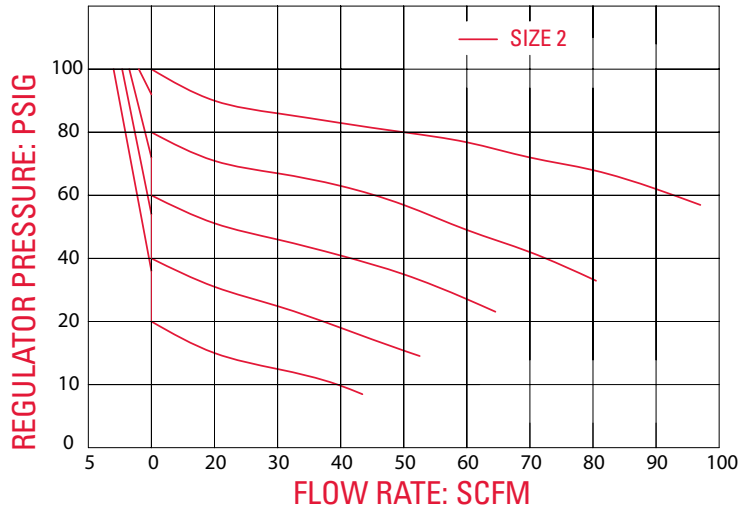


### INVERSE PRESSURE EFFECT

For each 25 PSI primary pressure change, the secondary pressure reacts inversely 1 PSI.

### Flow Characteristics

PRIMARY PRESSURE: 120 PSIG  
AVERAGE Cv=1.52

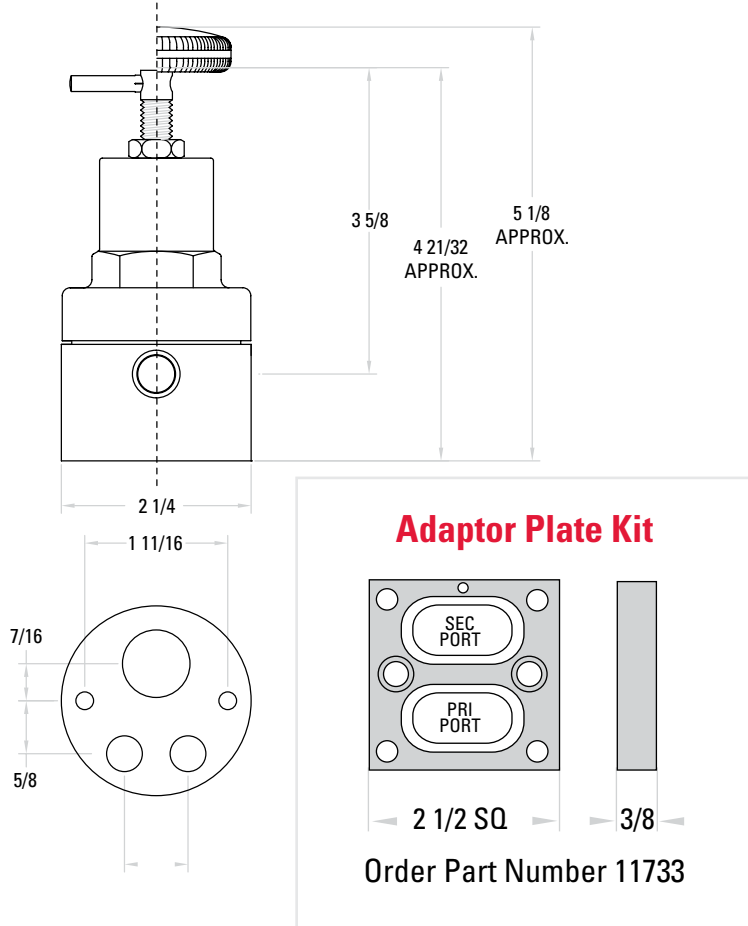


### INVERSE PRESSURE EFFECT

For each 50 PSI primary pressure change, the secondary pressure reacts inversely 1 PSI.

# SIZE 3

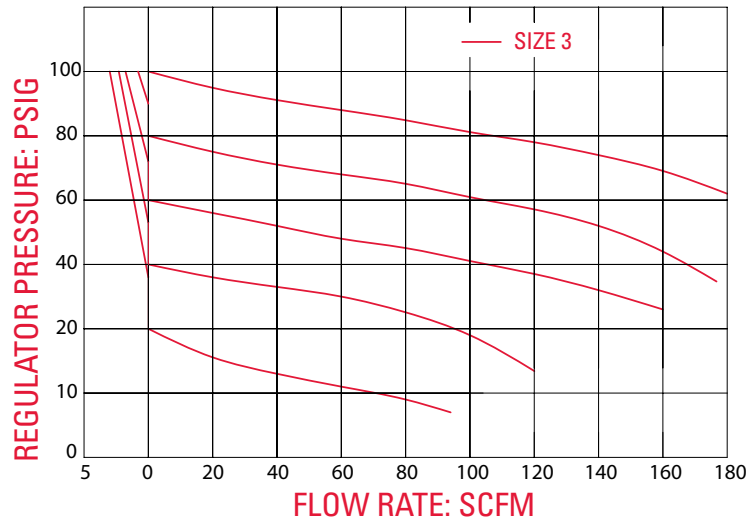
## ALUMINUM BONNET



## Flow Characteristics

PRIMARY PRESSURE: 120 PSIG

AVERAGE Cv=3.61



## INVERSE PRESSURE EFFECT

For each 50 PSI primary pressure change, the secondary pressure reacts inversely 1 PSI.



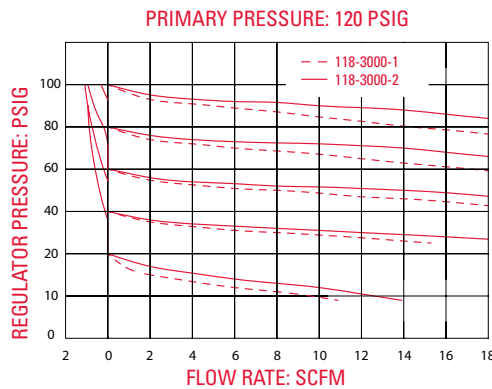
## Features

- Piston over diaphragm actuation for fast response and compact design
- Large flows with negligible pressure drop
- Two 1/4" NPT gauge ports
- 1/4" NPT pilot port

## Operating Specifications

**Maximum Pressure:** 250 PSI  
**Temperature:** 0-175°F  
**Pilot Port:** 1/8" NPT (3000 Series)  
 1/4" NPT (1000 Series)  
**Gauge Port:** 1/8" NPT (3000 Series)  
 1/4" NPT (1000 Series)

## Flow Characteristics

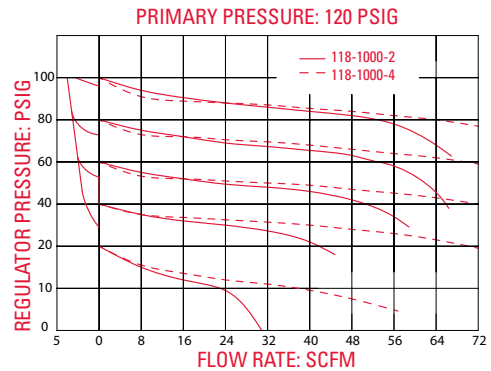


## Materials of Construction

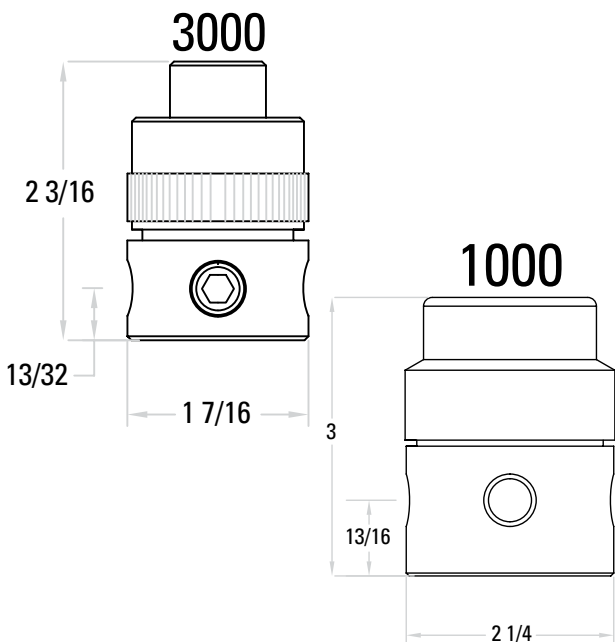
**Body:** Machined Aluminum  
**Piston:** Machined Aluminum  
**Air Cap:** Machined Aluminum  
**Poppet:** 3000 Series: Buna-N (fluorocarbon available)  
 1000 Series: Brass  
**Poppet Seat:** 3000 Series: Nylon; 1000 Series: Brass  
**Poppet Seal:** Buna-N (fluorocarbon available)  
**Diaphragm:** Buna-N (fluorocarbon available)

## Accessories & Kits

**3000 Series Repair Kit:**  
 13513 (Relieving); 13515 (Non-Relieving)  
**1000 Series Repair Kit:**  
 11536 (Relieving); 11535 (Non-Relieving)  
**Mounting Nut (3000 Series only):** 13025



## Dimensions



## Ordering Information

# 118-1000-4

Body Size	
Standard (1/4", 3/8", 1/2")	1
Miniature (1/8", 1/4")	3

Gauge Ports	
Yes	0
No (3000 Only)	1

Pipe Size	
1/8" (3000 Series Only)	1
1/4"	2
3/8"	3
1/2"	4

### OPTIONS

Anodizing	
No Anodizing (Standard)	Blank
Blue	A1
Black	A2
Clear	A3
Green	A4
Red	A5
Yellow	A6
Gold	A7
Purple	A8

Seals	
Buna-N	Blank
Fluorocarbon	V

Attachment Parts	
Gauge	G



## Features

- Piston over piston actuation for fast response and compact design
- Large flow with negligible pressure drop

## Operating Specifications

**Maximum Pressure:** 250 PSI  
**Temperature:** 175°F  
**Pilot Port:** 1/4" NPT  
**Gauge Ports:** 1/4" NPT

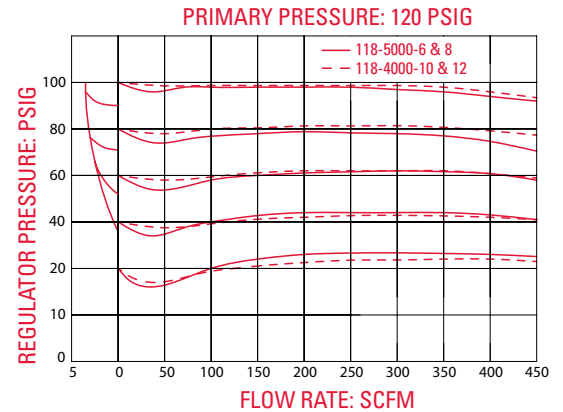
## Accessories & Kits

**Repair Kit:** 14516

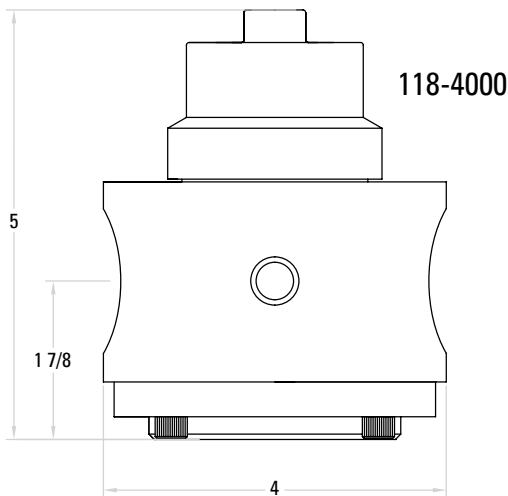
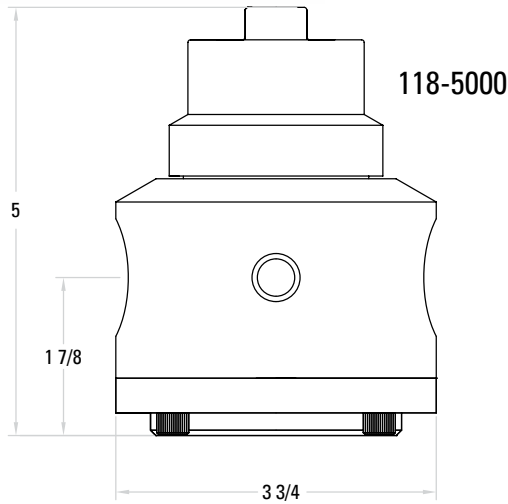
## Materials of Construction

**Body:** Machined Aluminum  
**Bonnet:** Machined Aluminum  
**Piston:** Machined Aluminum  
**Air Cap:** Machined Aluminum  
**Screws:** Zinc Plated Steel  
**Seals:** Buna-N (fluorocarbon available)  
**Poppet Spring:** Stainless Steel  
**Poppet Seat:** Brass  
**Poppet Valve:** Brass

## Flow Characteristics



## Dimensions



## Ordering Information

# 118-4000-6

Series	
5000 (3/4" & 1")	5
4000 (1 1/4" & 1 1/2")	4

Pipe Size	
3/4"	6
1"	8
1 1/4"	10
1 1/2"	12

### OPTIONS

Anodizing	
No Anodizing (Standard)	Blank
Blue	A1
Black	A2
Clear	A3
Green	A4
Red	A5
Yellow	A6
Gold	A7
Purple	A8
Seals	
Buna-N	Blank
Fluorocarbon	V
Attachment Parts	
Gauge	G



## Features

- Specifically designed for use with low-volume air flows or for dead-end service
- Ideal where space is at a premium
- True instrumentation quality
- Lightweight compact design
- Excellent repeatability
- Available as pilot operated

## Operating Specifications

**Maximum Pressure:** 250 PSIG  
**Temperature:** 0-175°F

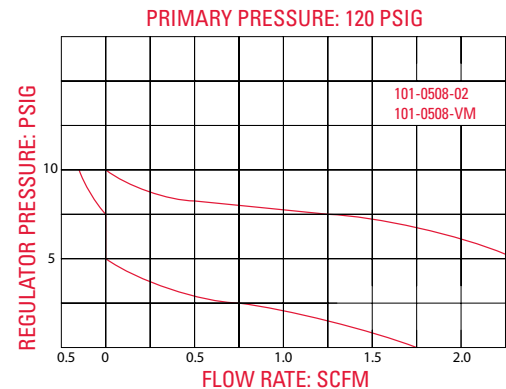
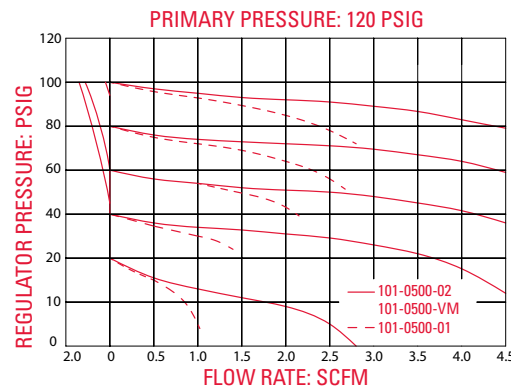
## Materials of Construction

- Body:** Anodized Aluminum
- Bonnet:** Anodized Aluminum
- Spring:** Spring Steel
- Adjustment Knob & Screw:** Plastic and Plated Steel
- Stem:** Brass
- Tube Fittings:** Brass
- Seals:** Buna-N (fluorocarbon available)
- Panel Nut:** Plated Steel
- Spring Guide:** Zinc Chromate Plated Steel
- Poppet Spring:** Stainless Steel
- Poppet Valve:** Buna-N (fluorocarbon available)

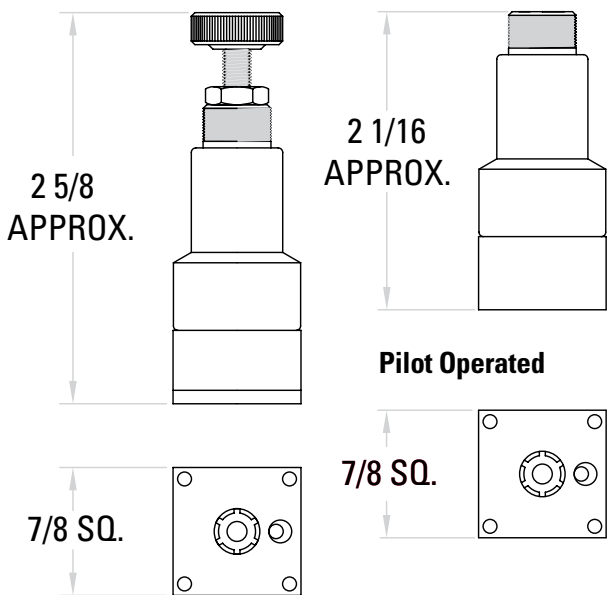
## Accessories & Kits

- Repair Kit:** 10502
- Panel Nut:** 10015
- Gasket Mounting Kit:** 10514 (VM option only)

## Flow Characteristics



## Dimensions



## Ordering Information

# 101-0500-01

Adjustment Style	
Compression Spring (standard)	01
Pilot Operated	18

Pressure Range	
0-100 Relieving	00
0-100 Non-Relieving	01
0-25 Relieving	04
0-25 Non-Relieving	05
1-10 Relieving	08
1-10 Non-Relieving	09

Connection Type	
1/16 ID Tubing Fitting	01
1/8 ID Tubing Fitting	02
Sub-base Mounted	VM

### OPTIONS

Anodizing	
No Anodizing (Standard)	Blank
Blue	A1
Black	A2
Clear	A3
Green	A4
Red	A5
Yellow	A6
Gold	A7
Purple	A8
Seals	
Buna-N	Blank
Fluorocarbon	V
Tamperproof	
Preset	P
Preset & Tamper-Proof	PT



## Features

- Monnier UL Label Regulators give the assurance of a UL-listed product
- Available in both miniature and standard sizes
- Excellent for use in dry fire sprinkler systems
- Same features as standard regulators (flow, dimensions, etc.)

## Accessories & Kits (104-1000)

**Panel Nuts:** 11124 (105 & 106)

**Repair Kit:**

(Relieving) 11513

(Relieving -1006) 11959;

(Non-Relieving) 11515

(Non-Relieving-1007) 11958

**Bracket:** 11122 (105 & 106); 11543 (104)

**Constant Bleed Fitting:** (1/4") 13557



## Accessories & Kits (111-3000)

**Repair Kit:**

(Relieving) 13532

(Non-Relieving) 13583

## Ordering Information

### 111-3000-1UL

Pressure Range		Options	
10-130 Relieving	0	Adjustment Knob	K
5-60 Relieving	2		

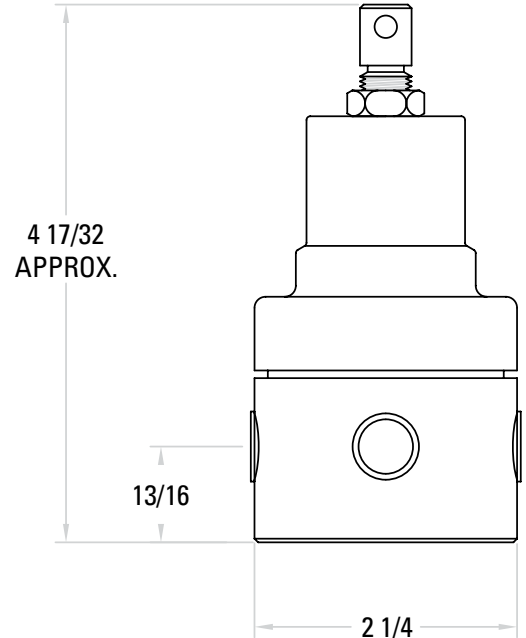
  

Pipe Size	
1/8"	1
1/4"	2

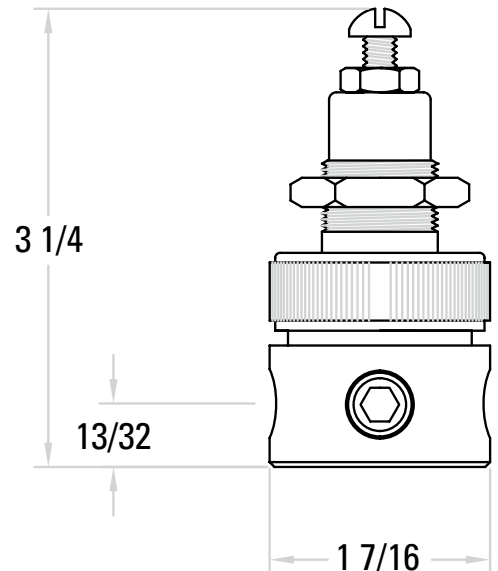
### 104-1000-2UL

Pressure Range		Pipe Size	
10-130 Relieving	0	1/4"	2
5-60 Relieving	2	3/8"	3
		1/2"	4

## Dimensions



104-1000



111-3000



## Features

- Available in 1/8" through 1/4" NPT
- Prevent over pressurization of downstream components

## Operating Specifications

**Gauge Ports:** 1/8" NPT  
**Maximum Inlet Pressure:** 250 PSIG  
**Temperature Range:** 0-175°F

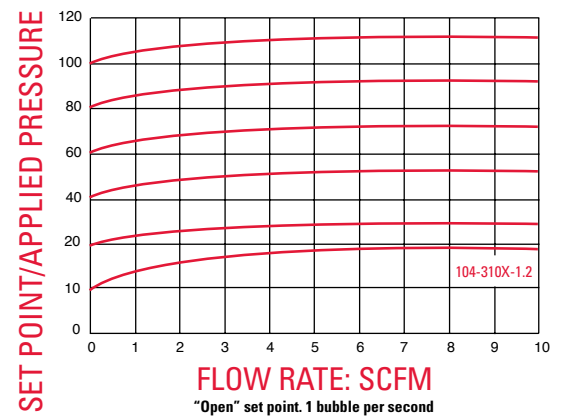
## Accessories & Kits

**Panel Nuts:**  
 13133 (104-3100 Series)  
 13025 (114/106-3100 Series)  
**Bracket Kits:**  
 13536 (104-3100 Series)  
 13534 (114/106-3100 Series)  
**Service Kits:**  
 13537 (Relieving)

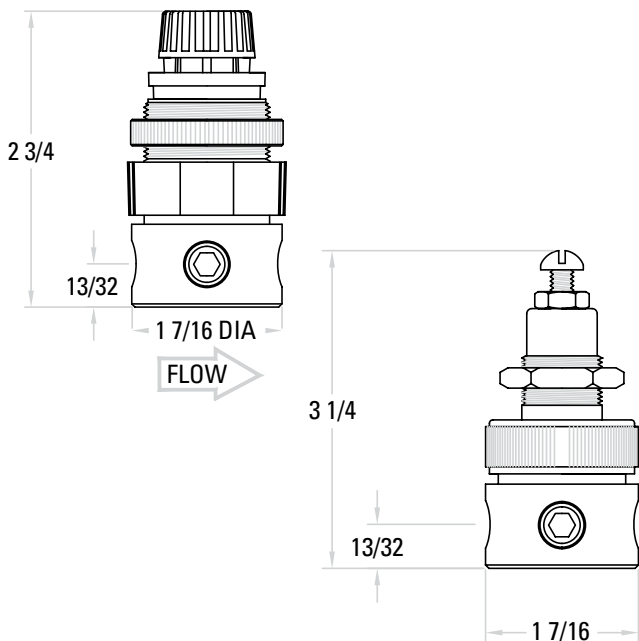
## Materials of Construction

**Body, Seat:** Machined Aluminum  
**Bonnet:**  
 104-3100: Polycarbonate  
 114/106-3100: Aluminum  
**Adjustment Screw:**  
 101-3000: Black Oxide Coated Steel  
 111/102-3000: Zinc Plated Steel (102 series)  
**Diaphragm:** Brass, Buna-N (fluorocarbon available)  
**Seals:** Buna-N (fluorocarbon available)  
**Bracket:** Zinc Plated Steel  
**Panel Nut:** Machined Aluminum

## Flow Characteristics



## Dimensions



## Ordering Information

### 104-3101-2

Bonnet	
Plastic Bonnet	04
Aluminum Bonnet (Panel Mounting)	06
Aluminum Bonnet (Pipe Mounting)	14

Gauge Ports	
Yes	0
No	1

Pressure Range	
10-130	1
5-60	3
3-30	5
20-250	7
1-10	9

### OPTIONS

Anodizing	
No Anodizing (Standard)	Blank
Blue	A1
Black	A2
Clear	A3
Green	A4
Red	A5
Yellow	A6
Gold	A7
Purple	A8

Seals	
Buna-N (standard)	Blank
Fluorocarbon	V

Pipe Size	
1/8"	1
1/4"	2