



## Features

- NACE MR0175 Compliant
- All metal components are 316 SS
- Available with stainless steel or acetal bonnet with locking ring
- Diaphragm design for greater accuracy, responsiveness and repeatability
- Fluorocarbon seals
- Threaded bowl and element retainer for easy maintenance
- Bowl seal held captive
- Manual or automatic drains

## Accessories

**Mounting Nut:** 13133SS (C01); 13025SS (B01)

## Operating Specifications

**Maximum Pressure:** 250 PSI  
**Maximum Temperature:** 200°F

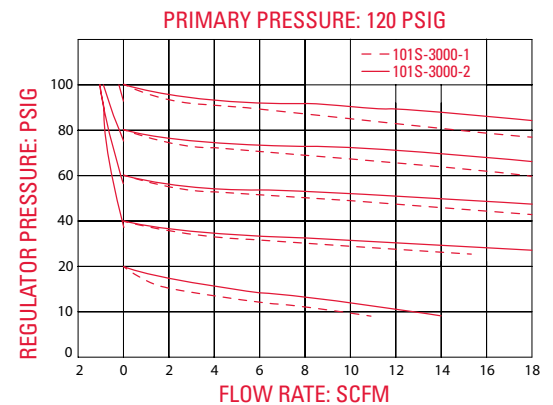
## Replacement Parts

<b>Repair Kit</b>	Relieving	13532SS
	Non-Relieving	13533SS
<b>Elements</b>	20 Micron	23004
	10 Micron	23025
	5 Micron	23040
<b>Bowl Kits w/Drains</b>	Manual Drain	23533SS
	Impulse Drain	23534SS

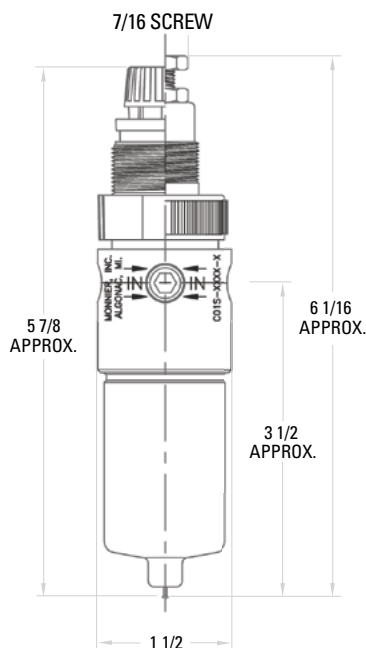
## Materials of Construction

- Body:** 316 Stainless Steel
- Bonnet:** 316 Stainless Steel (C01 Series); Acetal (B01 Series)
- Adjustment Screw:** 316 Stainless Steel
- Poppet:** Fluorocarbon
- Poppet Seat:** 316 Stainless Steel
- Diaphragm Assembly:** Fluorocarbon w/ 316 SS Components
- Seals:** Fluorocarbon
- Springs:** 316 Stainless Steel
- Bowl:** 316 Stainless Steel
- Whirl Disc:** 316 Stainless Steel
- Element Retainer:** Polypropylene
- Element:** Phenolic/Melamine Impregnated Cellulose
- Drain:** 316 Stainless Steel (Manual & Impulse)

## Flow Characteristics



## Dimensions



## Ordering Information

# B01S - 3200 - 2

Bonnet	
Acetal	B
316 SS	C

Pressure Range	
10-130 PSI Relieving	0
10-130 PSI Non-Relieving	1
5-60 Relieving	2
5-60 Non-Relieving	3
3-30 Relieving	4
3-30 Non-Relieving	5
20-250 Relieving	6
20-250 Non-Relieving	7
1-10 Relieving	8
1-10 Non-Relieving	9

Elements	
20 Micron	0
10 Micron	1
5 Micron	2

OPTIONS	
Seals	
FluorocarboN (Standard)	Blank
FDA Buna-N	X
Drain	
Manual (Standard)	Blank
Impulse (Automatic)	D

Pipe Size	
1/8"	1
1/4"	2