



Features

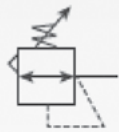
- Provides regulated pressure when flowing inlet to outlet
- Built-in check valve allows unrestricted reverse flow
- Allows regulator to be placed between valve and actuator to regulate cylinder ports independently
- Same accuracy, repeatability and responsiveness as standard 104-1000 regulators

Operating Specifications

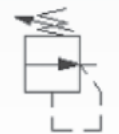
Gauge Ports: 1/4" NPT (Standard)
Maximum Inlet Pressure: 250 PSIG
Temperature Rating: Aluminum Bonnet: 0-175°F
Weight: 430 g

Accessories & Kits

Panel Nuts: 11124 (105 & 106)
Repair Kit: (Relieving) 11513;
 (Relieving -1006) 11959;
 (Non-Relieving) 11515;
 (Non-Relieving-1007) 11958
Bracket: 11122 (105 & 106); 11543 (104)
Constant Bleed Fitting: (1/4") 13557



Relieving

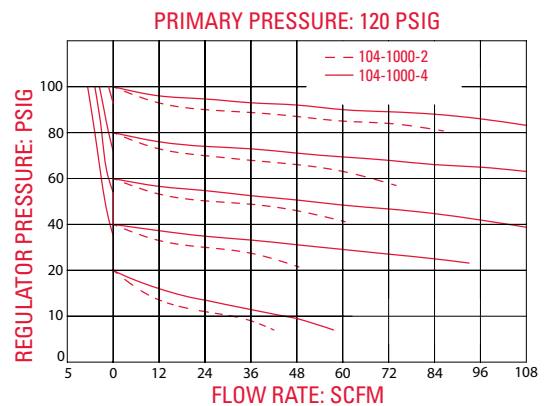


Non-Relieving

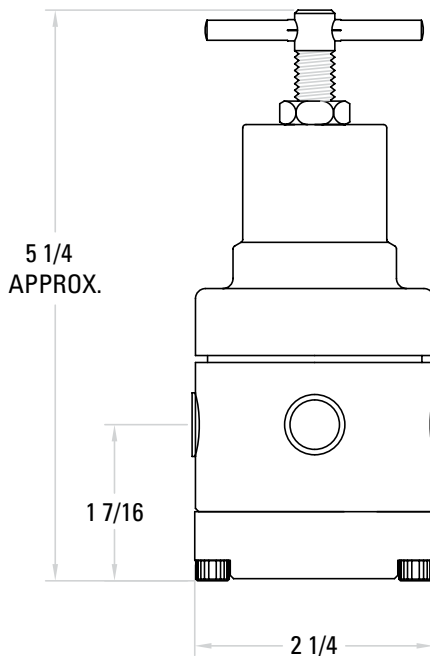
Materials of Construction

Body: Machined Aluminum
Bonnet: Aluminum
Adjustment Screw: Zinc Plated Steel
Poppet Valve: Brass
Poppet Spring: Stainless Steel
Poppet Seat: Brass
Diaphragm Assembly: Buna-N and Brass (fluorocarbon available)
Seals: Buna-N (fluorocarbon available)
Compression Spring: Zinc Plated Steel
Check Valve Ball: Buna-N (fluorocarbon available)
Check Valve Spring: Stainless Steel
Check Valve Cover: Machined Aluminum

Flow Characteristics



Dimensions



Ordering Information

104C-1000-2

Thread Options	
Unthreaded Bonnet	4
Threaded bonnet w/ Nuts	5
Threaded Bonnet w/ Bracket and Nuts	6

Pressure	
10-130 Relieving	00
10-130 Non-Relieving	01
5-60 Relieving	02
5-60 Non-Relieving	03
3-30 Relieving	04
3-30 Non-Relieving	05
20-250 Relieving	06
20-250 Non-Relieving	07

Pipe Size	
1/4"	2
3/8"	3
1/2"	4

OPTIONS

Anodizing	
No Anodizing (Standard)	Blank
Blue	A1
Black	A2
Clear	A3
Green	A4
Red	A5
Yellow	A6
Gold	A7
Purple	A8
Seals	
Buna-N	Blank
Fluorocarbon	V
Attachment Parts	
Gauge	G
Knob	K
Tamperproof	
Tamper-Proof (Lock & Key)	T
Preset	P
Preset & Tamper-Proof (Lock & Key)	PT